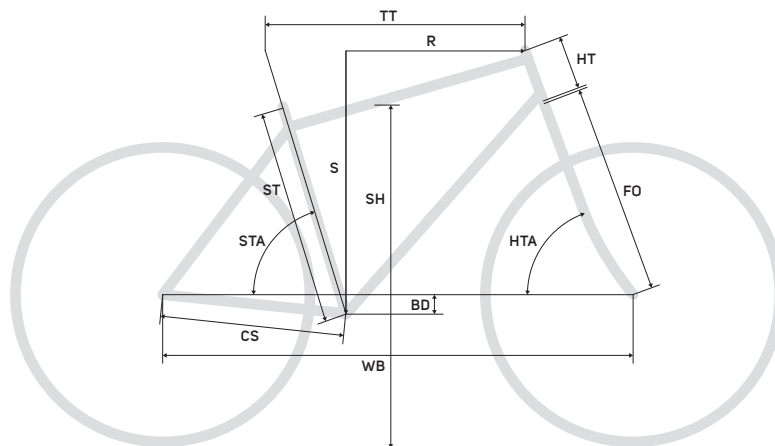


# eONE-SIXTY

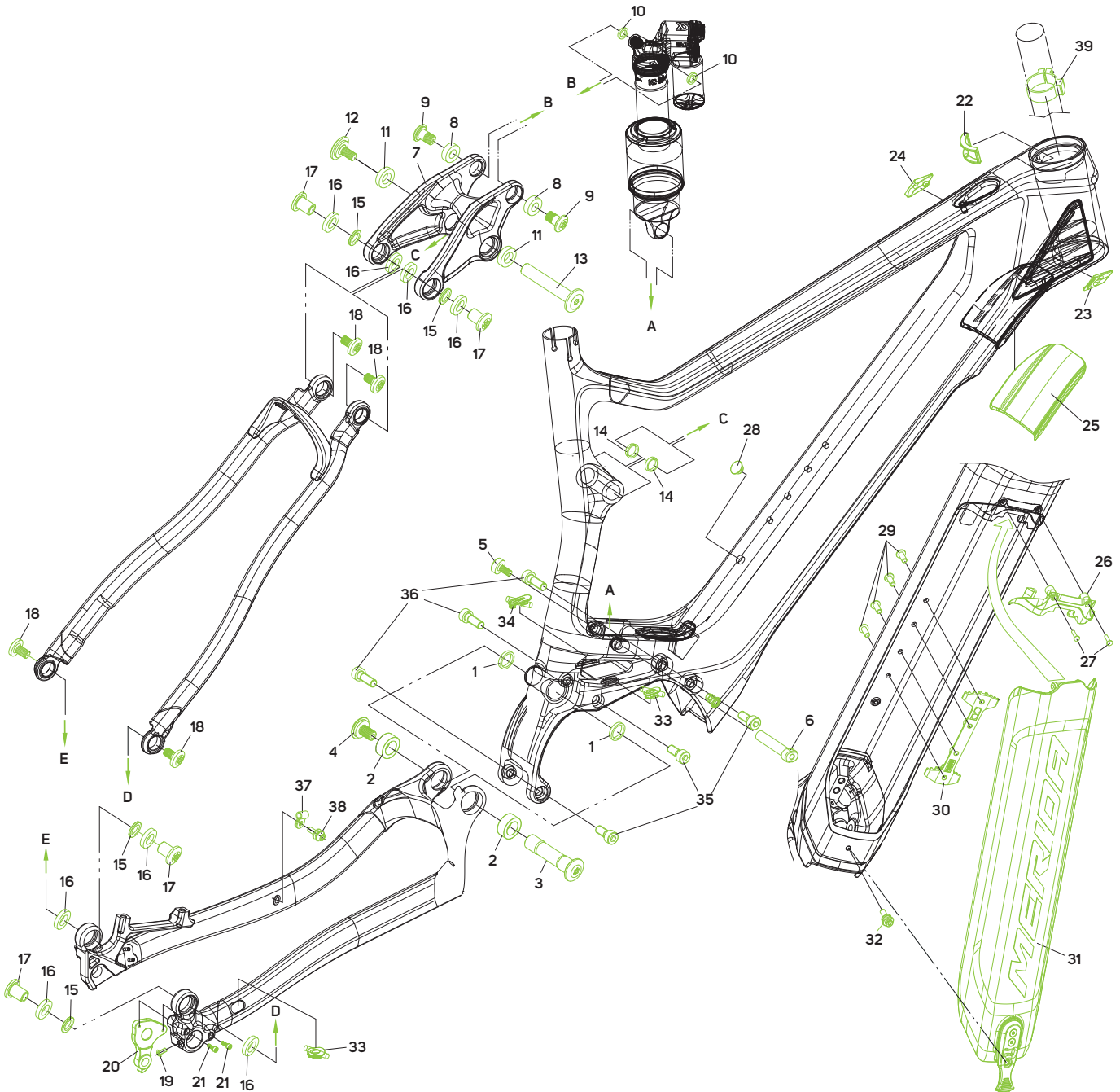
FRAME	CFA	LITE II
<b>MAX. WHEELSIZE</b>	27.5x2.8"	27.5x2.8"
<b>HEAD TUBE</b>		
TAPERED 1-1/8" - 1.5"		•
1.5" - 1.5"	•	
<b>HEADSET</b>		
SEMI-INTEGRATED (44-55 MM)		•
INTEGRATED	•	
<b>BRAKE STANDARD</b>		
DISC BRAKE ON CHAIN STAY	•	•
POST MOUNT 180 MM REAR BRAKE	•	•
<b>SEATPOST DIAMETER</b>		
30.9 MM	•	•
<b>REAR DROPOUT-STANDARD</b>		
THRU AXLE 12X148 MM	•	•
<b>CABLE ROUTING</b>		
INTERNAL SHIFTING CABLES	•	•
INTERNAL BRAKE CABLE	•	•
INTERNAL SEAT POST CABLE	•	•
<b>DI2-READY</b>		
	•	•
<b>MOTOR INTERFACE</b>	Shimano Type 2	Shimano Type 2
<b>BATTERY</b>	Shimano E8035	Shimano E8010
<b>SPEEDSENSOR MOUNT</b>	SM-DUE11	SM-DUE10
<b>RD HANGER</b>	DH-057	



eONE-SIXTY CFA					
	XS	S	M	L	XL
<b>FS</b> frame size					
<b>ST</b> seat tube [mm]	405	420	440	470	500
<b>TT</b> top tube [mm]	562,5	583,5	605	628,5	652
<b>HT</b> head tube [mm]	110	115	120	135	150
<b>HTA</b> head tube angle [°]	65,5	65,5	65,5	65,5	65,5
<b>STA</b> seat tube angle [°]	75,5	75,5	75,5	75,5	75,5
<b>CS</b> chain stay length [mm]	439,5	439,5	439,5	439,5	439,5
<b>BD</b> bottom bracketed drop [mm]	17,5	17,5	17,5	17,5	17,5
<b>FO</b> fork length [mm]	571	571	571	571	571
<b>S</b> stack [mm]	628,5	633	637,5	651,5	665
<b>R</b> reach [mm]	400	420	440	460	480
<b>WB</b> wheel base [mm]	1168	1190	1212	1238,5	1264,5

eONE-SIXTY LITE				
	XS	S	M	XL
<b>FS</b> frame size				
<b>ST</b> seat tube [mm]	405	420	440	500
<b>TT</b> top tube [mm]	562,5	583,5	605	652
<b>HT</b> head tube [mm]	110	115	120	150
<b>HTA</b> head tube angle [°]	65,5	65,5	65,5	65,5
<b>STA</b> seat tube angle [°]	75,5	75,5	75,5	75,5
<b>CS</b> chain stay length [mm]	439,5	439,5	439,5	439,5
<b>BD</b> bottom bracketed drop [mm]	17,5	17,5	17,5	17,5
<b>FO</b> fork length [mm]	571	571	571	571
<b>S</b> stack [mm]	628,5	633	637,5	665
<b>R</b> reach [mm]	400	420	440	480
<b>WB</b> wheel base [mm]	1168	1190	1212	1264,5

eONE-SIXTY CFA



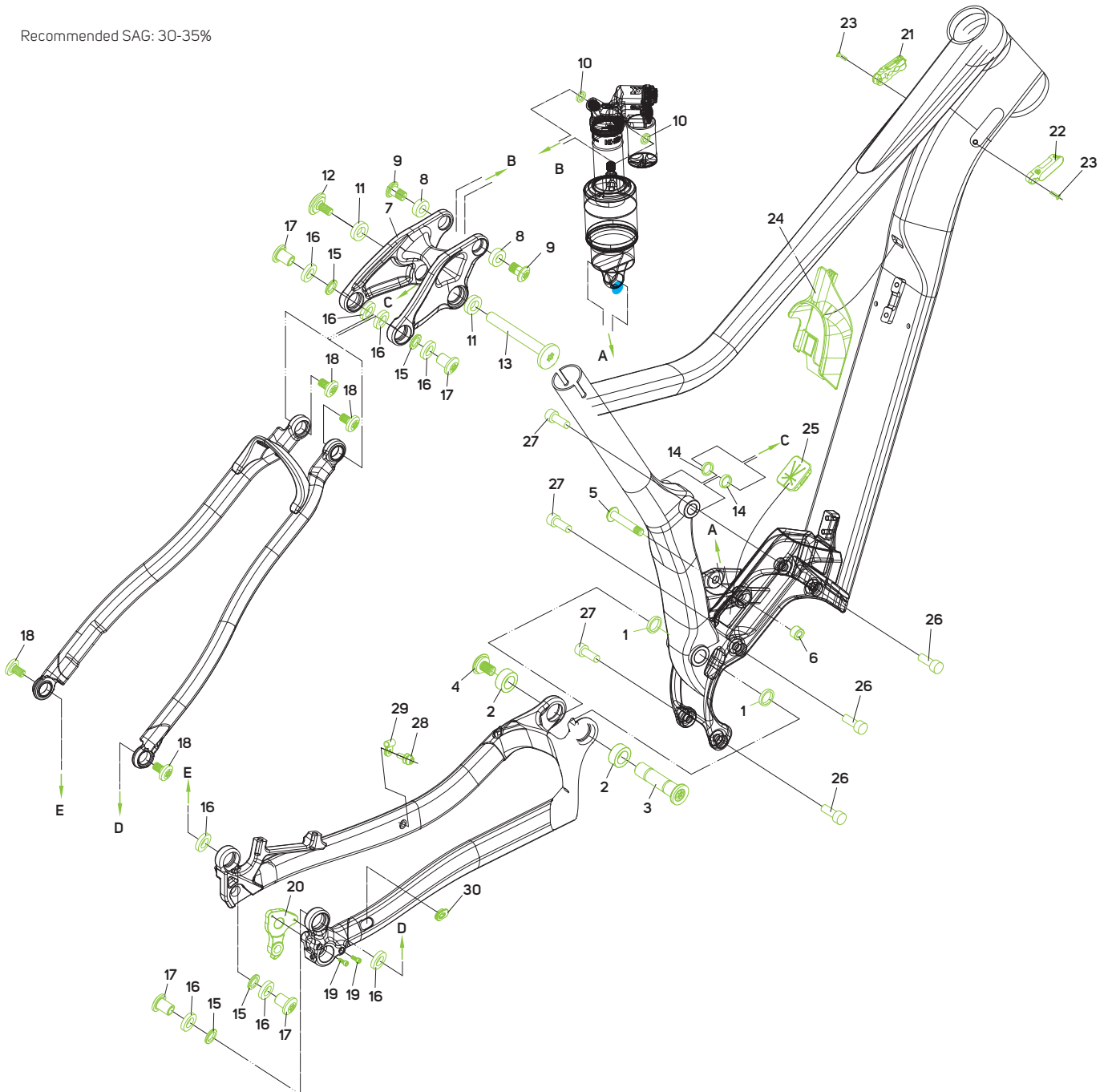
NO.	ITEM NO.	ITEM	DETAIL INFORMATION	PIECES	TORQUE NM
1	2294001180	WASHER		2	
2	2221002395	BEARING	3802V-2RS 24D*15D*7W	2	
3	2300012662	BOLT		1	
4	2300012673	SCREW		1	18
5	2300014426	SCREW		1	12
6	2300014103	BOLT		1	
7		ROCKER		1	
8	2221002254	BEARING	6800V2RS 19D*10D*5W- 6800V2RS 19D*10D*5W	2	
9	2300011865	SCREW		2	16
10	2294004633	WASHER		2	
11	2221002265	BEARING	6801V-2RS 21D*12D*5W6801V-2RS 21D*12D*5W	2	
12	2300012695	SCREW		1	14
13	2300012684	BOLT		1	
14	2294002255	WASHER		2	
15	2294004826	WASHER		4	
16	2221002328	BEARING	12214V-2RS 21D*12D*4W12214V-2RS 21D*12D*4W	8	
17	2300012703	BOLT		4	
18	2300012714	SCREW		4	14

NO.	ITEM NO.	ITEM	DETAIL INFORMATION	PIECES	TORQUE NM
19	2300005272	SCREW		1	5
20	2311005101	HANGER	DH-057DH-057	1	
21	2300010950	SCREW		2	4
22	2029000856	BUMPER		1	
23	2258005535	CABLE GUIDE		1	
24	2258005546	CABLE GUIDE		1	
25	2029000845	BUMPER		1	
26	2161001314	COVER MOUNT		1	
27	2300011412	SCREW		2	4
28	2143003718	PLUG		1	
29	2298011283	SCREW		4	5
30	2161001303	CABLE GUIDE		1	
31	2161001660	ENGERY GUARD		1	
32	2300014857	SCREW		1	5
33	2258003801	CABLE GUIDE		2	
34	2258004943	CABLE GUIDE		1	
35	2300012101	SCREW		3	12
36	2300012112	SCREW		3	12
37	2258001133	CABLE GUIDE		1	
38	2298002501	SCREW		1	5
39	2248001919	INTERNAL BINTER LOCK CLAMP		1	

# eONE-SIXTY

MM	SHAFT EYELET		● BODY EYELET	
	PIN WIDTH	PIN ID	PIN WIDTH	PIN ID
205 x 65 mm	-	-	40 mm	8 mm

Recommended SAG: 30-35%

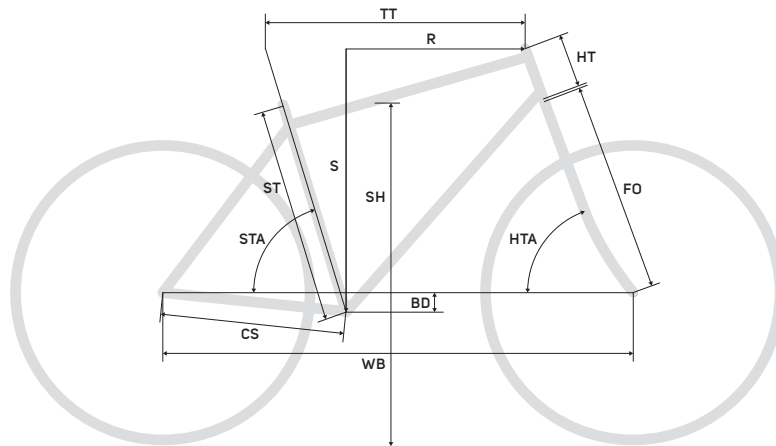


NO.	ITEM NO.	ITEM	DETAIL INFORMATION	PIECES	TORQUE NM
1	2294001180	WASHER		2	
2	2221002191	BEARING	3802V-2RD 24D*15D*7W	2	
3	2300012662	BOLT		1	
4	2300012673	SCREW		1	18
5	2300011876	BOLT		1	14
6	2302002127	NUT		1	
7		ROCKER		1	
8	222100254	BEARING	6800V2RS 19D*10D*5W	2	
9	2300011865	SCREW		2	16
10	2294004633	WASHER		2	
11	2221002265	BEARING	6801V-2RS 21D*12D*5W	2	
12	2300012695	SCREW		1	14
13	2300012684	BOLT		1	
14	2294002255	WASHER		2	
15	2294004826	WASHER		4	
16	2221002328	BEARING	12214V-2RS 21D*12D*4W	8	

NO.	ITEM NO.	ITEM	DETAIL INFORMATION	PIECES	TORQUE NM
17	2300012703	BOLT		4	
18	2300012714	SCREW		4	14
19	2300010950	SCREW		2	4
20	2311005101	DROPOUT_DH-057	see page 444	1	
21		SMART ENTRY	see page 443		
22		SMART ENTRY	see page 443		
23	2300011412	SCREW		2	4
24	2161000681	BATTERY COVER	FOR SIZE S, L	1	
24	2161000670	BATTERY COVER	FOR SIZE M, XL	1	
25	2143002869	PLUG		1	
26	2300012101	SCREW		3	12
27	2300012112	SCREW		3	12
28	2298002501	SCREW		1	7
29	2258000217	CABLE GUIDE		1	
30	2258003801	CABLE GUIDE		1	

# eONE-FORTY

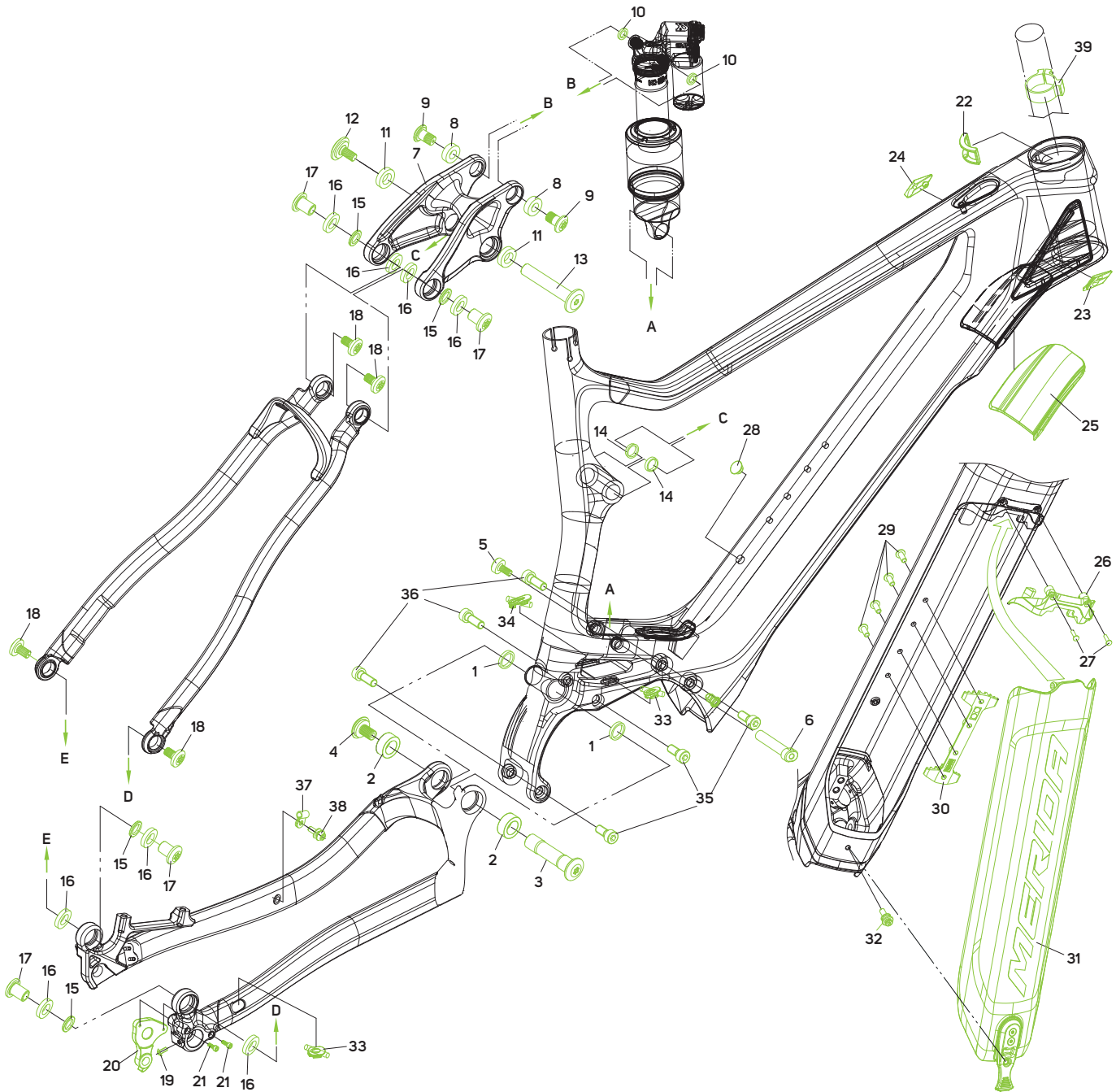
FRAME	CFA
MAX. WHEELSIZE	27.5x2.8"
<b>HEAD TUBE</b>	
TAPERED 1-1/8" - 1.5"	•
<b>HEADSET</b>	
INTEGRATED	•
<b>BRAKE STANDARD</b>	
DISC BRAKE ON CHAIN STAY	•
POST MOUNT 180 MM REAR BRAKE	•
<b>SEATPOST DIAMETER</b>	
30.9 MM	•
<b>REAR DROPOUT-STANDARD</b>	
THRU AXLE 12X148 MM	•
<b>CABLE ROUTING</b>	
INTERNAL SHIFTING CABLES	•
INTERNAL BRAKE CABLE	•
INTERNAL SEAT POST CABLE	•
<b>DI2-READY</b>	
	•
MOTOR INTERFACE	Shimano Type 2
BATTERY	Shimano E8035
SPEEDSENSOR MOUNT	SM-DUE11
RD HANGER	DH-057



eONE-FORTY CFA					
	S	M	L	XL	XXL
FS frame size					
ST seat tube [mm]	405	420	440	470	500
TT top tube [mm]	560,5	581,5	602,5	626	649,5
HT head tube [mm]	110	115	120	135	150
HTA head tube angle [°]	66,5	66,5	66,5	66,5	66,5
STA seat tube angle [°]	76,5	76,5	76,5	76,5	76,5
CS chain stay length [mm]	439,5	439,5	439,5	439,5	439,5
BD bottom bracket drop [mm]	24	24	24	24	24
FO fork length [mm]	551	551	551	551	551
S stack [mm]	622	626,5	631	644,5	658
R reach [mm]	410	429,5	449,5	469,5	489,5
WB wheel base [mm]	1160	1182	1204	1230,5	1256,5



eONE-FORTY CFA

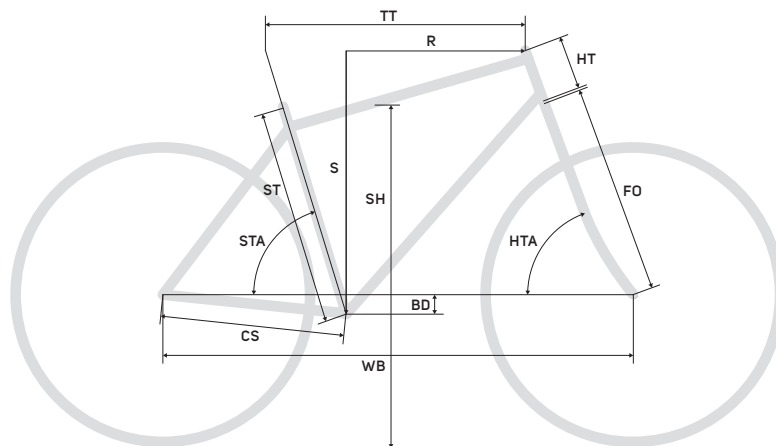


NO.	ITEM NO.	ITEM	DETAIL INFORMATION	PIECES	TORQUE NM
1	2294001180	WASHER		2	
2	2221002395	BEARING	3802V-2RS 24D*15D*7W	2	
3	2300012662	BOLT		1	
4	2300012673	SCREW		1	18
5	2300014426	SCREW		1	12
6	2300014103	BOLT		1	
7		ROCKER		1	
8	2221002254	BEARING	6800V2RS 19D*10D*5W- 6800V2RS 19D*10D*5W	2	
9	2300011865	SCREW		2	16
10	2294004633	WASHER		2	
11	2221002265	BEARING	6801V-2RS 21D*12D*5W6801V-2RS 21D*12D*5W	2	
12	2300012695	SCREW		1	14
13	2300012684	BOLT		1	
14	2294002255	WASHER		2	
15	2294004826	WASHER		4	
16	2221002328	BEARING	12214V-2RS 21D*12D*4W12214V-2RS 21D*12D*4W	8	
17	2300012703	BOLT		4	
18	2300012714	SCREW		4	14

NO.	ITEM NO.	ITEM	DETAIL INFORMATION	PIECES	TORQUE NM
19	2300005272	SCREW		1	5
20	2311005101	HANGER	DH-057DH-057	1	
21	2300010950	SCREW		2	4
22	2029000856	BUMPER		1	
23	2258005535	CABLE GUIDE		1	
24	2258005546	CABLE GUIDE		1	
25	2029000845	BUMPER		1	
26	2161001314	COVER MOUNT		1	
27	2300011412	SCREW		2	4
28	2143003718	PLUG		1	
29	2298011283	SCREW		4	5
30	2161001303	CABLE GUIDE		1	
31	2161001660	ENGERY GUARD		1	
32	2300014857	SCREW		1	5
33	2258003801	CABLE GUIDE		2	
34	2258004943	CABLE GUIDE		1	
35	2300012101	SCREW		3	12
36	2300012112	SCREW		3	12
37	2258001133	CABLE GUIDE		1	
38	2298002501	SCREW		1	5
39	2248001919	INTERNAL BINTER LOCK CLAMP		1	

# eONE-TWENTY

FRAME	eONE-TWENTY
MAX. WHEELSIZE	27.5x2.8"
<b>HEAD TUBE</b>	
TAPERED 1-1/8" - 1.5"	•
<b>HEAD SET</b>	
SEMI-INTEGRATED (44-55 MM)	•
<b>BRAKE STANDARD</b>	
DISC BRAKE ON CHAIN STAY	•
POST MOUNT 180 MM REAR BRAKE	•
<b>SEATPOST DIAMETER</b>	
30.9 MM	•
<b>REAR DROPOUT-STANDARD</b>	
THRU AXLE 12X148 MM	•
<b>CABLE ROUTING</b>	
INTERNAL SHIFTING CABLES	•
INTERNAL BRAKE CABLE	•
INTERNAL SEAT POST CABLE	•
<b>DI2-READY</b>	
	•
MOTOR INTERFACE	Shimano Type 2
BATTERY	Shimano E8010
SPEEDSENSOR MOUNT	SM-DUE10
RD HANGER	DH-057

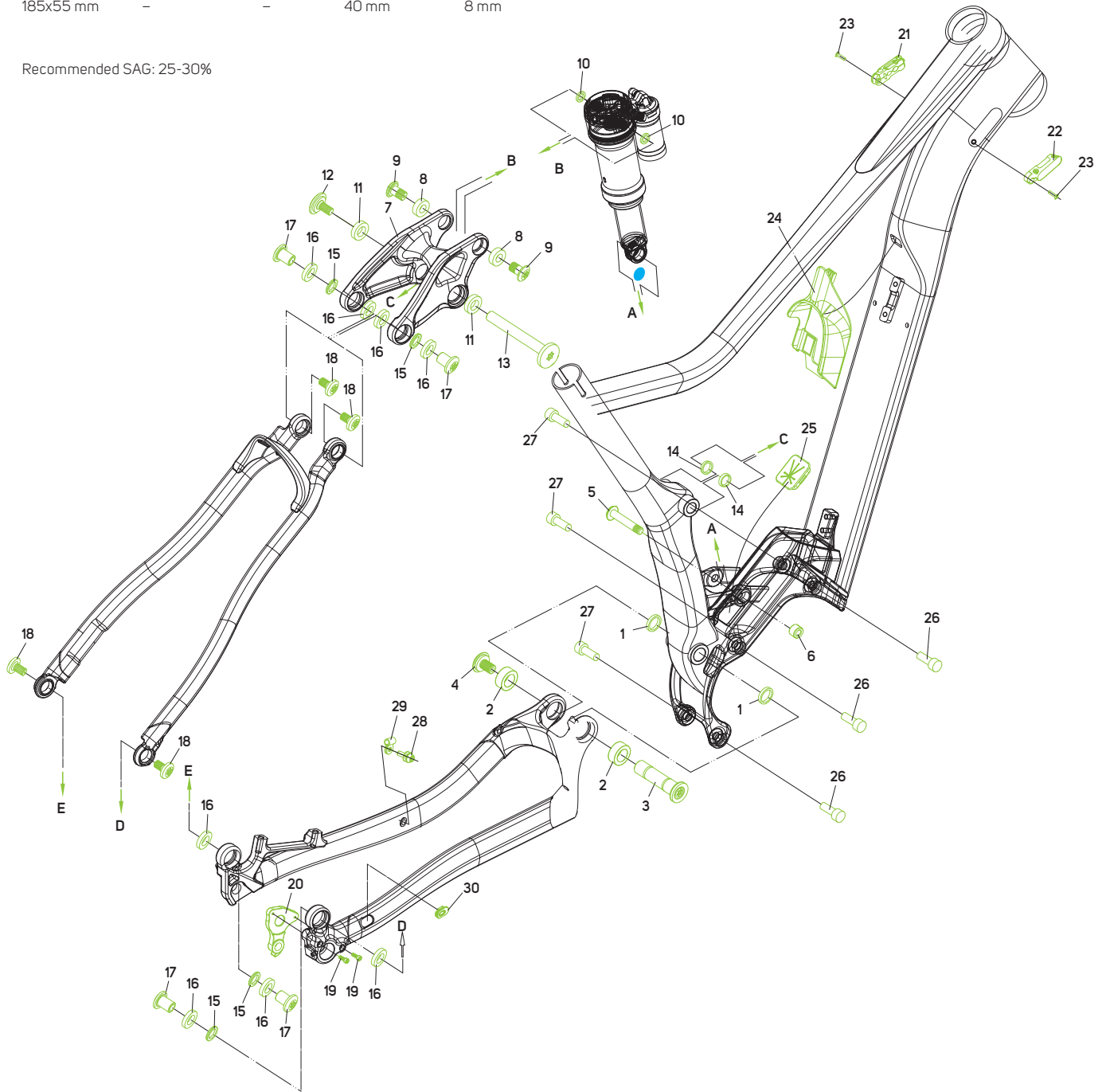


eONE-FORTY CFA	S	M	L	XL
FS frame size				
ST seat tube [mm]	400	440	490	540
TT top tube [mm]	583	601	623	646
HT head tube [mm]	110	120	130	140
HTA head tube angle [°]	67.5	67.5	67.5	67.5
STA seat tube angle [°]	75	75	75	75
CS chain stay length [mm]	439.5	439.5	439.5	439.5
BD bottom bracketed drop [mm]	27.5	27.5	27.5	27.5
FO fork length [mm]	541	541	541	541
S stack [mm]	609	619	628	637
R reach [mm]	420	435	455	475
WB wheel base [mm]	1155	1174	1198	1221

# eONE-TWENTY

MM	SHAFT EYELET		● BODY EYELET	
	PIN WIDTH	PIN ID	PIN WIDTH	PIN ID
185x55 mm	-	-	40 mm	8 mm

Recommended SAG: 25-30%

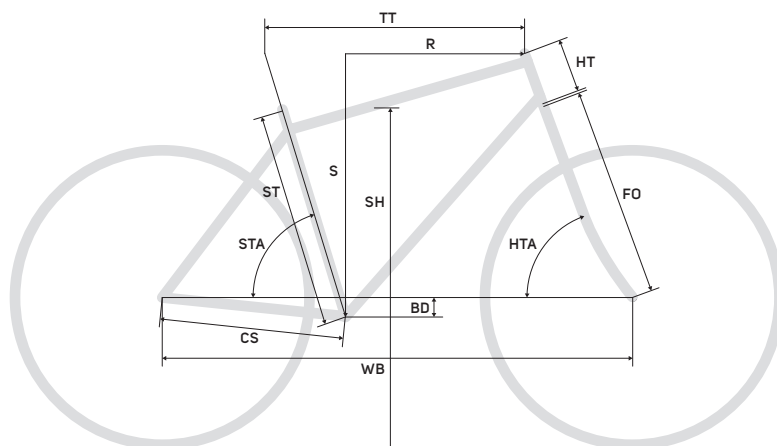


NO.	ITEM NO.	ITEM	DETAIL INFORMATION	PIECES	TORQUE NM
1	2294001180	WASHER		2	
2	2221002191	BEARING	3802V-2RD 24D*15D*7W	2	
3	2300012662	BOLT		1	
4	2300012673	SCREW		1	18
5	2300011876	BOLT		1	14
6	2302002127	NUT		1	
7		ROCKER		1	
8	2221002254	BEARING	6800V2RS 19D*10D*5W	2	
9	2300011865	SCREW		2	16
10	2294004633	WASHER		2	
11	2221002265	BEARING	6801V-2RS 21D*12D*5W	2	
12	2300012695	SCREW		1	14
13	2300012684	BOLT		1	
14	2294002255	WASHER		2	
15	2294004826	WASHER		4	
16	2221002328	BEARING	12214V-2RS 21D*12D*4W	8	

NO.	ITEM NO.	ITEM	DETAIL INFORMATION	PIECES	TORQUE NM
17	2300012703	BOLT		4	
18	2300012714	SCREW		4	14
19	2300010950	SCREW		2	4
20	2311005101	DROPOUT_DH-057	see page 444	1	
21		SMART ENTRY	see page 443		
22		SMART ENTRY	see page 443		
23	2300011412	SCREW		2	4
24	2161000681	BATTERY COVER	FOR SIZE S AND L	1	
24	2161000670	BATTERY COVER	FOR SIZE M	1	
25	2143002869	PLUG		1	
26	2300012101	SCREW		3	16
27	2300012112	SCREW		3	16
28	2298002501	SCREW		1	7
29	2258000217	CABLE GUIDE		1	
30	2258003801	CABLE GUIDE		1	

# eBIG.NINE / SEVEN

FRAME	eBIG.NINE LITE II	eBIG.NINE/SEVEN LITE
<b>MAX. WHEELSIZE</b>	29x2.35" without fender 29x2.25" with fender	27.5x2.25" / 29x2.25"
<b>HEAD TUBE</b>		
TAPERED 1-1/8" - 1.5"		•
1.5"-1.5"	•	
<b>HEADSET</b>		
SEMI-INTEGRATED (44-55 MM)		•
INTEGRATED	•	
<b>BRAKE STANDARD</b>		
DISC BRAKE ON CHAIN STAY	•	•
POST MOUNT 180 MM REAR BRAKE	•	•
<b>SEATPOST DIAMETER</b>		
30.9 MM		•
34.9 MM	•	
<b>REAR DROPOUT-STANDARD</b>		
THRU AXLE 12X148 MM	•	•
<b>CABLE ROUTING</b>		
INTERNAL SHIFTING CABLES	•	•
INTERNAL BRAKE CABLE	•	•
INTERNAL SEAT POST CABLE	•	•
<b>DI2-READY</b>		
	•	•
<b>EQUIPMENT OPTIONS</b>		
PLETSCHER 18 MM	•	•
CARRIER MOUNT FRAME	•	•
FENDER MOUNT FRAME	•	•
<b>MOTOR INTERFACE</b>	Shimano Type 2	Shimano Type 2
<b>BATTERY</b>	Shimano E8035	Shimano E8010
<b>SPEEDSENSOR MOUNT</b>	SM-DUE11	SM-DUE11
<b>RD HANGER</b>		DH-057



FS = ST frame size = seat tube [mm] TT top tube [mm] HT head tube [mm]  
 HTA head tube angle [°] STA seat tube angle [°] CS chain stay length [mm] BD bottom bracketed drop [mm]  
 FO fork length [mm] SH stand over height [mm] S stack [mm] R reach [mm] WB wheel base [mm]

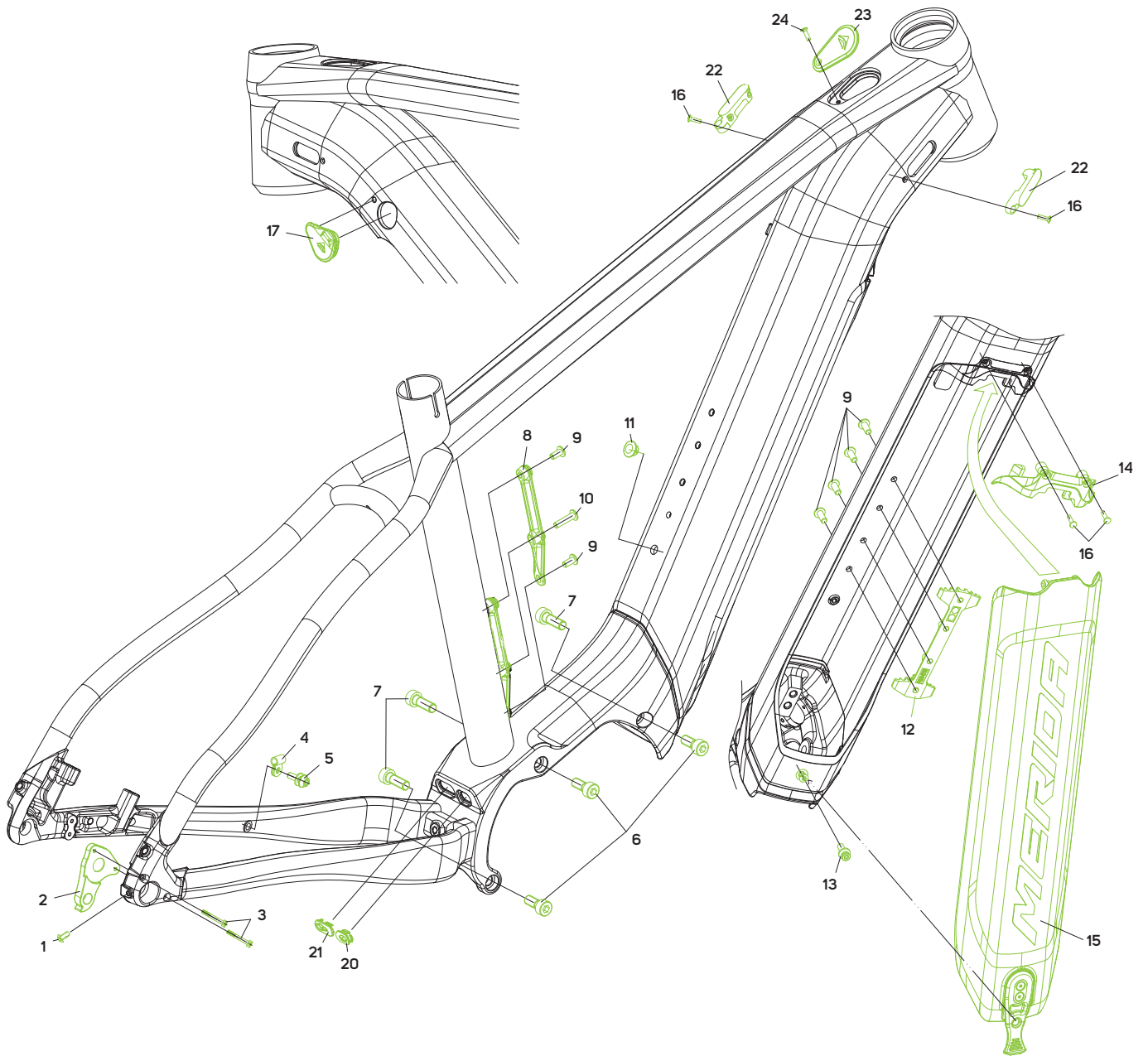
## eBIG.NINE LITE II

FS	S	M	L	XL
TT	575	590	610	630
ST	380	430	480	530
CS	465	465	465	465
HTA	68	68	68	68
STA	74,5	74,5	74,5	74,5
BD	52,5	52,5	52,5	52,5
HT	110	120	130	140
FO	506	506	506	506
R	404,5	417	434,5	452
STA	614,5	624	633	642,5
WB	1143	1160	1181	1202

## eBIG.SEVEN eBIG.NINE

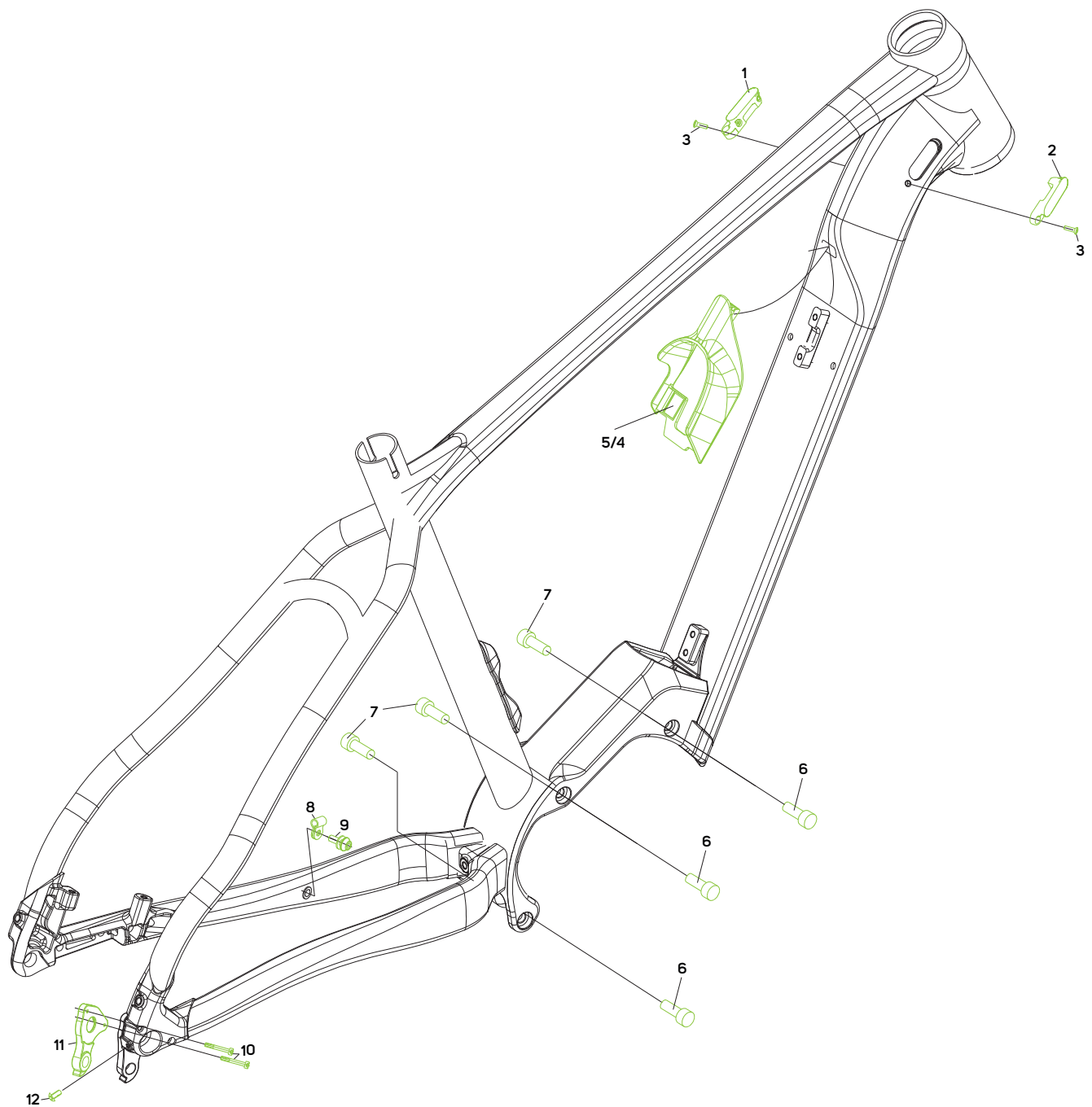
	27.5"	27.5"	29"	29"	29"
FS	S	M	M	L	XL
ST	380	430	430	480	530
TT	570	590	590	610	630
HT	125	135	115	125	135
HTA	68	68	69,5	69,5	69,5
STA	73,5	73,5	73,5	73,5	73,5
CS	438	438	458	458	458
BD	27	27	65	65	65
FO	487	487	511	511	511
S	579	588	634	643	652
R	399	416	402	420	437
WB	1104	1125	1123	1143	1164

# eBIG.NINE INTUBE



NO.	ITEM NO.	ITEM	DETAIL INFORMATION	PIECES	TORQUE NM
1	2300005272	SCREW		1	
2	2311005101	HANGER	DH-057DH-057	1	
3	2300010950	SCREW		2	4
4	2258001133	CABLE GUIDE		1	
5	2298002501	SCREW		1	5
6	2300012101	SCREW		3	12
7	2300012112	SCREW		3	12
8	2136001371	BC-MOUNT		1	
9	2298011283	SCREW		6	5
10	2298011164	SCREW		1	5

NO.	ITEM NO.	ITEM	DETAIL INFORMATION	PIECES	TORQUE NM
11	2143003600	PLUG		1	
12	2161001303	CABLE GUIDE		1	
13	2300014857	SCREW		1	5
14	2161001314	COVERT MOUNT		1	
15	2161001660	ENERGY GUAE		1	
16	2300011412	SCREW		4	4
17	2143003611	PLUG		1	
20	2258004471	CABLE GUIDE		1	
21	2258004943	CABLE GUIDE		1	
22		SMART ENTRY			
23	2161001671	COVER		1	
24	2300011810	SCREW		1	4

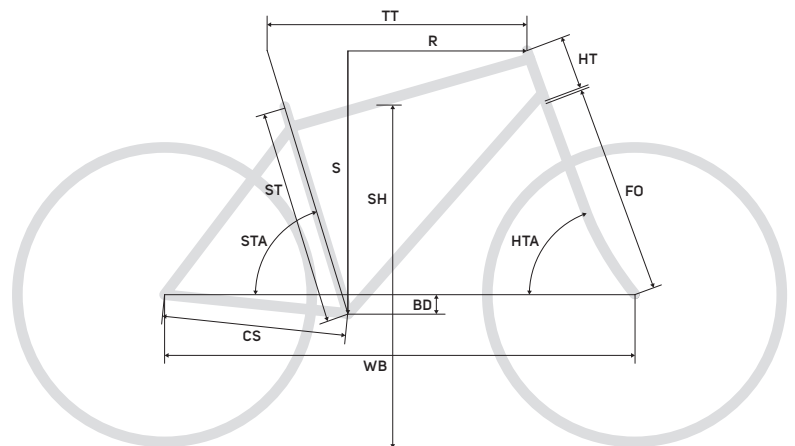


NO.	ITEM NO.	ITEM	DETAIL INFORMATION	PIECES	TORQUE NM
1		SMART ENTRY	see page 443		
2		SMART ENTRY	see page 443		
3	2300011412	SCREW		1	4
4	2161000670	BATTERY COVER	FOR eBIG.SEVEN SIZE S FOR eBIG.NINE SIZE M	1	
5	2161000681	BATTERY COVER	FOR eBIG.SEVEN SIZE M FOR eBIG.NINE SIZE L / XL	1	

NO.	ITEM NO.	ITEM	DETAIL INFORMATION	PIECES	TORQUE NM
6	2300012101	SCREW		3	16
7	2300012112	SCREW		3	16
8	2258000217	CABLE GUIDE		1	
9	2298002501	SCREW		1	7
10	2300010950	SCREW		2	4
11	2311005101	DROPOUT DH-057	see page 444	1	
12	2300005272	SCREW		1	3-5

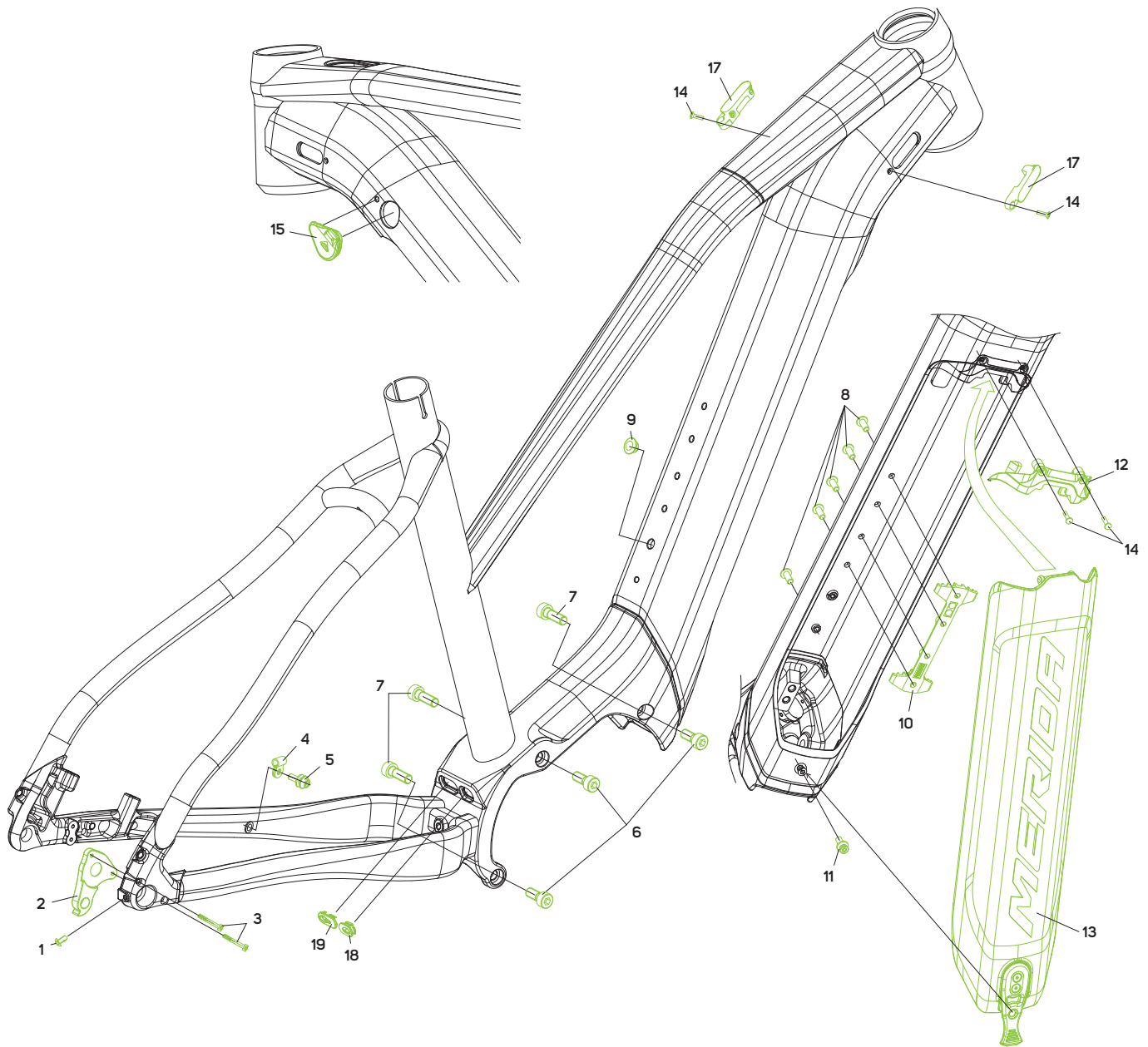
# eBIG.TOUR

FRAME	eBIG.TOUR LITE
<b>MAX. WHEELSIZE</b>	29x2.35" without fender 29x2.25" with fender
<b>HEAD TUBE</b>	
1.5"-1.5"	•
<b>HEADSET</b>	
INTEGRATED	•
<b>BRAKE STANDARD</b>	
DISC BRAKE ON CHAIN STAY	•
POST MOUNT 180 MM REAR BRAKE	•
<b>SEATPOST DIAMETER</b>	
30.9 MM	
34.9 MM	•
<b>REAR DROPOUT-STANDARD</b>	
THRU AXLE 12X148 MM	•
<b>CABLE ROUTING</b>	
INTERNAL SHIFTING CABLES	•
INTERNAL BRAKE CABLE	•
INTERNAL SEAT POST CABLE	•
<b>DI2-READY</b>	•
<b>EQUIPMENT OPTIONS</b>	
PLETSCHER 18 MM	•
CARRIER MOUNT FRAME	•
FENDER MOUNT FRAME	•
<b>MOTOR INTERFACE</b>	Shimano Type 2
<b>BATTERY</b>	Shimano E8035
<b>SPEEDSENSOR MOUNT</b>	SM-DUE11
<b>RD HANGER</b>	DH-057



eBIG.TOUR LITE				
	S	M	L	XL
<b>FS</b> frame size				
<b>ST</b> seat tube [mm]	380	430	480	530
<b>TT</b> top tube [mm]	575	590	610	630
<b>HT</b> head tube [mm]	110	120	130	140
<b>HTA</b> head tube angle [°]	68	68	68	68
<b>STA</b> seat tube angle [°]	74,5	74,5	74,5	74,5
<b>CS</b> chain stay length [mm]	465	465	465	465
<b>BD</b> bottom bracket drop [mm]	52,5	52,5	52,5	52,5
<b>FO</b> fork length [mm]	506	506	506	506
<b>S</b> stack [mm]	614,5	624	633	642,5
<b>R</b> reach [mm]	404,5	417	434,5	452
<b>WB</b> wheel base [mm]	1143	1160	1181	1202

# eBIG.TOUR ALUMINIUM



NO.	ITEM NO.	ITEM	DETAIL INFORMATION	PIECES	TORQUE NM
1	2300005272	SCREW		1	
2	2311005101	HANGER	DH-057DH-057	1	
3	2300010950	SCREW		2	4
4	2258001133	CABLE GUIDE		1	
5	2298002501	SCREW		1	5
6	2300012101	SCREW		3	12
7	2300012112	SCREW		3	12
8	2298011283	SCREW		5	5
9	2143003600	PLUG		1	

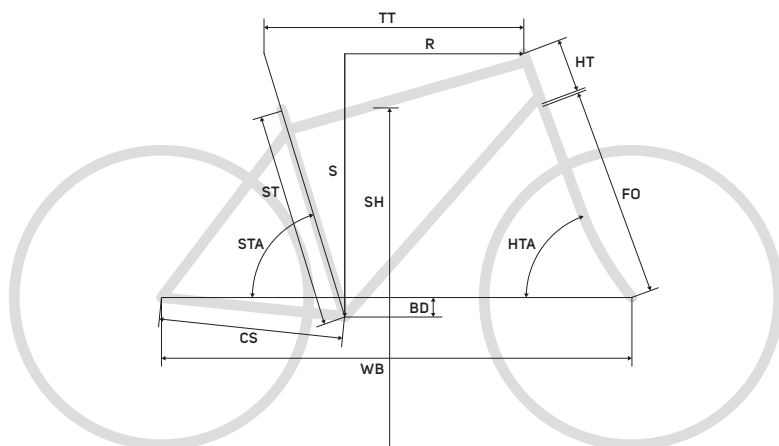
NO.	ITEM NO.	ITEM	DETAIL INFORMATION	PIECES	TORQUE NM
10	2161001303	CABLE GUIDE		1	
11	2300014857	SCREW		1	5
12	2161001314	COVER MOUNT		1	
13	2161001660	ENERGY GUARD		1	
14	2300011412	SCREW		4	4
15	2143003611	PLUG		1	
17		SMART ENTRY			
18	2258004471	CABLE GUIDE		1	
19	2258004943	CABLE GUIDE		1	



FRAME INTERFACES / GEOMETRIES

# eSPRESSO

FRAME	eSPRESSO LITE II	eSPRESSO LITE II HG	eSPRESSO LITE
MAX. WHEELSIZE	700x50C (with fender)	700x50C (with fender)	700x42 C (with fender)
<b>HEAD TUBE</b>			
TAPERED 1-1/8" - 1.5"	•	•	•
<b>HEADSET</b>			
SEMI-INTEGRATED (44-55 MM)	•	•	•
<b>BRAKE STANDARD</b>			
DISC BRAKE ON CHAIN STAY	•	•	•
POST MOUNT 160 MM REAR BRAKE	•	•	•
POST MOUNT 180 MM REAR BRAKE		•	
<b>SEATPOST DIAMETER</b>			
30,9 MM			•
34,9 MM	•	•	
<b>REAR DROPOUT-STANDARD</b>			
THRU AXLE 12X142 MM	•	•	•
HUB-GEAR SLIDER DO 9X135 MM		•	
<b>CABLE ROUTING</b>			
INTERNAL SHIFTING CABLES	•	•	•
INTERNAL BRAKE CABLE	•	•	•
INTERNAL SEAT POST CABLE	•	•	•
<b>DI2-READY</b>			
	•	•	•
<b>EQUIPMENT OPTIONS</b>			
PLETSCHER 18 MM	•	•	•
CARRIER MOUNT FRAME (RACKTIME SHINE EVO)	•	•	•
CARRIER MOUNT FRAME (STANDARD)	•	•	•
FENDER MOUNT FRAME	•	•	•
FENDER MOUNT FORK	•	•	•
<b>MOTOR INTERFACE</b>			
	Shimano Type 2	Shimano Type 2	Shimano Type 2
<b>BATTERY</b>			
	Shimano E8035	Shimano E8035	Shimano E8010
<b>SPEEDSENSOR MOUNT</b>			
	SM-DUE11	SM-DUE11	SM-DUE11
<b>RD HANGER</b>			
		DH-057	



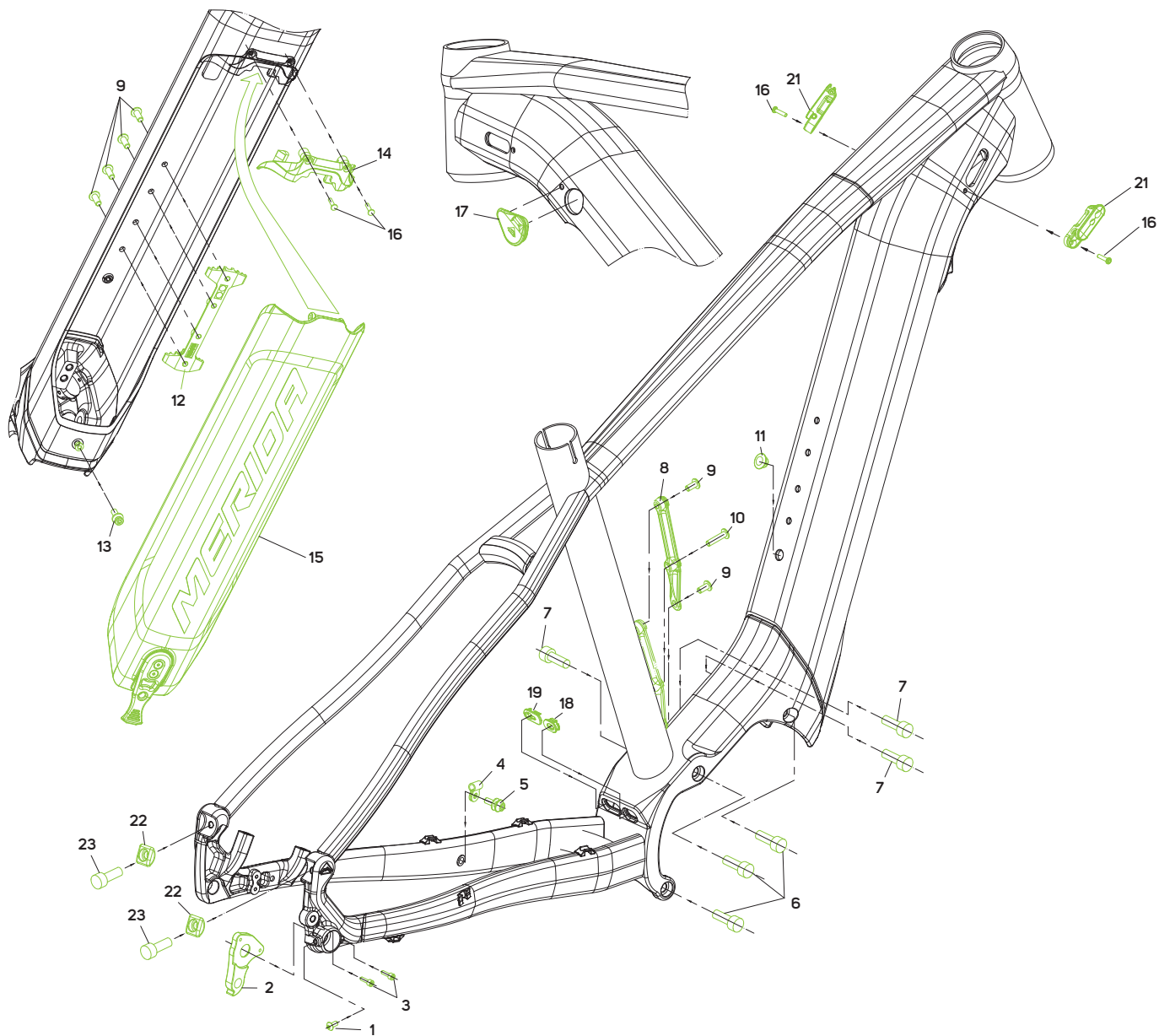
FS = ST frame size = seat tube [mm] TT top tube [mm] HT head tube [mm]  
 HTA head tube angle [°] STA seat tube angle [°] CS chain stay length [mm] BD bottom bracket drop [mm]  
 FO fork length [mm] S stack [mm] R reach [mm] WB wheel base [mm]

eSPRESSO LITE II / HG					
FS	XS(43)	S(47)	M(51)	L(55)	XL(59)
TT	565	580	590	610	630
ST	430	470	510	550	590
CS	478	478	478	478	478
HTA	70,5	71	71	71,5	71,5
STA	75	74,5	74,5	74	74
BD	70	70	70	70	70
HT	130	140	155	175	205
FO	475	475	475	475	475
R	397,5	403,5	409,5	417	429
STA	626,5	637	651,5	672,5	701
WB	1113,5	1118	1129	1138	1159,5

eSPRESSO L LITE II / HG				
FS	XS(43)	S(47)	M(51)	L(55)
TT	565	580	590	610
ST	430	470	510	550
CS	478	478	478	478
HTA	70,5	71	71	71,5
STA	75	74,5	74,5	74
BD	70	70	70	70
HT	130	140	155	175
FO	475	475	475	475
R	397,5	403,5	409,5	417
STA	626,5	637	651,5	672,5
WB	1113,5	1118	1129	1138

eSPRESSO					
FS	XS(43)	S(47)	M(51)	L(55)	XL(59)
ST	430	470	510	550	590
TT	565	580	590	610	630
HT	130	140	155	175	205
HTA	70,5	71	71	71,5	71,5
STA	74	73,5	73,5	73	73
CS	475	475	475	475	475
BD	70	70	70	70	70
FO	477	477	477	477	477
S	627	638	653	674	702
R	385	391	397	404	415
WB	1101	1105	1116	1124	1145

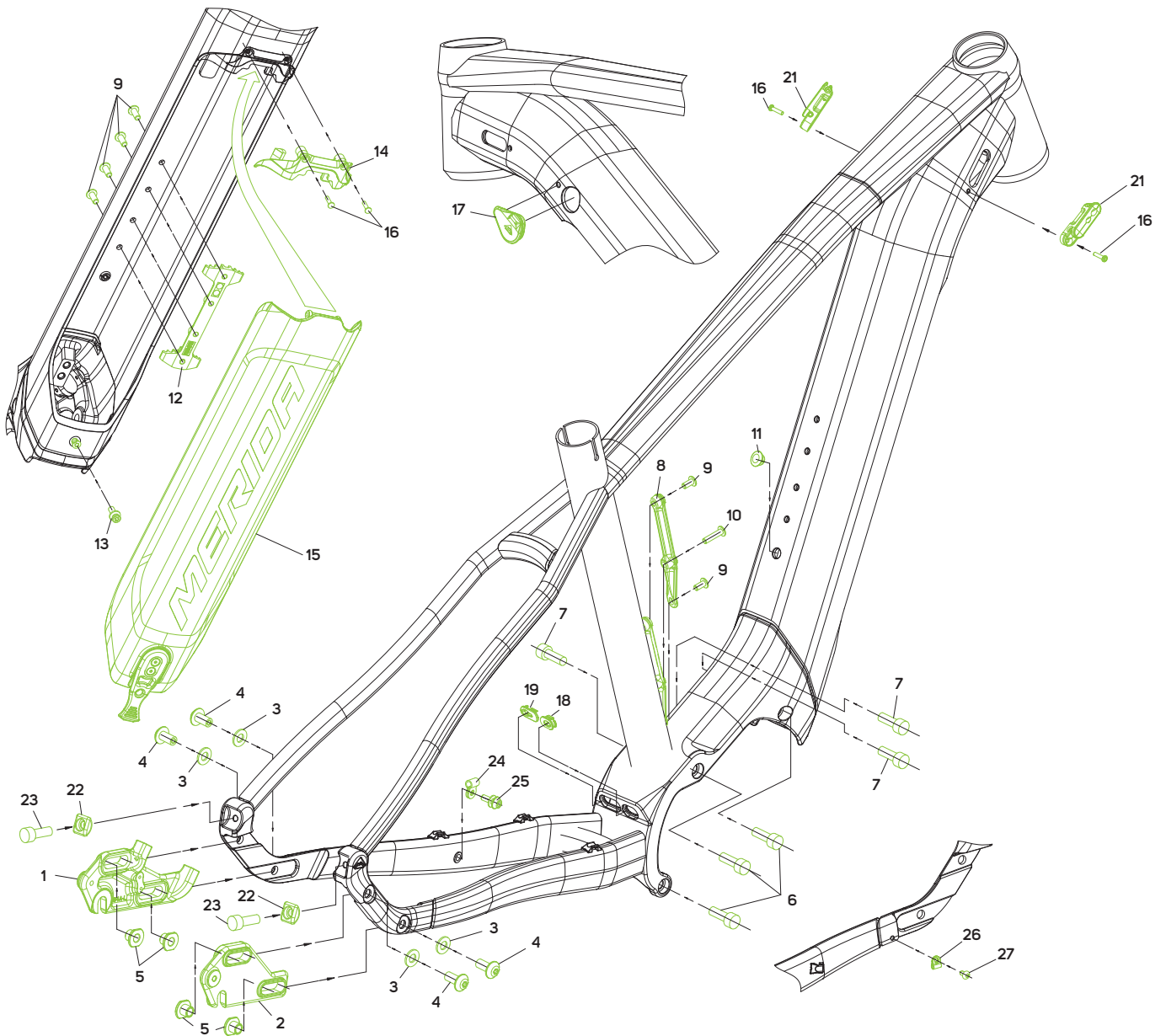
eSPRESSO L				
FS	XS(43)	S(47)	M(51)	L(55)
ST	430	470	510	550
TT	565	580	590	610
HT	130	140	155	175
HTA	70,5	71	71	71,5
STA	74	73,5	73,5	73
CS	475	475	475	475
BD	70	70	70	70
FO	477	477	477	477
S	627	638	653	674
R	385	391	397	404
WB	1101	1105	1116	1124



NO.	ITEM NO.	ITEM	DETAIL INFORMATION	PIECES	TORQUE NM
1	2300005272	SCREW		1	
2	2311005101	HANGAR	DH-057	1	
3	2300009458	SCREW		2	4
4	2258001133	CABLE GUIDE		1	
5	2298002501	SCREW		1	5
6	2300012101	SCREW		3	16
7	2300012112	SCREW		3	16
8	2136001371	BC-MOUNT		1	
9	2298012187	SCREW		6	5
10	2298011164	SCREW		1	5
11	2143003600	PLUG		1	

NO.	ITEM NO.	ITEM	DETAIL INFORMATION	PIECES	TORQUE NM
12	2161001303	CABLE GUIDE		1	
13	2300014857	SCREW		1	5
14	2161001314	COVER MOUNT		1	
15	2161001660	ENERGY GUARD		1	
16	2300011412	SCREW		4	4
17	2143003611	PLUGPLUG		1	
18	2258004471	CABLE GUIDE		1	
19	2258004943	CABLE GUIDE		1	
21		SMART ENTRY			
22	2143003213	BLIND PLUG		2	
23	2298011131	SCREW		2	8

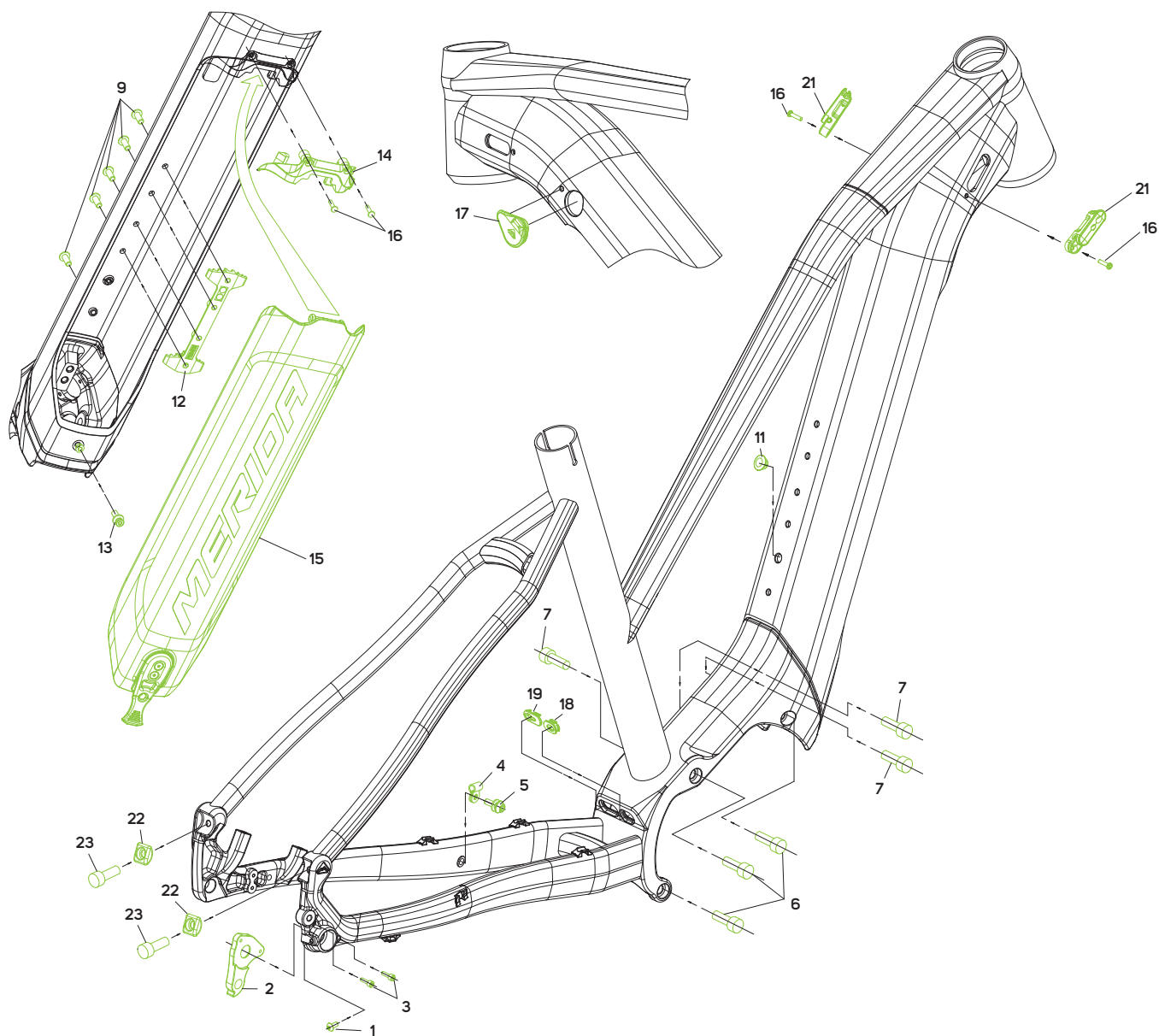
# eSPRESSO INTUBE SLIDER



NO.	ITEM NO.	ITEM	DETAIL INFORMATION	PIECES	TORQUE NM
1	2311005587	DROPOUT	DH-064A-L	1	
2	2311005598	DROPOUT	DH-064A-R	1	
3	2294002501	WASHER		4	
4	2300014437	SCREW		4	
5	2300014932	NUT		4	
6	2300012101	SCREW		3	16
7	2300012112	SCREW		3	16
8	2136001371	BC-MOUNT		1	
9	2298012187	SCREW		6	5
10	2298011164	SCREW		1	5
11	2143003600	PLUG		1	
12	2161001303	CABLE GUIDE		1	
13	2300014857	SCREW		1	5

NO.	ITEM NO.	ITEM	DETAIL INFORMATION	PIECES	TORQUE NM
14	2161001314	COVER MOUNT		1	
15	2161001660	ENERGY GUARD		1	
16	2300011412	SCREW		4	4
17	2143003611	PLUG		1	
18	2258004471	CABLE GUIDE		1	
19	2258004943	CABLE GUIDE		1	
21		SMART ENTRY			
22	2143003213	BLIND PLUG		2	
23	2298011131	SCREW		2	8
24	2258001133	CABLE GUIDE		1	
25	2298002501	SCREW		1	5
26	2258004910	CABLE GUIDE		1	
27	2300005272	SCREW		1	

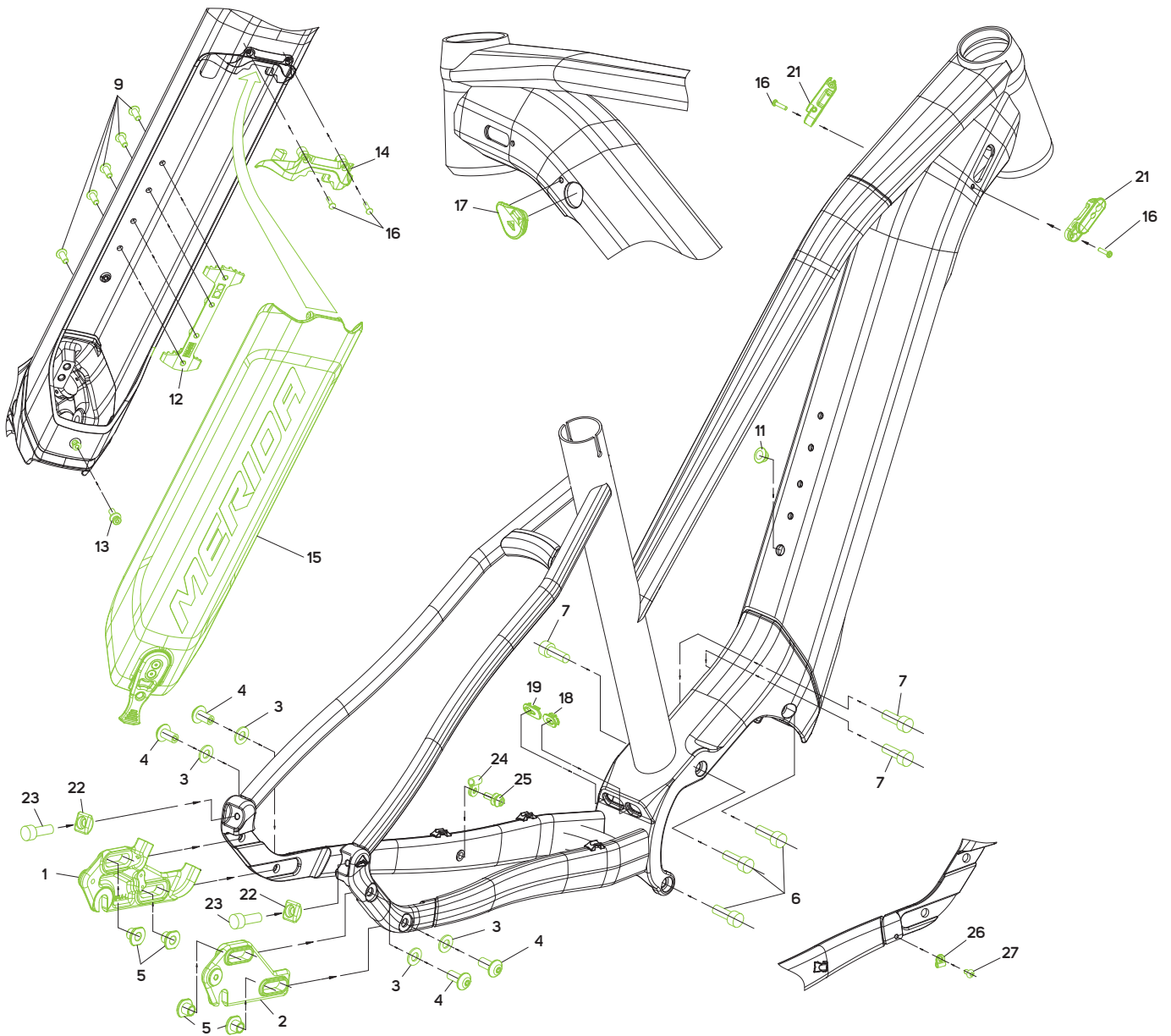
# eSPRESSO INTUBE L



NO.	ITEM NO.	ITEM	DETAIL INFORMATION	PIECES	TORQUE NM
1	2300005272	SCREW		1	
2	2311005101	HANGER		1	
3	2300009458	SCREW		2	4
4	2258001133	CABLE GUIDE		1	
5	2298002501	SCREW		1	5
6	2300012101	SCREW		3	16
7	2300012112	SCREW		3	16
11	2143003600	PLUG		1	
12	2161001303	CABLE GUIDE		1	
13	2300014857	SCREW		1	5

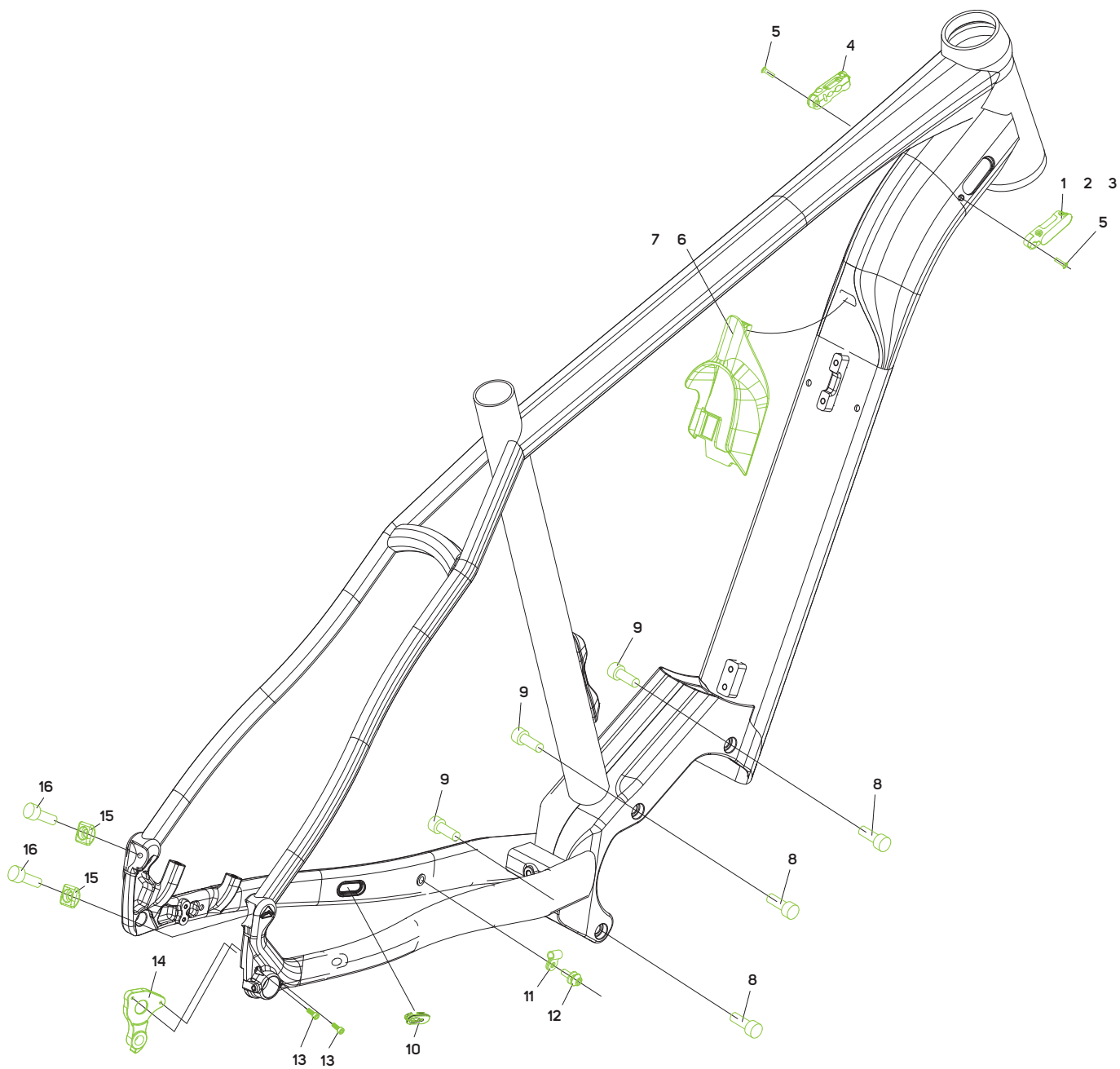
NO.	ITEM NO.	ITEM	DETAIL INFORMATION	PIECES	TORQUE NM
14	2161001314	COVER MOUNT		1	
15	2161001660	ENERGY GUARD		1	
16	2300011412	SCREW		4	4
17	2143003611	PLUG		1	
18	2258004471	CABLE GUIDE		1	
19	2258004943	CABLE GUIDE		1	
21		SMART ENTRY			
22	2143003213	BLIND PLUG	IF NO CARRIER IS MOUNTED	2	
23	2298011131	SCREW		2	8

# eSPRESSO INTUBE L SLIDER

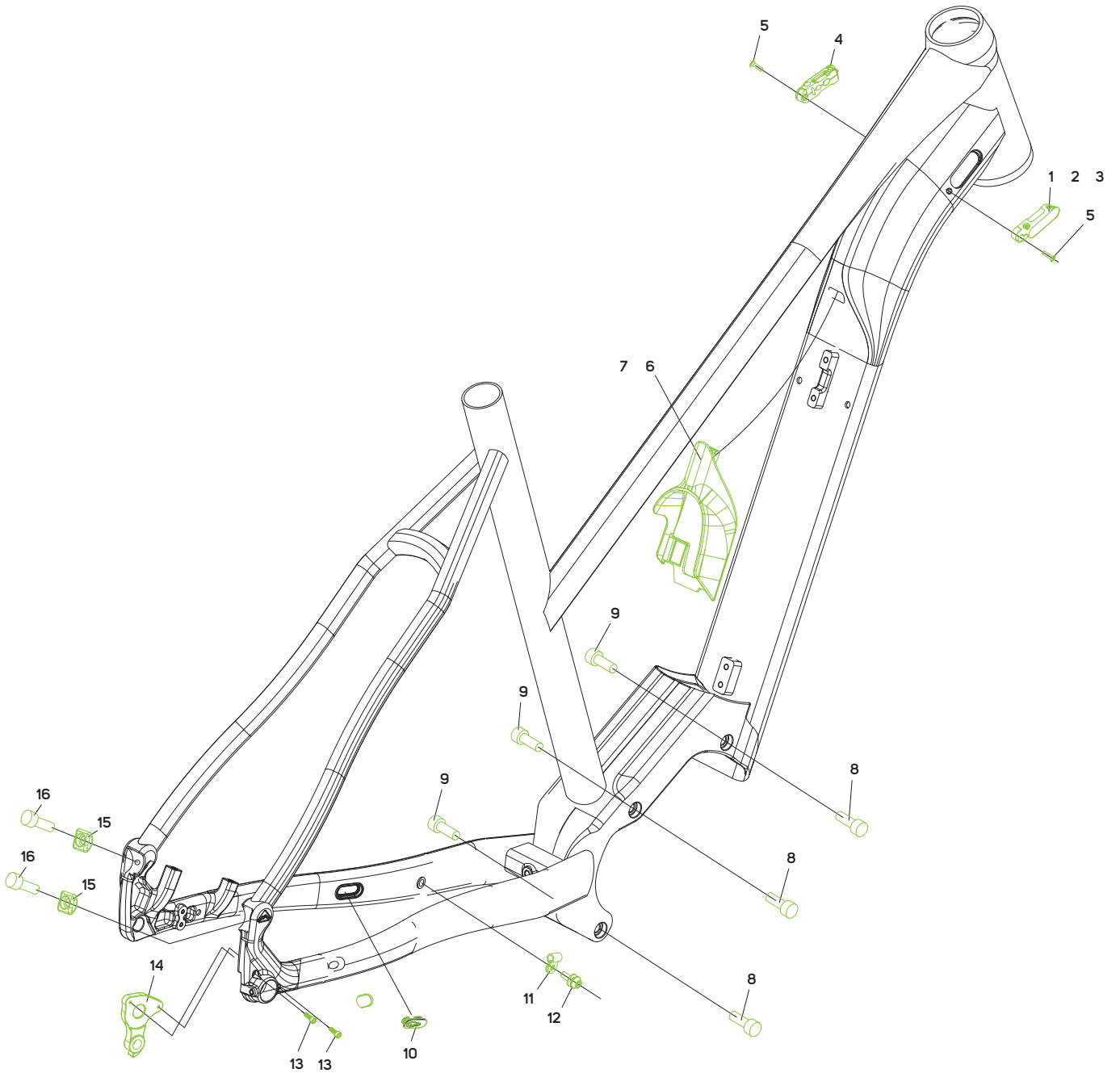


NO.	ITEM NO.	ITEM	DETAIL INFORMATION	PIECES	TORQUE NM
1	2311005587	DROPOUT	DH-064A-LDH-064A-L	1	
2	2311005598	DROPOUT	DH-064A-RDH-064A-R	1	
3	2294002501	SCREW		4	
4	2300014437	SCREW		4	14
5	2300014932	NUT		4	
6	2300012101	SCREW		3	16
7	2300012112	SCREW		3	16
11	2143003600	PLUG		1	
12	2161001303	CABLE GUIDE		1	
13	2300014857	SCREW		1	5
14	2161001314	COVER MOUNT		1	
15	2161001660	ENERGY GUARD		1	

NO.	ITEM NO.	ITEM	DETAIL INFORMATION	PIECES	TORQUE NM
16	2300011412	SCREW		4	4
17	2143003611	PLUG		1	
18	2258004471	CABLE GUIDE		1	
19	2258004943	CABLE GUIDE		1	
21		SMART ENTRY			
22	2143003213	BLIND PLUG	IF NO CARRIER IS MOUNTED	2	
23	2298011131	SCREW		2	8
24	2258001133	CABLE GUIDE		1	
25	2298002501	SCREW		1	5
26	2258004910	CABLE GUIDE		1	
27	2300005272	SCREW		1	



NO.	ITEM NO.	ITEM	DETAIL INFORMATION	PIECES	TORQUE NM
1-5		SMART ENTRY	<i>see page 443</i>		
6	2161000670	BATTERY COVER	FOR SIZES: S / M / L / XL	1	
7	2161000681	BATTERY COVER	FOR SIZE: XS	1	
8	2300012101	SCREW		3	16
9	2300012112	SCREW		3	16
10	2258004943	CABLE GUIDE		1	
11	2258000217	CABLE GUIDE		1	
12	2298002501	SCREW		1	7
13	2300009458	SCREW		2	4
14	2311005101	DROPOUT DH-057	<i>see page 444</i>	1	
15	2143003213	CAP	only for EQ versions	2	
16	2298011131	SCREW	only for EQ versions	2	8



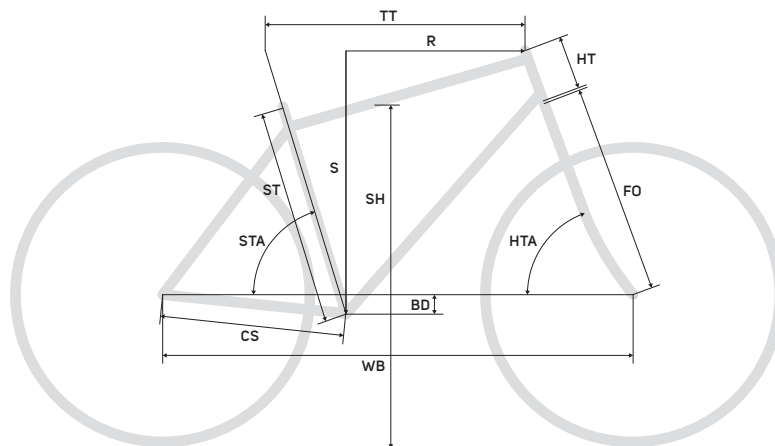
NO.	ITEM NO.	ITEM	DETAIL INFORMATION	PIECES	TORQUE NM
1-5		SMART ENTRY	see page 443		
6	2161000670	BATTERY COVER	FOR SIZES: S / M / L / XL	1	
7	2161000681	BATTERY COVER	FOR SIZE: XS	1	
8	2300012101	SCREW		3	16
9	2300012112	SCREW		3	16
10	2258004943	CABLE GUIDE		1	
11	2258000217	CABLE GUIDE		1	
12	2298002501	SCREW		1	7
13	2300009458	SCREW		2	4
14	2311005101	DROPOUT DH-057	see page 444	1	
15	2143003213	CAP	only for EQ versions	2	
16	2298011131	SCREW	only for EQ versions	2	8



# eSPRESSO CITY

FRAME	LITE HG	LITE
<b>MAX. WHEELSIZE</b>	700x47C (with fender)	700x47C (with fender)
<b>HEAD TUBE</b>		
TAPERED 1-1/8" - 1.5"	•	•
<b>HEADSET</b>		
SEMI-INTEGRATED (44-55 MM)	•	•
<b>BRAKE STANDARD</b>		
DISC BRAKE ON CHAIN STAY	•	•
POST MOUNT 160 MM REAR BRAKE		•
POST MOUNT 180 MM REAR BRAKE	•	
<b>SEATPOST DIAMETER</b>		
30.9 MM	•	•
<b>REAR DROPOUT-STANDARD</b>		
THRU AXLE 12X142 MM		•
HUB GEAR SLIDER DO 9X135 MM	•	
<b>CABLE ROUTING</b>		
INTERNAL SHIFTING CABLES	•	•
INTERNAL BRAKE CABLE	•	•
INTERNAL SEAT POST CABLE	•	•
<b>DI2-READY</b>		
	•	•

FRAME	LITE HG	LITE
<b>EQUIPMENT OPTIONS</b>		
PLETSCHER 18 MM	•	•
CARRIER MOUNT FRAME (RACKTIME SHINE EVO)	•	•
CARRIER MOUNT FRAME (STANDARD)	•	•
FENDER MOUNT FRAME	•	•
FENDER MOUNT FORK	•	•
<b>MOTOR INTERFACE</b>		
	Shimano Type 2	Shimano Type 2
<b>BATTERY</b>		
	Shimano E8010	Shimano E8010
<b>SPEEDSENSOR MOUNT</b>		
	SM-DUE11	SM-DUE11
<b>RD HANGER</b>		
	DH-064A-L/R	DH-057

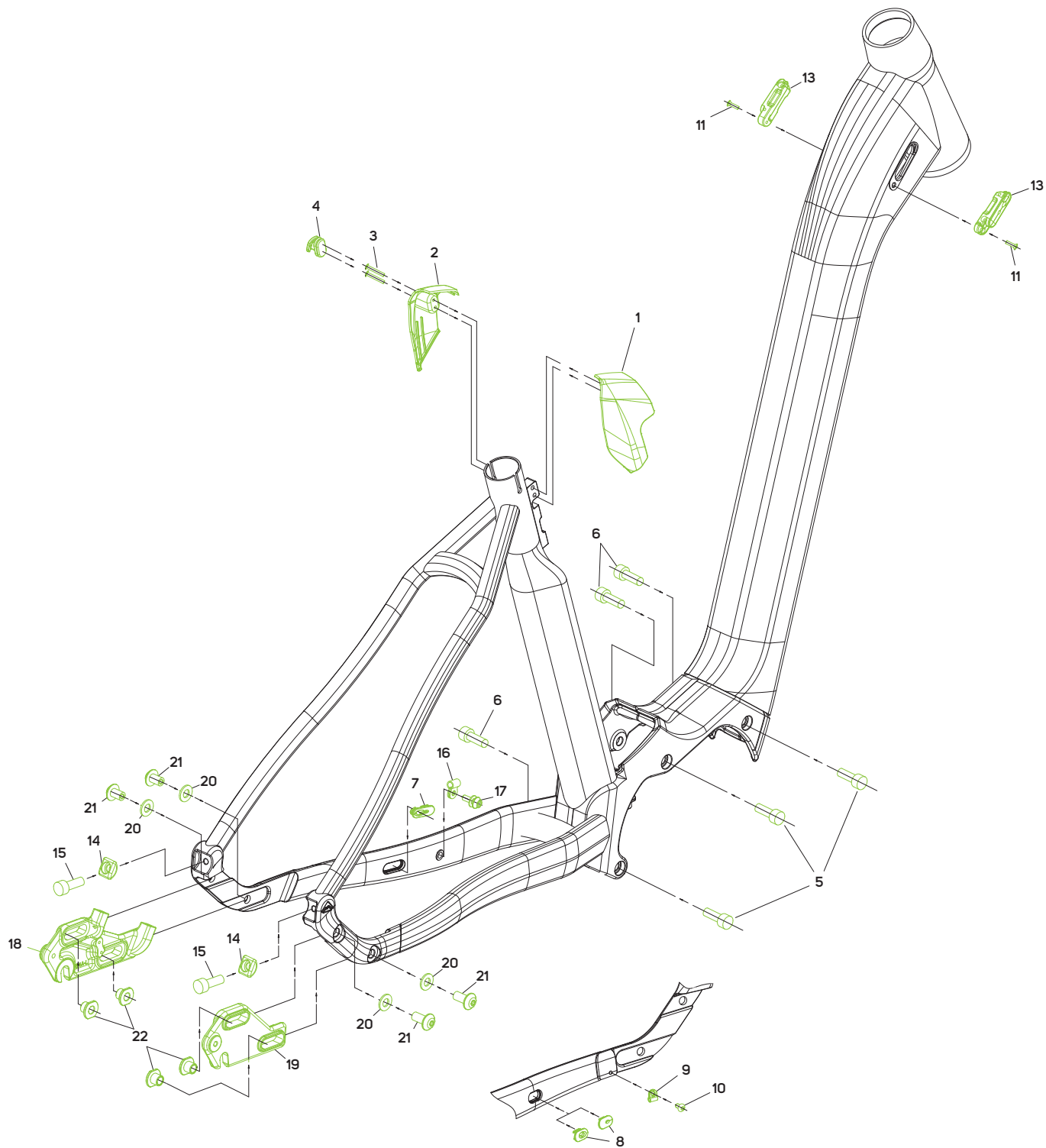


eSPRESSO CITY LITE HG					
FS frame size	XS(41,5)	S(45)	M(49)	L(53)	XL(57)
ST seat tube [mm]	415	450	490	530	570
TT top tube [mm]	575	590	605	620	635
HT head tube [mm]	160	170	185	200	215
HTA head tube angle [°]	69,5	70	70	70,5	70,5
STA seat tube angle [°]	74	73,5	73	73	72,5
CS chain stay length [mm]	490	490	490	490	490
BD bottom bracketed drop [mm]	70	70	70	70	70
FO fork length [mm]	477	477	477	477	477
S stack [mm]	651	662	676	693	707
R reach [mm]	389	394	398	408	412
WB wheel base [mm]	1140	1143	1153	1163	1171

eSPRESSO CITY LITE					
XS(41.5)	S(45)	M(49)	L(53)	XL(57)	
415	450	490	530	570	
575	590	605	620	635	
160	170	185	200	215	
69.5	70	70	70.5	70.5	
74	73.5	73	73	72.5	
490	490	490	490	490	
70	70	70	70	70	
477	477	477	477	477	
651	662	676	693	707	
389	394	398	408	412	
1140	1143	1153	1163	1171	

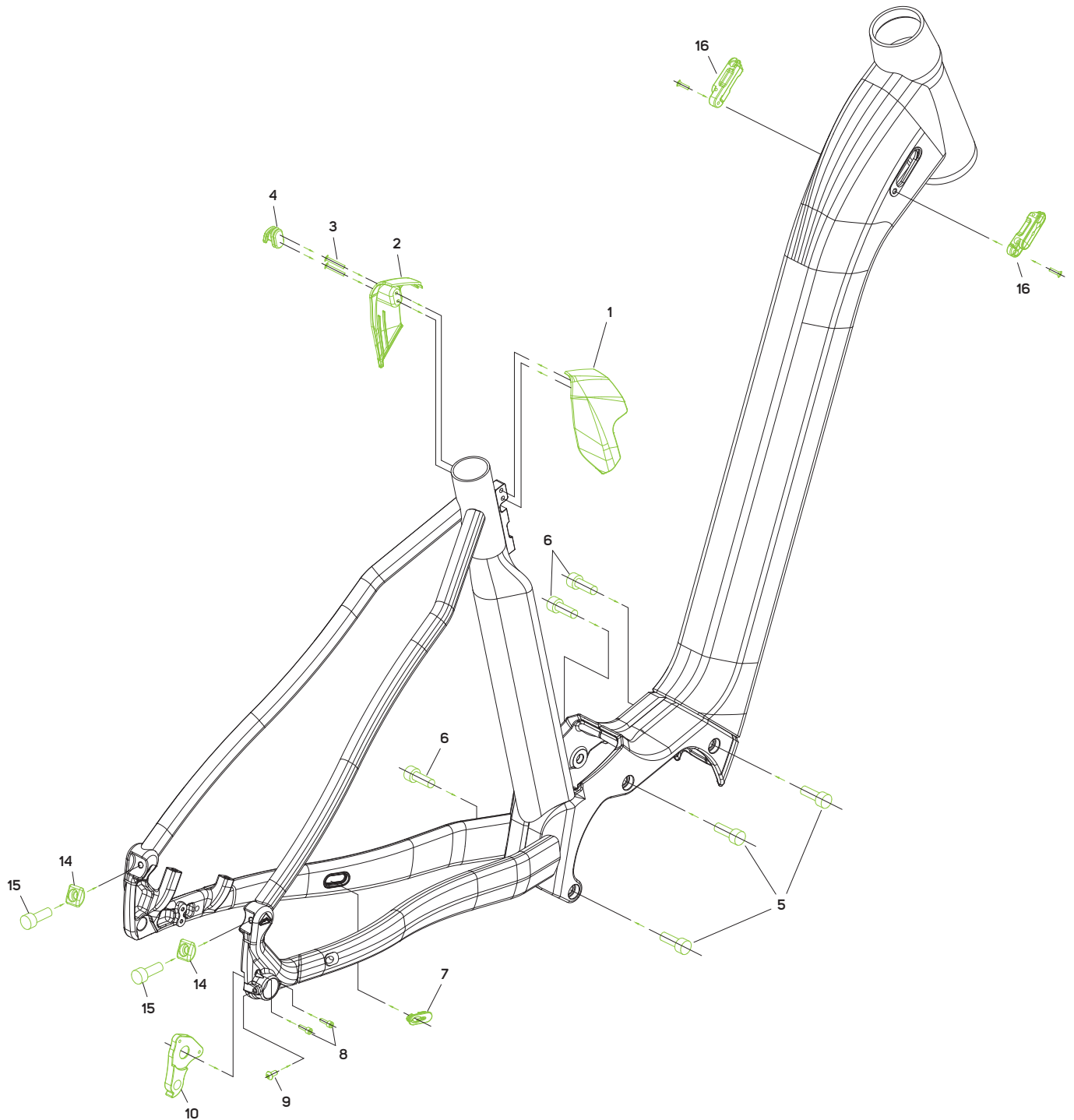


# eSPRESSO CITY SLIDER



NO.	ITEM NO.	ITEM	DETAIL INFORMATION	PIECES	TORQUE NM
1	2161000692	COVER		1	
2	2161000700	COVER		1	
3	2300013426	SCREW		2	5
4	2143003280	PLUG		1	
5	2300012101	SCREW		3	12
6	2300012112	SCREW		3	12
7	2258004943	CABLE GUIDE		1	
8	2258003760	CABLE GUIDE	FOR DI2 CABLES	1	
8	2258003812	CABLE GUIDE	FOR MECHANICAL CABLES	1	
9	2258004910	CABLE GUIDE		1	
10	2300005272	SCREW		1	

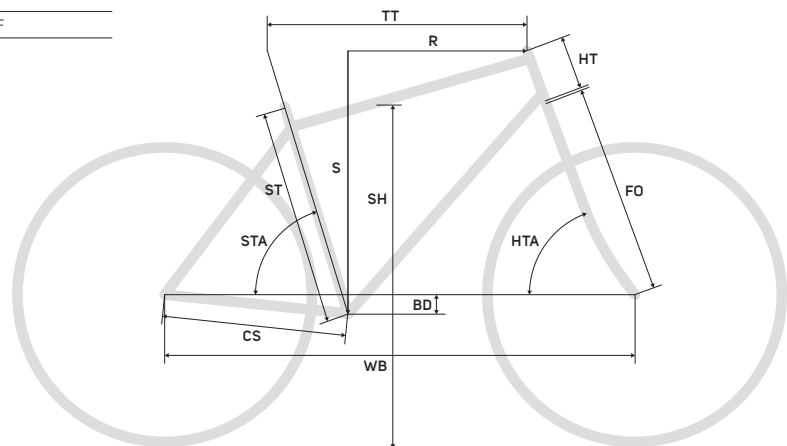
NO.	ITEM NO.	ITEM	DETAIL INFORMATION	PIECES	TORQUE NM
11	2300011412	SCREW		2	4
13		SMART ENTRY			
14	2143003213	BLIND PLUG		2	
15	2298011131	SCREW		2	8
16	2258001133	CABLE GUIDE		1	
17	2298002501	SCREW		1	5
18	2311005587	DROPOUT	DH-064A-L	1	
19	2311005598	DROPOUT	DH-064A-R	1	
20	2294002501	WASHER		4	
21	2300014437	SCREW		4	14
22	2300014932	NUT		4	



NO.	ITEM NO.	ITEM	PIECES	TORQUE NM
1	2161000692	BATTERY COVER	1	
2	2161000700	BATTERY COVER	1	
3	2300013426	SCREW	2	5
4	2143003280	PLUG	1	
5	2300012101	SCREW	3	12
6	2300012112	SCREW	3	12
7	2258004943	CABLE GUIDE	1	
8	2300009458	SCREW	2	4
9	2300005272	SCREW	1	5
10	2311005101	DROPOUT DH-057 <i>see page 444</i>	1	
14	2143003213	ADAPTER CARRIER	2	
15	2298011131	SCREW	2	8
16		SMART ENTRY <i>see page 443</i>		

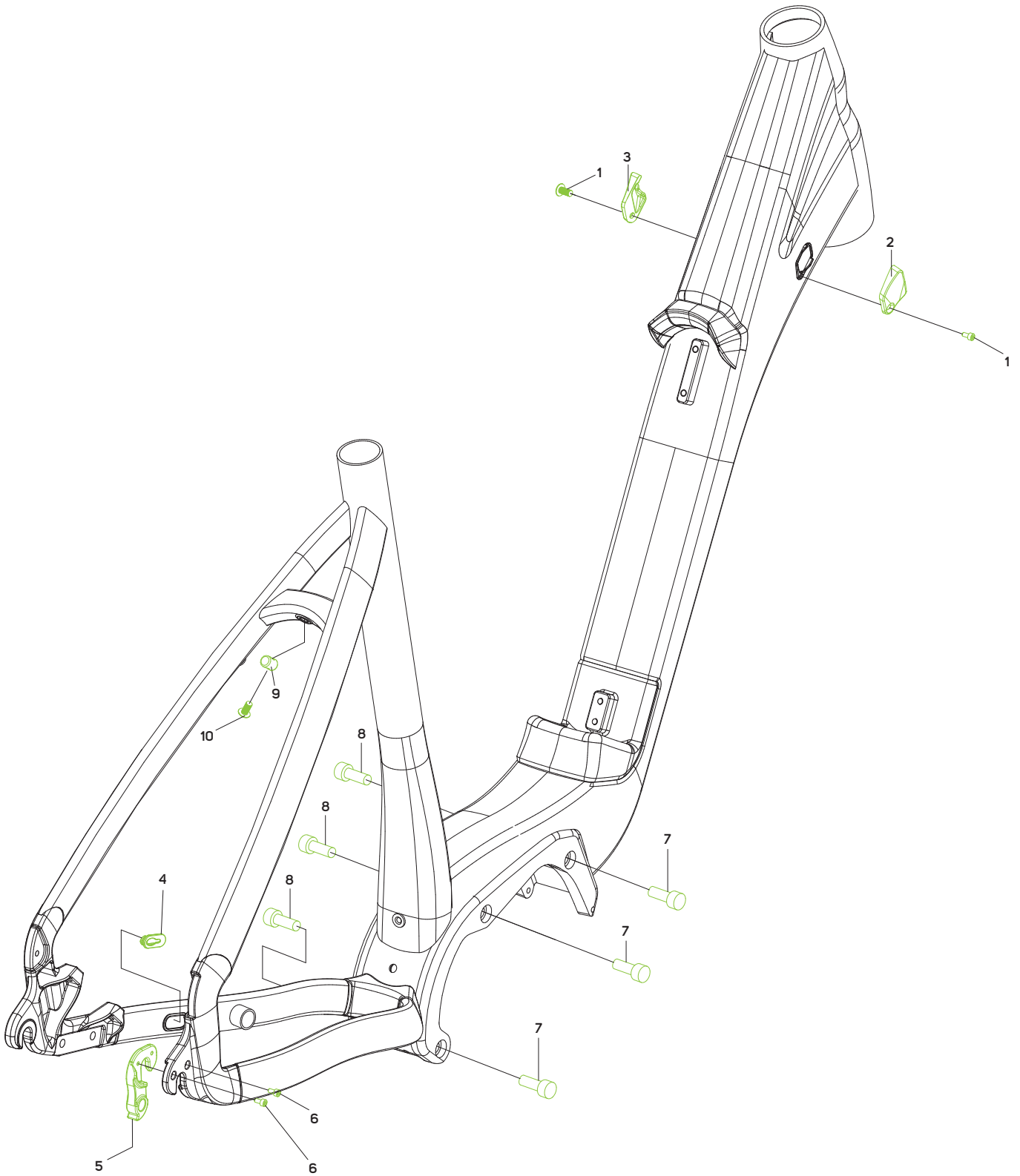
# eSPRESSO TK

FRAME	LITE 650
MAX. WHEELSIZE	27,5x2.25"
<b>HEAD TUBE</b>	
TAPERED 1-1/8" - 1.5"	•
<b>HEADSET</b>	
SEMI-INTEGRATED (44-55 MM)	•
<b>BRAKE STANDARD</b>	
DISC BRAKE ON CHAIN STAY	•
POST MOUNT 180 MM REAR BRAKE	•
<b>SEATPOST DIAMETER</b>	
30.9 MM	•
<b>REAR DROPOUT-STANDARD</b>	
QUICK RELEASE 9X135 MM	•
<b>CABLE ROUTING</b>	
INTERNAL SHIFTING CABLES	•
INTERNAL BRAKE CABLE	•
INTERNAL SEAT POST CABLE	•
<b>DI2-READY</b>	
	•
<b>EQUIPMENT OPTIONS</b>	
HEBIE 40 MM	•
CARRIER MOUNT FRAME (RACKTIME E-TREKKING)	•
FENDER MOUNT FRAME	
FENDER MOUNT FORK	•
<b>MOTOR INTERFACE</b>	
	Shimano Type 2
<b>BATTERY</b>	
	Shimano EB010
<b>SPEEDSENSOR MOUNT</b>	
	SM-DUE10
<b>RD HANGER</b>	
	DH-013F



## eSPRESSO LITE 650

	S(43)	M(48)	L(53)
FS frame size			
ST seat tube [mm]	430	480	530
TT top tube [mm]	588	605	623
HT head tube [mm]	170	190	210
HTA head tube angle [°]	68,5	68,5	68,5
STA seat tube angle [°]	73	73	73
CS chain stay length [mm]	445	445	445
BD bottom bracketed drop [mm]	50	50	50
FO fork length [mm]	484	484	484
S stack [mm]	641,5	661	679,5
R reach [mm]	391,5	403	415
WB wheel base [mm]	1114,5	1133	1152,5



NO.	ITEM NO.	ITEM	DETAIL INFORMATION	PIECES	TORQUE NM
1	2300011768	SCREW		2	
2	2258004222	CABLE GUIDE		1	
3	2258004211	CABLE GUIDE		1	
4	2258004943	CABLE GUIDE		1	
5	2311005167	HANGER	DH-013F	1	
6	2300000772	SCREW		2	4
7	2300013403	SCREW		3	16
8	2300013414	SCREW		3	16
9	2300011199	NUT		1	8
10	2300013027	SCREW		1	