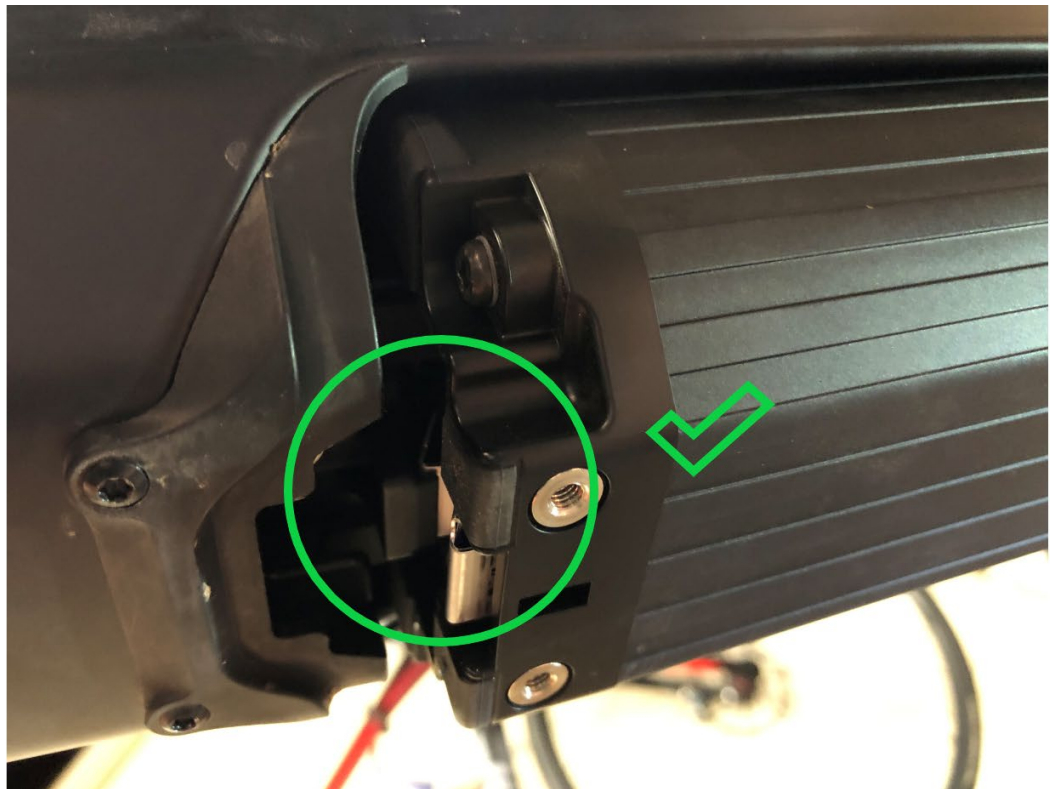


Process to check and adjust battery spacing in Merida ebikes

1. Remove the battery cover from the down tube
2. Remove the battery with a 4mm allen key for eMTB's or the supplied key on eSPRESSO models

When removing the battery hold your hand underneath to catch the battery in case the spacing is incorrect and the battery safety spring catch does not engage as per below. If the catch does not engage the upper mount requires adjustment



3. To assist with quickly checking correct spacing once the battery is removed a simple tool can be made from a 3mm x 19mm aluminium strip to the dimensions shown below

344-344.5mm



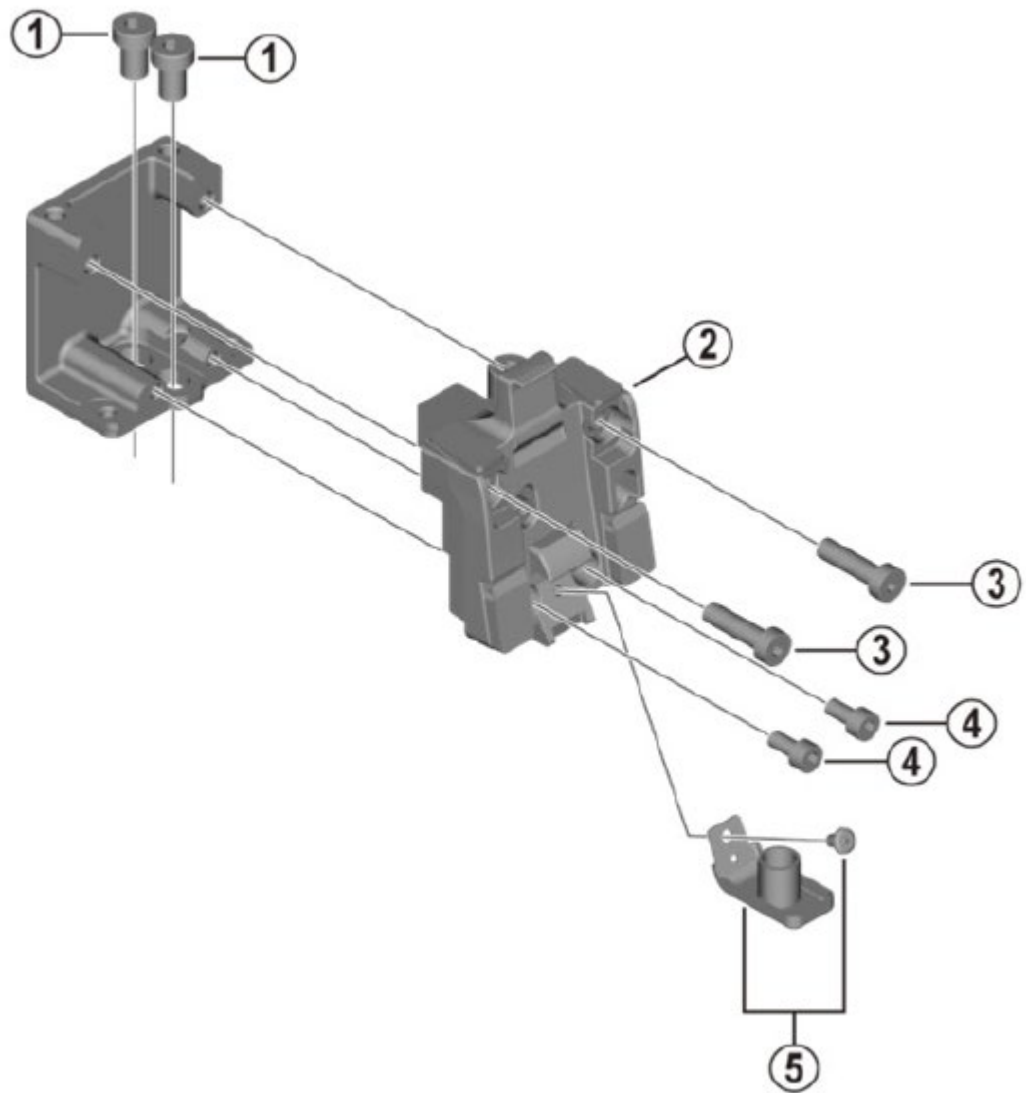
340-340.5mm

19mmx3mm plate

4. Place the bottom edge of the spacing tool into the groove on the battery mount electrical connector and the upper part of the tool onto the battery latch



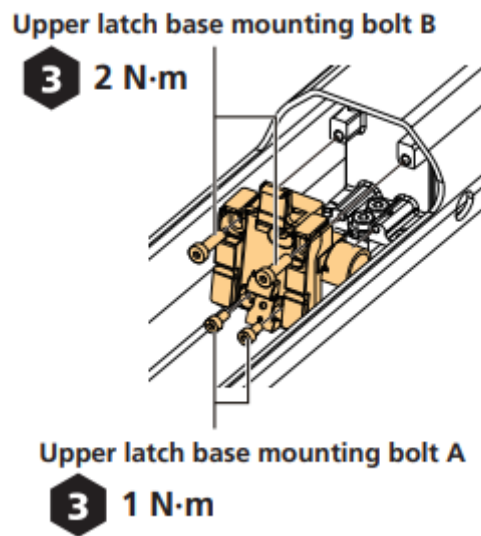
5. If the battery latch spacing requires adjustment remove the screws shown as item #3 and #4 below with a 3mm allen key from the upper latch assembly



6. Once the latch assembly #2 is removed then loosen bolts #1 with a 4mm allen key to allow adjustment
7. Use the spacing tool with the lower part set between the battery terminals and the upper part resting above the two screws and slide the assembly towards the tool to ensure minimal freeplay as highlighted in the green circle on the picture below, if freeplay is still evident the lower battery terminal must be removed first to adjust the lower cradle underneath before proceeding with the upper latch adjustment



8. Once the distance is set tighten the two screws #1 with a 4mm torque wrench to 6Nm then reinstall the upper latch using a 3mm torque wrench to tighten the four screws as shown below



9. Reinstall the battery and check the battery can be removed properly with the safety catch spring engaging.
10. Reinstall the battery cover and test the function of the STEPS system