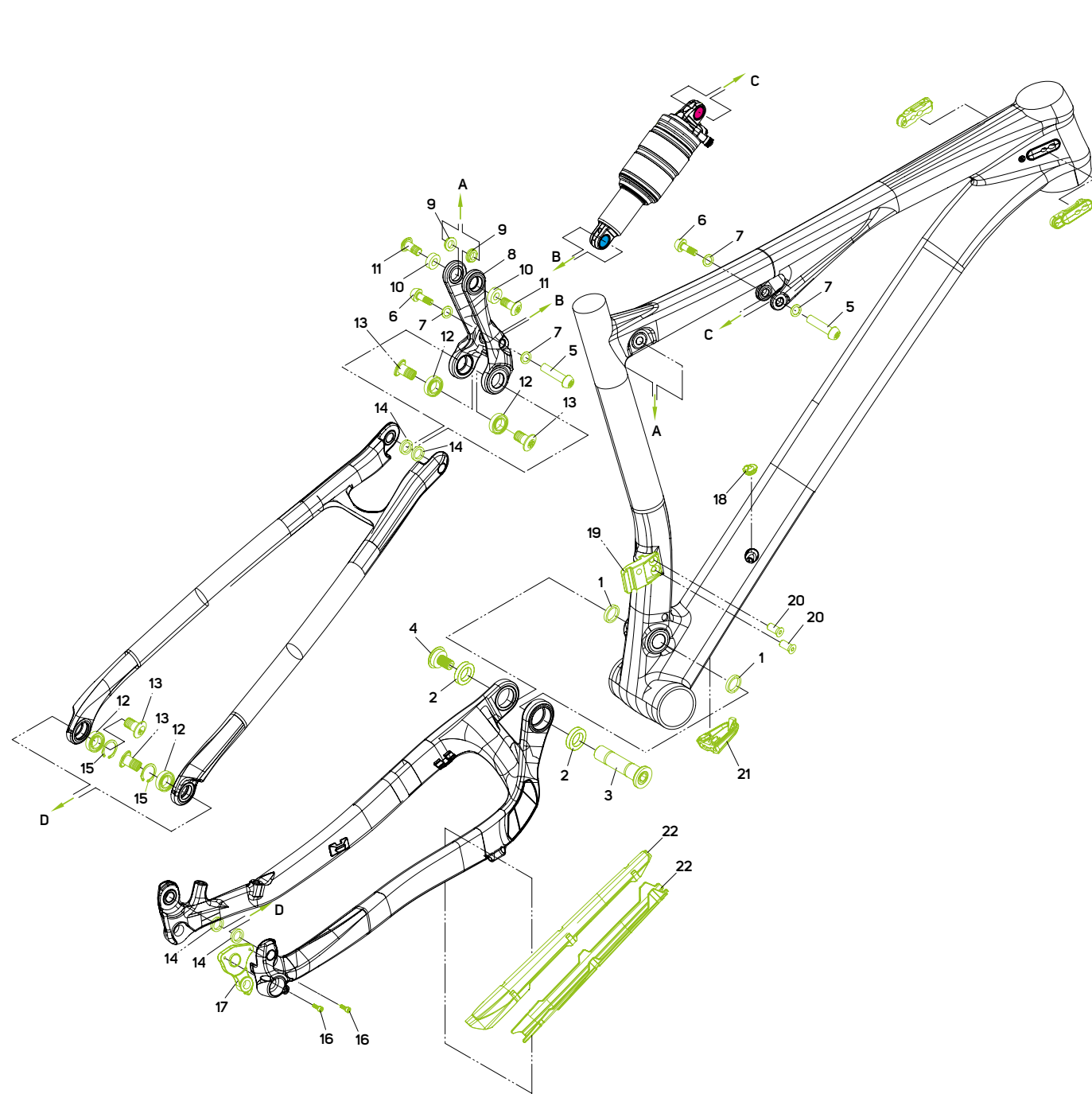


NINETY-SIX CARBON

MM	SHAFT EYELET PIN WIDTH	PIN ID	BODY EYELET PIN WIDTH	PIN ID
165 x 38mm	22,2 mm	8 mm	19 mm	8 mm

Recommended SAG: ~20-25%



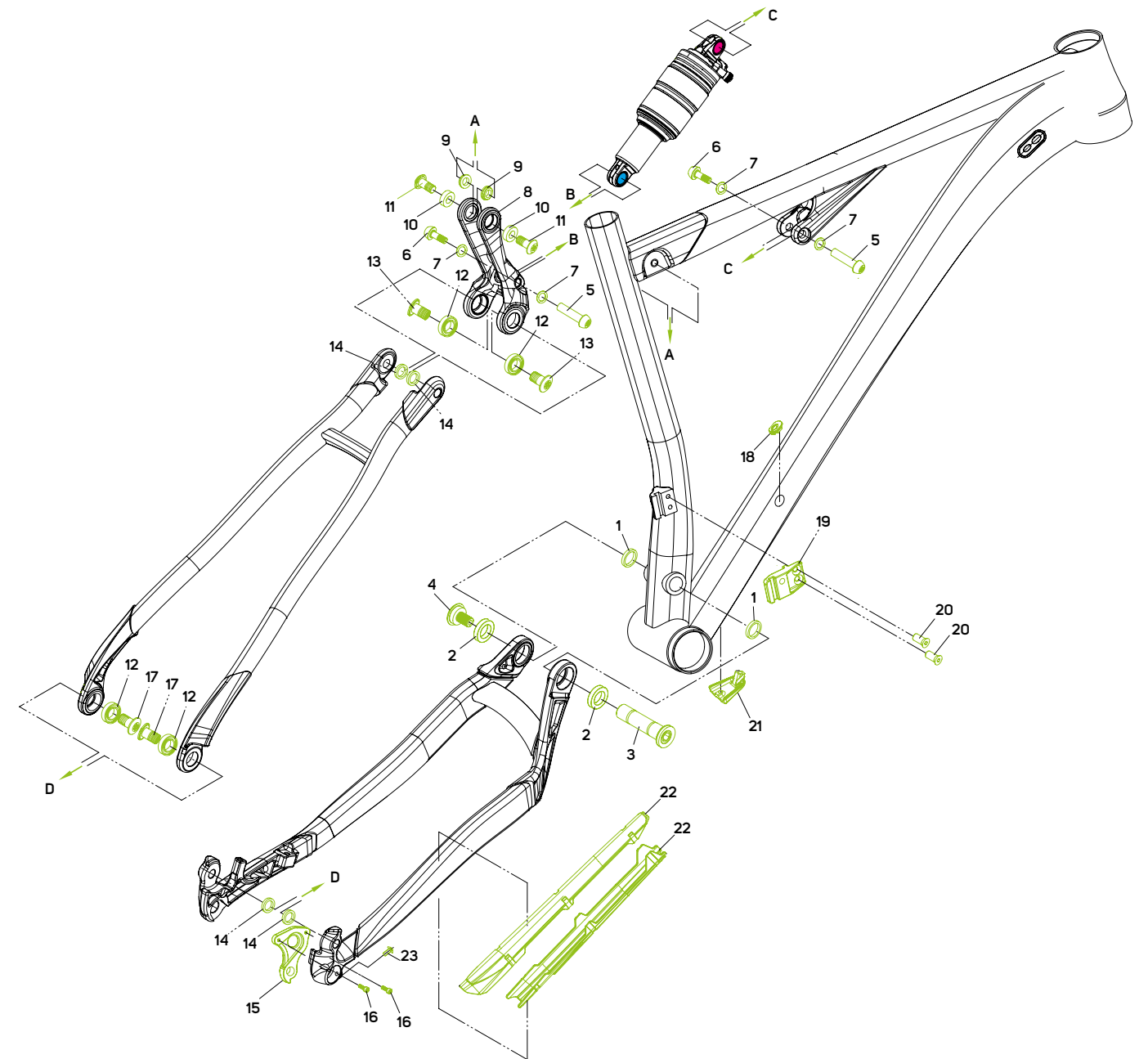
NO.	ITEM NO.	ITEM	DETAIL INFORMATION	PIECES	TORQUE NM
1	2294001180	WASHER		2	
2	2221001695	BEARING	1524F 24D*15D*5W	2	
3	2300011111	BOLT		1	
4	2300011122	SCREW		1	
5	2300010488	BOLT		2	18
6	2300010499	SCREW		2	12
7	2292002170	WASHER		4	
8	-	ROCKER		1	
9	2294004235	WASHER		2	
10	2221001297	BEARING	688V2RS 16D*8D*5T	2	
11	2300011133	BOLT		2	14

12	2221001736	BEARING	6800V2RS 19D*10D*5T	4	
13	2300011144	BOLT		4	16
14	2294003427	WASHER		4	
15	2294004428	RETAINING RING		2	
16	2300010886	SCREW		2	4
17	2311004928	HANGER		1	
18	2143002892	CABLE PLUG		1	
19	2164001290	FD ADAPTER		1	
20	2300011359	BOLT		2	8
21	2258003867	CABLE EXIT		1	
22	2158003153	CHAINSTAY PROTECTOR		1	

NINETY-SIX ALUMINIUM

MM	SHAFT EYELET PIN WIDTH	PIN ID	BODY EYELET PIN WIDTH	PIN ID
165 x 38mm	22,2 mm	8 mm	19 mm	8 mm

Recommended SAG: ~20-25%



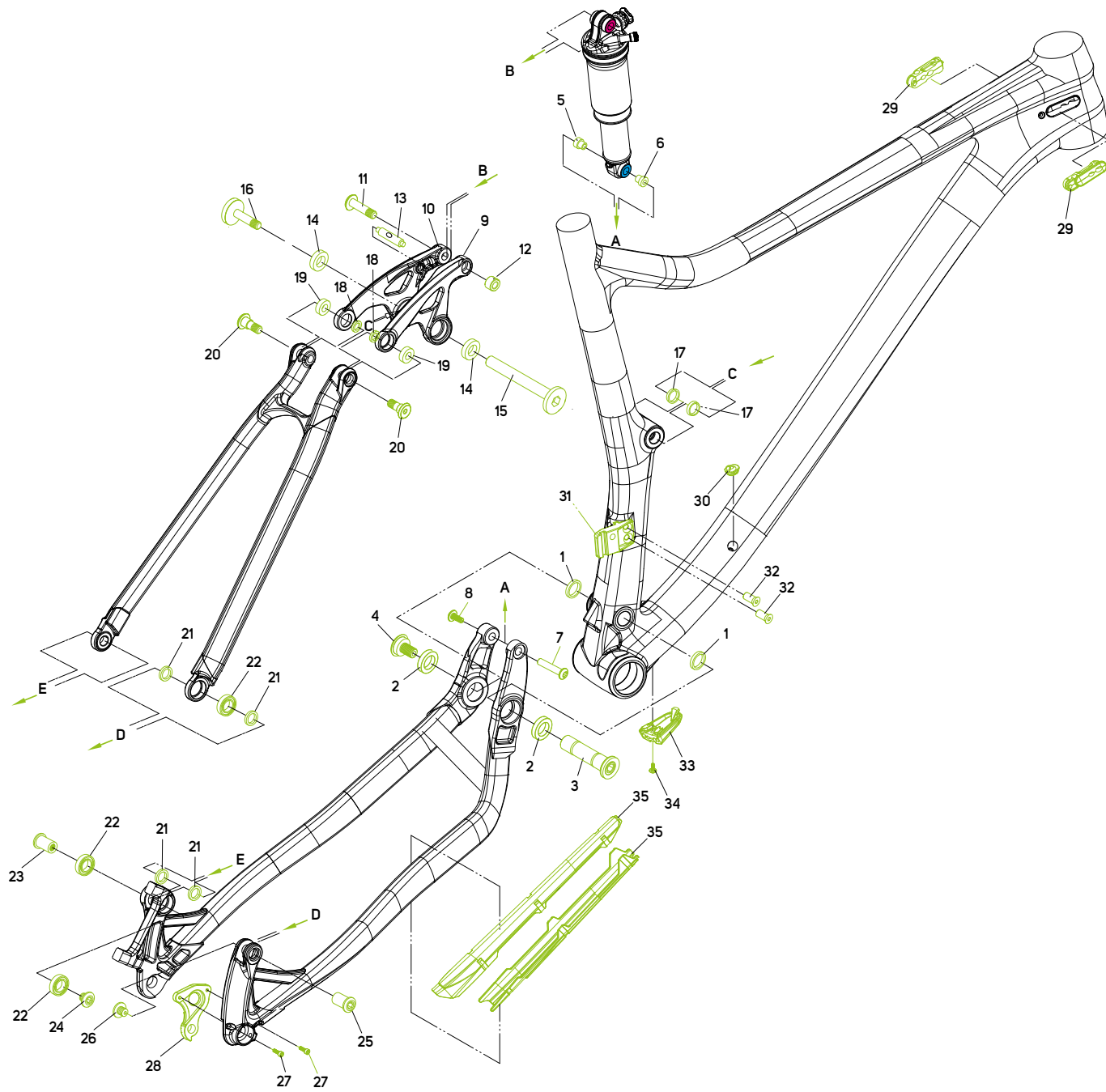
NO.	ITEM NO.	ITEM	DETAIL INFORMATION	PIECES	TORQUE NM
1	2294001180	WASHER		2	
2	2221001695	BEARING	1524F 24D*15D*5W	2	
3	2300011111	BOLT		1	
4	2300011122	SCREW		1	18
5	2300010819	BOLT		2	
6	2300010820	SCREW		2	12
7	2292002170	WASHER		4	
8	-----	ROCKER		1	
9	2294004235	WASHER		2	
10	2221001297	BEARING	688V2RS 16D*8D*5W	2	
11	2300011133	BOLT		2	14
12	2221001907	BEARING	6800V2RS 19D*10D*5W	4	

13	2300011144	BOLT		2	
14	2294003427	WASHER		4	
15	2311004928	HANGER		1	
16	2300009458	BOLT		2	4
17	2300011423	BOLT		2	
18	2258003254	CABLE PLUG		1	
19	2164001201	FD ADAPTER		1	
20	2300005852	BOLT		2	8
21	2258003124	CABLE EXIT		1	
22	2158003153	CHAINSTAY PROTECTOR		1	
23	2300005272	SCREW		1	5

ONE-TWENTY CARBON

MM	SHAFT EYELET PIN WIDTH	PIN ID	BODY EYELET PIN WIDTH	PIN ID
190 x 51mm	22,2 mm	8 mm	custom	8 mm

Recommended SAG: 25-30%

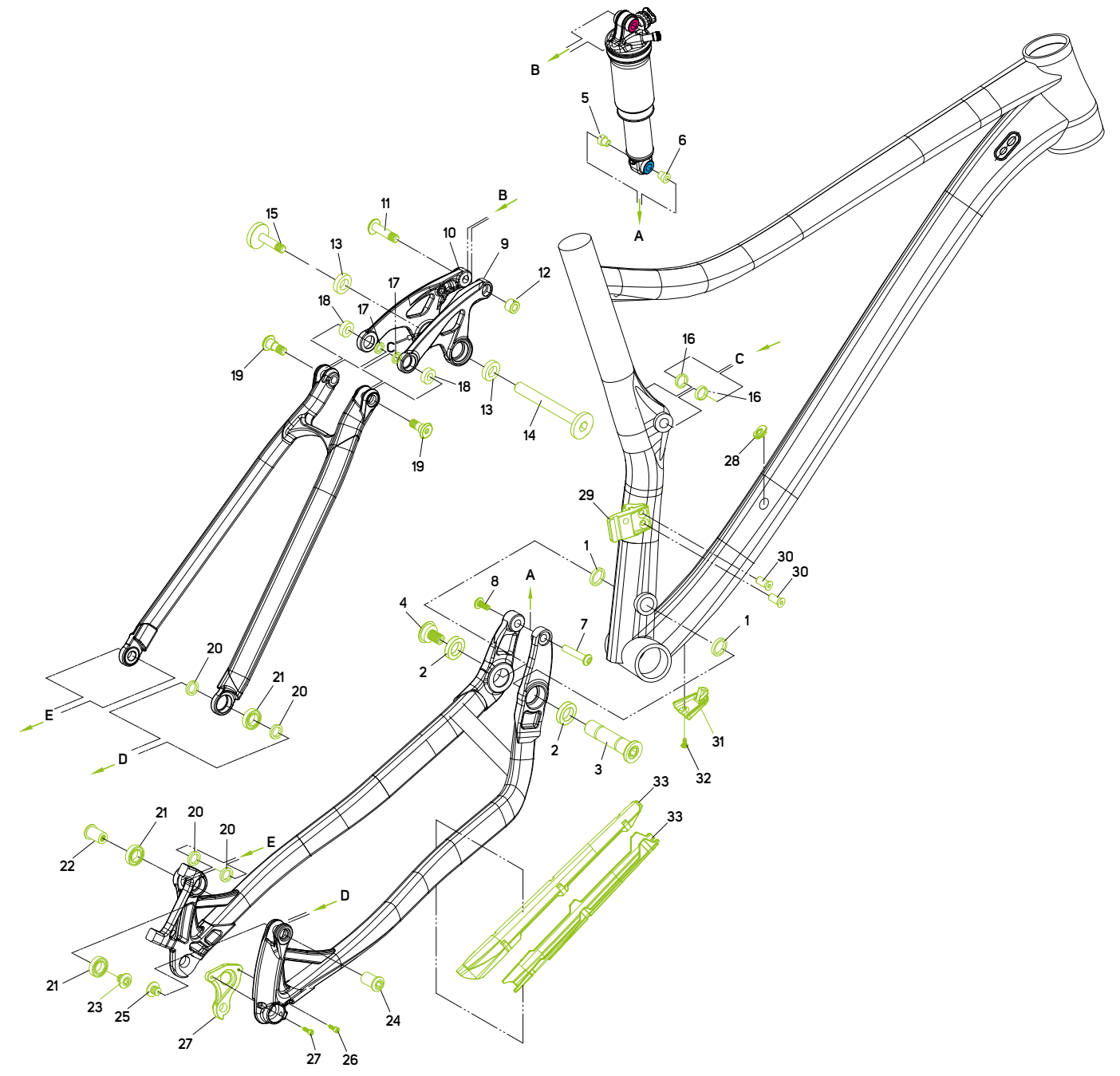


NO.	ITEM NO.	ITEM	DETAIL INFORMATION	PIECES	TORQUE NM
1	2294001180	WASHER		2	
2	2221001695	BEARING	1524F 24D*15D*5W	2	
3	2300009555	BOLT		1	
4	2300009566	SCREW		1	16-18
5	2294003160	WASHER		1	
6	2294003171	WASHER		1	10-12
7	2300009760	BOLT		1	
8	2300009771	SCREW		1	
9		ROCKER		1	
10		ROCKER		1	
11	2300003690	SCREW		1	12-14
12	2302001546	NUT		1	
13	2181000278	CABLE GUIDE		1	
14	2221001703	BEARING	6801V-2RS 21D*12D*5W	2	
15	2300009492	BOLT		1	
16	2300009481	SCREW		1	-3
17	2294002255	WASHER		2	
18	2294001544	WASHER		2	
19	2221001297	BEARING	688V2RS 16D*8D*5W	2	
20	2300010068	SCREW		2	-7
21	2294003427	WASHER		4	
22	2221001736	BEARING	6800V2RS 19D*10D*5W	3	
23	2300009533	BOLT		1	
24	2300009544	SCREW		1	
25	2300009511	BOLT		1	
26	2300009522	SCREW		1	
27	2300009458	SCREW		2	
28	2311004928	HANGER		1	
29	SEE PAGE 14	SMART ENTRY		2	
30	2143002687	CABLE PLUG		1	
31	2164001201	FD ADAPTER		1	
32	2300005852	SCREW		2	
33	2258003867	CABLE GUIDE		1	
34	2300009890	BOLT		1	
35	2158003153	PROTECTOR		1	

ONE-TWENTY ALUMINIUM

MM	SHAFT EYELET PIN WIDTH	PIN ID	BODY EYELET PIN WIDTH	PIN ID
190 x 51mm	22,2 mm	8 mm	custom	8 mm

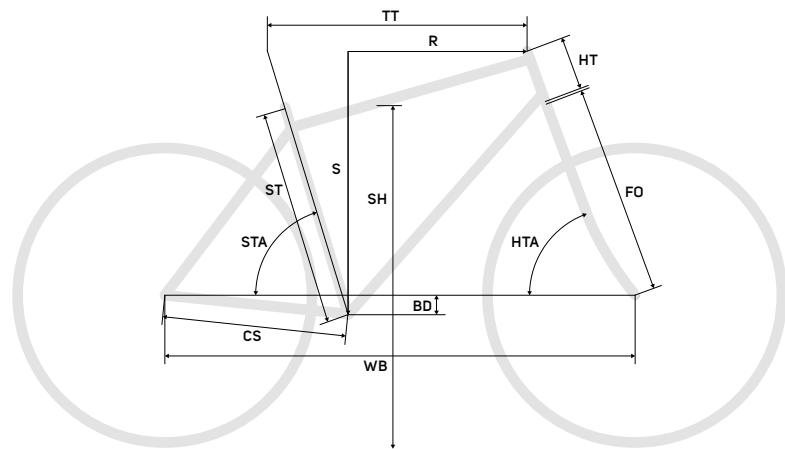
Recommended SAG: 25-30%



NO.	ITEM NO.	ITEM	DETAIL INFORMATION	PIECES	TORQUE NM
1	2294001180	WASHER		2	
2	2221001695	BEARING	1524F 24D*15D*5W	2	
3	2300009555	BOLT		1	
4	2300009566	SCREW		1	16-18
5	2294003160	WASHER		1	
6	2294003171	WASHER		1	
7	2300009760	BOLT		1	
8	2300009771	SCREW		1	10-12
9		ROCKER		1	
10		ROCKER		1	
11	2300003690	SCREW		1	12-14
12	2302001546	NUT		1	
13	2221001703	BEARING	6801V-2RS 21D*12D*5W	2	
14	2300009492	BOLT		1	
15	2300009481	SCREW		1	12-14
16	2294002255	WASHER		2	
17	2294001544	WASHER		2	
18	2221001297	BEARING	688V2RS 16D*8D*5W	2	
19	2300010068	SCREW		2	12-14
20	2294003427	WASHER		4	
21	2221001736	BEARING	6800V2RS 19D*10D*5W	3	
22	2300009533	BOLT		1	
23	2300009544	SCREW		1	12-14
24	2300009511	BOLT		1	
25	2300009522	SCREW		1	12-14
26	2300009458	SCREW		2	-3
27	2311004928	HANGER		1	
28	2258003254	CABLE GUIDE		1	
29	2164001201	FD ADAPTE		1	
30	2300005852	SCREW		2	-7
31	2258003124	CABLE GUIDE		1	
32	2300009890	BOLT		1	
33	2158003153	PROTECTOR		1	

ONE-SIXTY

FRAME	CFA	LITE
MAX. WHEELSIZE	27.5x2.6"	27.5x2.6"
HEAD TUBE		
TAPERED 1-1/8 - 1.5	•	•
HEADSET		
SEMI-INTEGRATED (44-55 mm)	•	•
BRAKE STANDARD		
DISC BRAKE ON CHAIN STAY	•	•
POST MOUNT 180MM REAR BRAKE	•	•
BB-STANDARD		
BB 92	•	•
SEATPOST DIAMETER		
30.9 mm	•	•
REAR DROPOUT-STANDARD		
BOOST 12x148	•	•
CABLE ROUTING		
INTERNAL SHIFTING CABLES	•	•
INTERNAL BRAKE CABLE	•	•
INTERNAL SEAT POST CABLE	•	•
DI2-READY		
	•	•
FD-STANDARD		
1x specific		1x specific
FRAMEWEIGHT		
2,6 kg		
COCKPIT		
HANDLEBAR WIDTH	760 mm	760 mm
HANDLEBAR RISE	20 mm	20 mm
STEM LENGTH	35 mm	35 mm
STEM DIAMETER	35 mm	35 mm
CRANK LENGTH		
	S: 170 mm	
	M/L/XL: 175 mm	



FS = ST frame size = seat tube [mm] TT top tube [mm] HT head tube [mm]
 HTA head tube angle [°] STA seat tube angle [°] CS chain stay length [mm] BD bottom bracket drop [mm]
 FO fork length [mm] SH stand over height [mm] S stack [mm] R reach [mm] WB wheel base [mm]

ONE-SIXTY CFA

FS	S	M	L
ST	400	430	470
TT	563	597	632
HT	100	110	125
HTA	65.3	65.3	65.3
STA	75	75	75
CS	430	430	430
BD	6	6	6
FO	562	562	562
SH	717	736	766
S	592	601	614
R	415	445	475
WB	1166	1201	1237

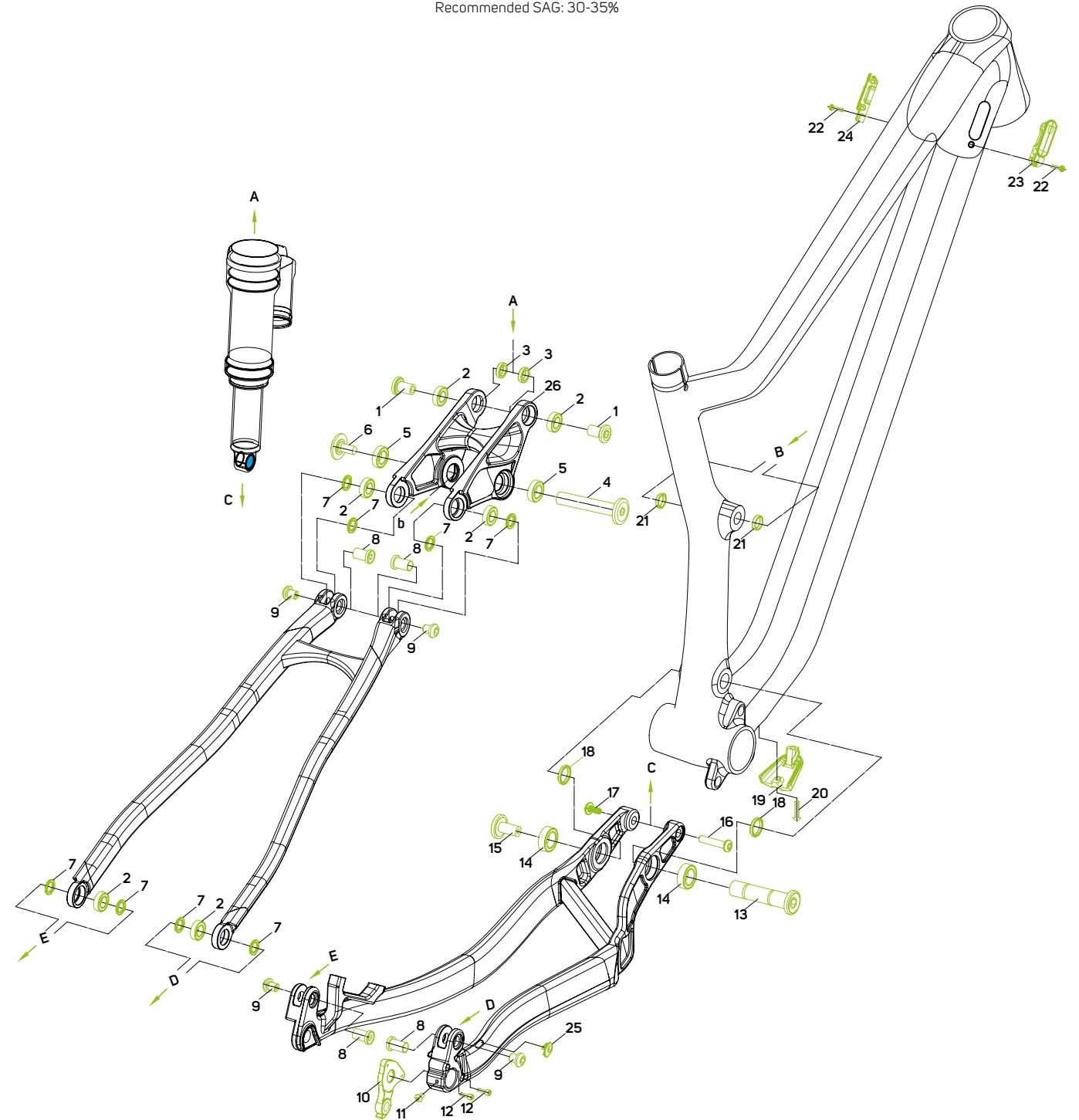
ONE-SIXTY LITE

FS	S	M	L	XL
ST	355	430	470	490
TT	559	591	630	648
HT	105	110	125	130
HTA	65.3	65.3	65.3	65.3
STA	75	75	75	75
CS	430	430	430	430
BD	6	6	6	6
FO	562	562	562	562
SH	713	734	757	765
S	595	599	613	617
R	410	440	474	490
WB	1157	1189	1223	1247

ONE-SIXTY CARBON

MM	SHAFT EYELET PIN WIDTH	PIN ID	BODY EYELET PIN WIDTH	PIN ID
205 x 62.5mm	-	-	40 mm	8 mm

Recommended SAG: 30-35%

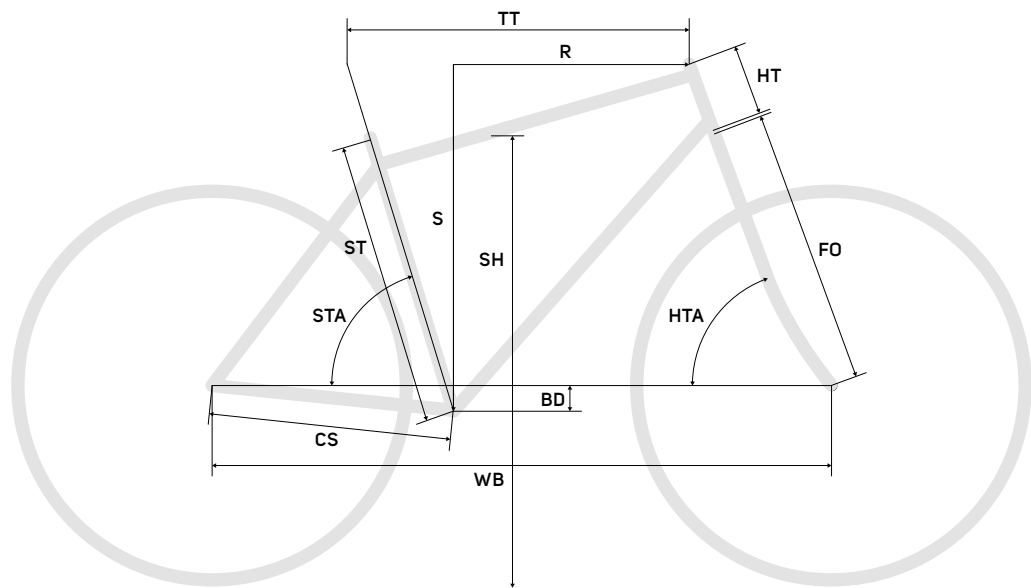


NO.	ITEM NO.	ITEM	DETAIL INFORMATION	PIECES	TORQUE NM
1	2300011274	BOLT		2	14
2	2221001736	BEARING	6800V-2RS 19D*10D*5W	6	
3	2294004440	WASHER		2	
4	2300011296	BOLT		1	12
5	2221001509	BEARING	6801V-2RS 21D*12D*5W	2	
6	2300011285	SCREW		1	12
7	2294004451	WASHER		8	
8	2300011263	BOLT		4	12
9	2300011252	SCREW		4	12
10	2311004928	HANGER		1	
11	2300005272	SCREW		1	5
12	2300010950	SCREW		2	5
13	2300011315	BOLT		1	14
14	2221001446	BEARING	3802V-2RD 24D*15D*7W	2	
15	2300011304	SCREW		1	14
16	2300011564	BOLT		1	10
17	2300011575	SCREW		1	10
18	2294004462	WASHER		2	
19	2258003867	CABLE GUIDE		1	
20	2300009890	SCREW		1	5
21	2294004439	WASHER		2	
22	2300011412	SCREW		2	4
23	-	SMART ENTRY		1	
24	-	SMART ENTRY		1	
25	2258003812	CABLE GUIDE		1	
26	-	ROCKER		1	

eNINETY-NINE

FRAME	eNINETY-NINE
MAX. WHEELSIZE	29x2.25"
DRIVE UNIT	Shimano E6000
BATTERY	Shimano E8000
HEAD TUBE	•
TAPERED 1-1/8 - 1.5	
HEADSET	•
SEMI-INTEGRATED (44-55 mm)	
BRAKE STANDARD	
DISC BRAKE ON CHAIN STAY	•
POST MOUNT 180MM REAR BRAKE	•
SEATPOST DIAMETER	•
30.9 mm	
REAR DROPOUT-STANDARD	
BOOST 12x148	•
CABLE ROUTING	
INTERNAL SHIFTING CABLES	•
INTERNAL BRAKE CABLE	•
INTERNAL SEAT POST CABLE	•
D12-READY	•
EQUIPMENT OPTIONS	
HEBIE 40mm	•
CARRIER MOUNT FRAME	•
FENDER MOUNT FRAME	•
COCKPIT	
HANDLEBAR WIDTH	720 mm
HANDLEBAR RISE	10 mm
STEM LENGTH	S: 70 mm, M: 80 mm, L: 90 mm, XL: 100 mm
STEM DIAMETER	31,8 mm
CRANK LENGTH	S: 170 mm, M/L/XL: 175 mm

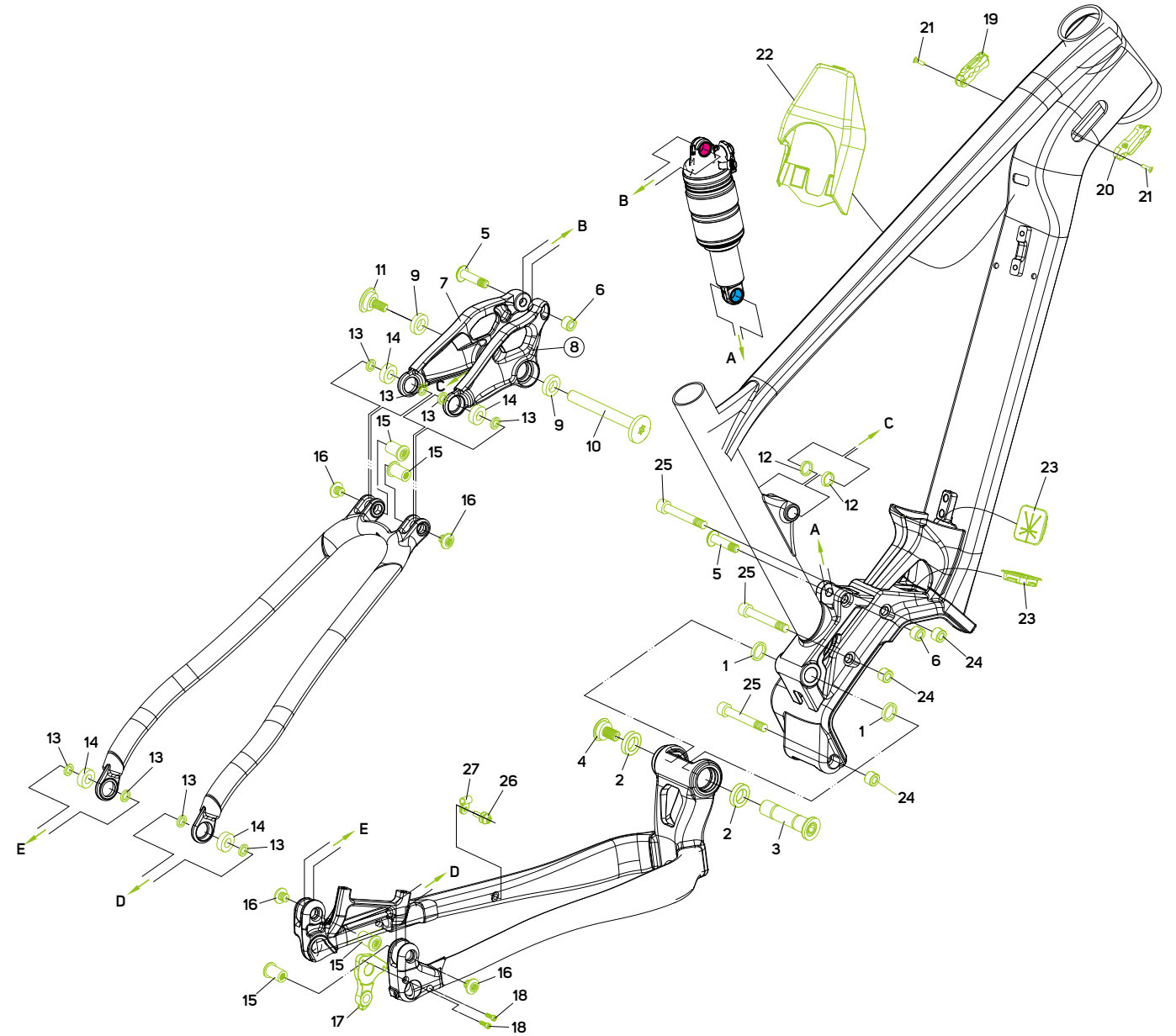
eNINETY-NINE				
FS	S(40)	M(44)	L(49)	XL(54)
ST	390	430	470	510
TT	570	585	600	615
HT	110	115	125	135
HTA	68	68	68	68
STA	74	74	74	74
CS	480	480	480	480
BD	40	40	40	40
FO	511	511	511	511
SH	720	755	790	823
S	597	601	611	620
R	399	413	425	437
WB	1157	1173	1189	1205



FS = ST frame size = seat tube [mm] TT top tube [mm] HT head tube [mm] HTA head tube angle [°]
 STA seat tube angle [°] CS chain stay length [mm] BD bottom bracket drop [mm] FO fork length [mm]
 SH stand over height [mm] S stack [mm] R reach [mm] WB wheel base [mm]

MM	SHAFT EYELET PIN WIDTH	PIN ID	BODY EYELET PIN WIDTH	PIN ID
165 x 38 mm	22.2 mm	8 mm	22.2 mm	8 mm

Recommended SAG: 20-25%

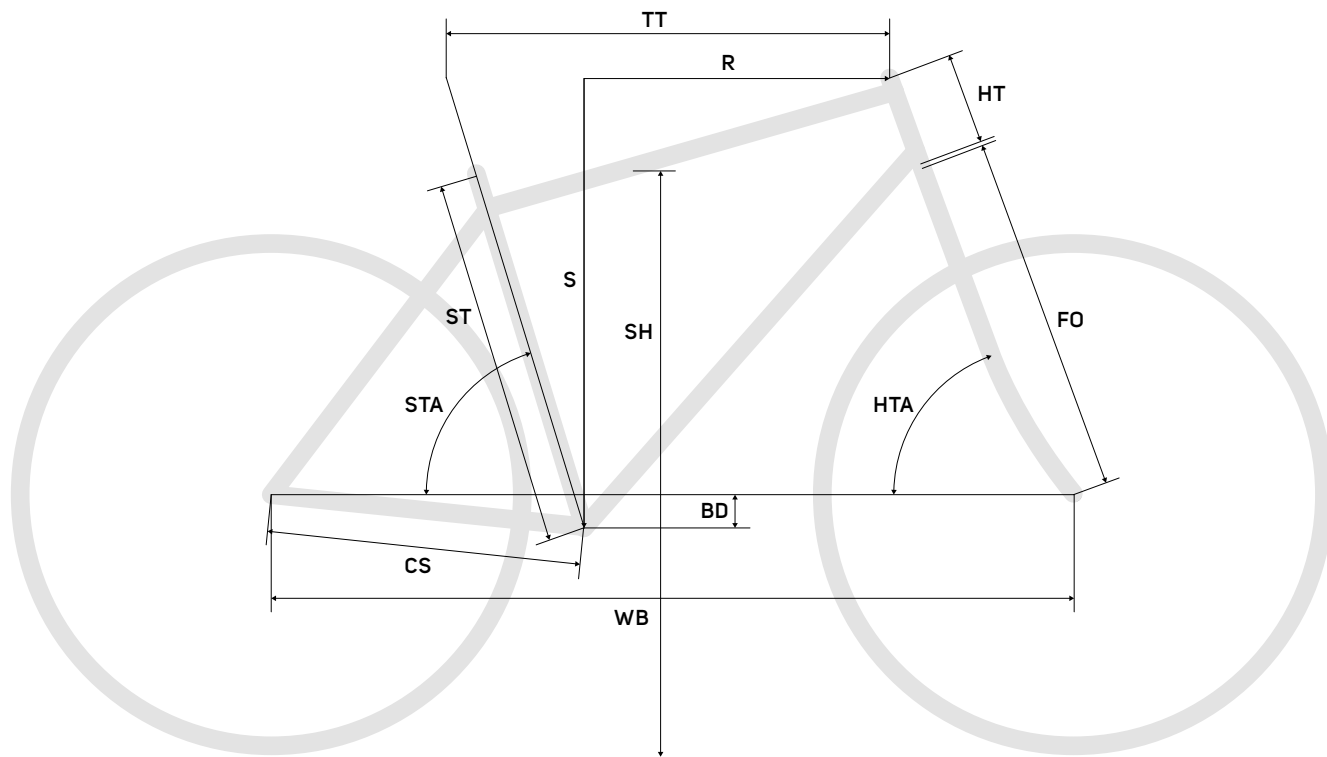


NO.	ITEM NO.	ITEM	DETAIL INFORMATION	PIECES	TORQUE NM
1	2294001180	WASHER		2	
2	2221001695	BEARING	1524F 24D*15D*5W	2	
3	2300011445	BOLT		1	
4	2300011081	SCREW		1	18
5	2300011638	BOLT		2	14
6	2302001104	NUT		2	
7		ROCKER		1	
8		ROCKER		1	
9	2221001703	BEARING	6801V-2RS 21D*12D*5W	2	
10	2300011456	BOLT		1	
11	2300011467	SCREW		1	14
12	2294002255	WASHER		2	
13	2294003427	WASHER		8	
14	2221001736	BEARING	6800V2RS 19D*10D*5W	4	
15	2300011616	BOLT		4	
16	2300011627	SCREW		4	12
17	2311004928	HANGER		1	
18	2300010950	SCREW		2	4
19		SMART ENTRY		1	
20		SMART ENTRY		1	
21	2300011412	SCREW		2	4
22	2161000421	BATTERY COVER	FOR SIZE S/M	1	
22	2161000432	BATTERY COVER	FOR SIZE L/XL	1	
23	2143002869	PLUG		2	
24	2302002053	NUT		3	
25	2300011735	BOLT		3	16
26	2298006884	SCREW		1	7
27	2258000217	CABLE GUIDE		1	

eONE-TWENTY

FRAME	eONE-TWENTY
MAX. WHEELSIZE	27.5x2.8"
DRIVE UNIT	Shimano E8000
BATTERY	Shimano E8000
HEAD TUBE	
TAPERED 1-1/8 - 1.5	•
HEADSET	
SEMI-INTEGRATED (44-55 mm)	•
BRAKE STANDARD	
DISC BRAKE ON CHAIN STAY	•
POST MOUNT 180 mm REAR BRAKE	•
SEATPOST DIAMETER	
30.9 mm	•
REAR DROPOUT-STANDARD	
BOOST 12x148	•
CABLE ROUTING	
INTERNAL SHIFTING CABLES	•
INTERNAL BRAKE CABLE	•
INTERNAL SEAT POST CABLE	•
D12-READY	
	•
COCKPIT	
HANDLEBAR WIDTH	760 mm
HANDLEBAR RISE	20 mm
STEM LENGTH	55 mm
STEM DIAMETER	35 mm
CRANK LENGTH	
	170 mm

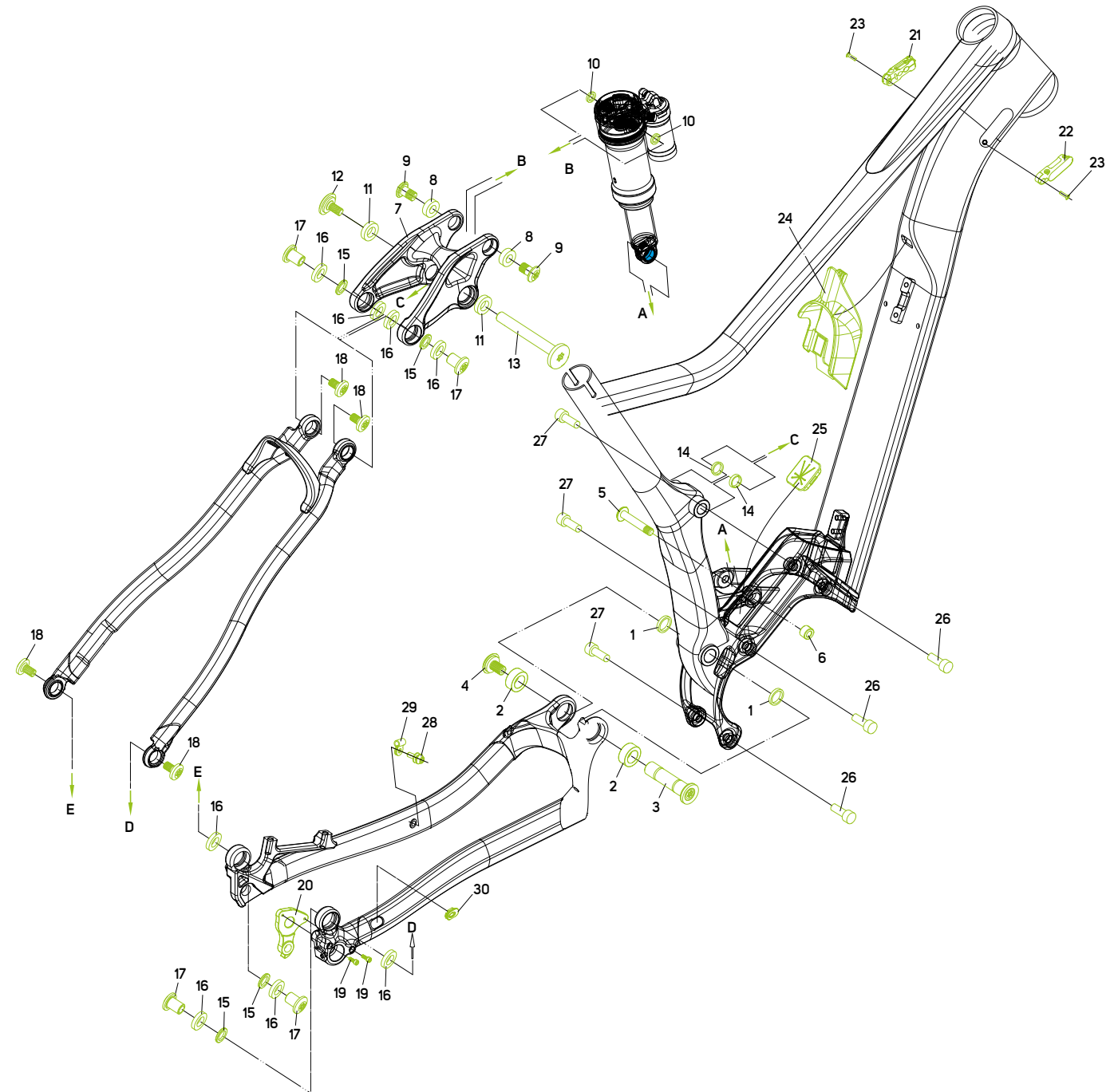
eONE-TWENTY				
FS	S(40)	M(44)	L(49)	XL(54)
ST	400	440	490	540
TT	583	601	623	646
HT	110	120	130	140
HTA	67.5	67.5	67.5	67.5
STA	75	75	75	75
CS	439.5	439.5	439.5	439.5
BD	27.5	27.5	27.5	27.5
FO	541	541	541	541
SH	698	730	751	783
S	609	619	628	637
R	420	435	455	475
WB	1155	1174	1198	1221



FS = ST frame size = seat tube [mm] TT top tube [mm] HT head tube [mm] HTA head tube angle [°]
 STA seat tube angle [°] CS chain stay length [mm] BD bottom bracket drop [mm] FO fork length [mm]
 SH stand over height [mm] S stack [mm] R reach [mm] WB wheel base [mm]

MM	SHAFT EYELET PIN WIDTH	PIN ID	BODY EYELET PIN WIDTH	PIN ID
185x55 mm	-	-	40 mm	8 mm

Recommended SAG: 25-30%

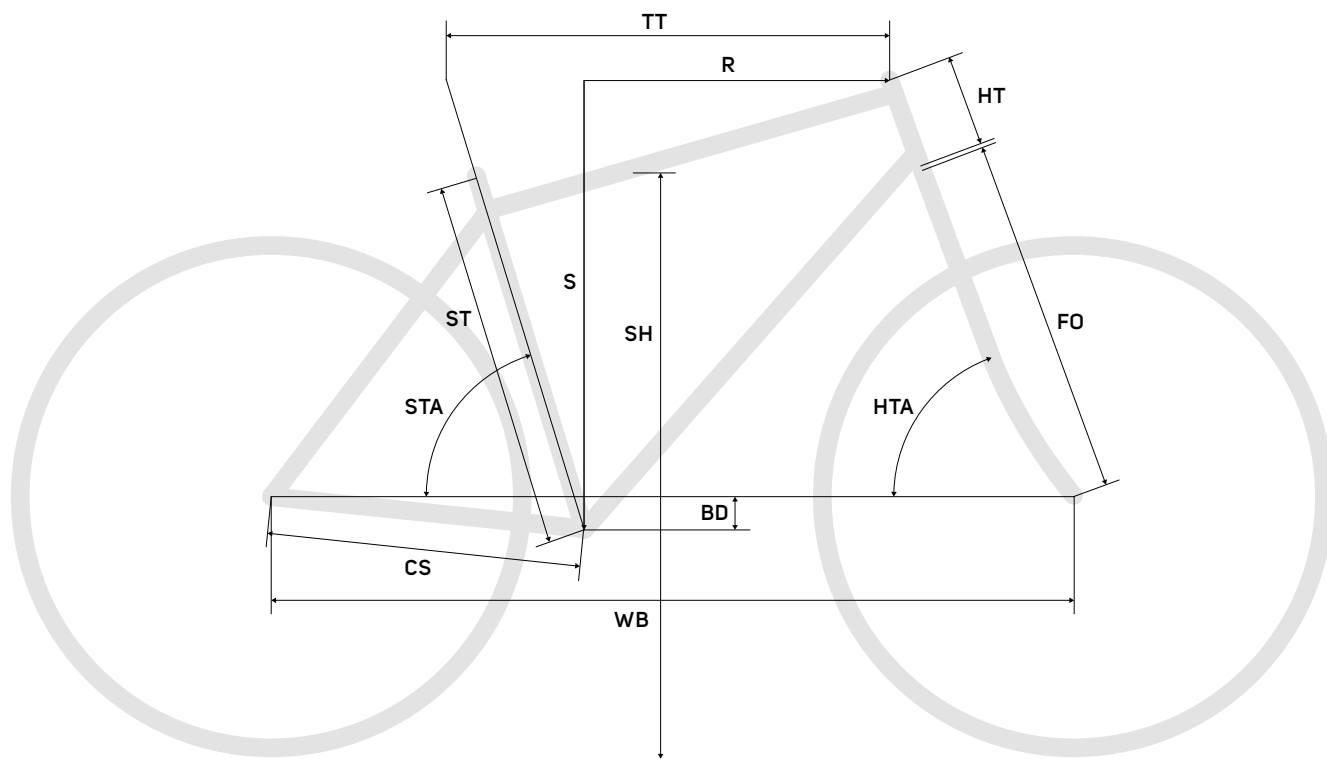


NO.	ITEM NO.	ITEM	DETAIL INFORMATION	PIECES	TORQUE NM
1	2294001180	WASHER		2	
2	2221002191	BEARING	3802V-2RD 24D*15D*7W	2	
3	2300012662	BOLT		1	18
4	2300012673	SCREW		1	14
5	2300011876	BOLT		1	14
6	2302002127	NUT		1	
7		ROCKER		1	
8	2221001736	BEARING	6800V2RS 19D*10D*5W	2	
9	2300011865	SCREW		2	16
10	2294004633	WASHER		2	
11	2221001703	BEARING	6801V-2RS 21D*12D*5W	2	
12	2300012695	SCREW		1	14
13	2300012684	BOLT		1	
14	2294002255	WASHER		2	
15	2294004826	WASHER		4	
16	2221002328	BEARING	12214V-2RS 21D*12D*4W	8	
17	2300012703	BOLT		4	
18	2300012714	SCREW		4	14
19	2300010950	SCREW		2	4
20	2311004928	HANGER		1	
21		SMART ENTRY		1	
22		SMART ENTRY		1	
23	2300011412	SCREW		2	4
24	2161000625	BATTERY COVER	FOR SIZE S AND L	1	
24	2161000636	BATTERY COVER	FOR SIZE M	1	
25	2143002869	PLUG		1	
26	2300012101	SCREW		3	16
27	2300012112	SCREW		3	16
28	2298002501	SCREW		1	7
29	2258000217	CABLE GUIDE		1	
30	2258003801	CABLE GUIDE		1	

eONE-SIXTY

FRAME	eONE-SIXTY
MAX. WHEELSIZE	27.5x2.8"
DRIVE UNIT	Shimano E8000
BATTERY	Shimano E8000
HEAD TUBE	
TAPERED 1-1/8 - 1.5	•
HEADSET	
SEMI-INTEGRATED (44-55 mm)	•
BRAKE STANDARD	
DISC BRAKE ON CHAIN STAY	•
POST MOUNT 180 mm REAR BRAKE	•
SEATPOST DIAMETER	
30.9 mm	•
REAR DROPOUT-STANDARD	
BOOST 12x148	•
CABLE ROUTING	
INTERNAL SHIFTING CABLES	•
INTERNAL BRAKE CABLE	•
INTERNAL SEAT POST CABLE	•
D12-READY	
	•
COCKPIT	
HANDLEBAR WIDTH	760 mm
HANDLEBAR RISE	20 mm
STEM LENGTH	35 mm
STEM DIAMETER	35 mm
CRANK LENGTH	
	170 mm

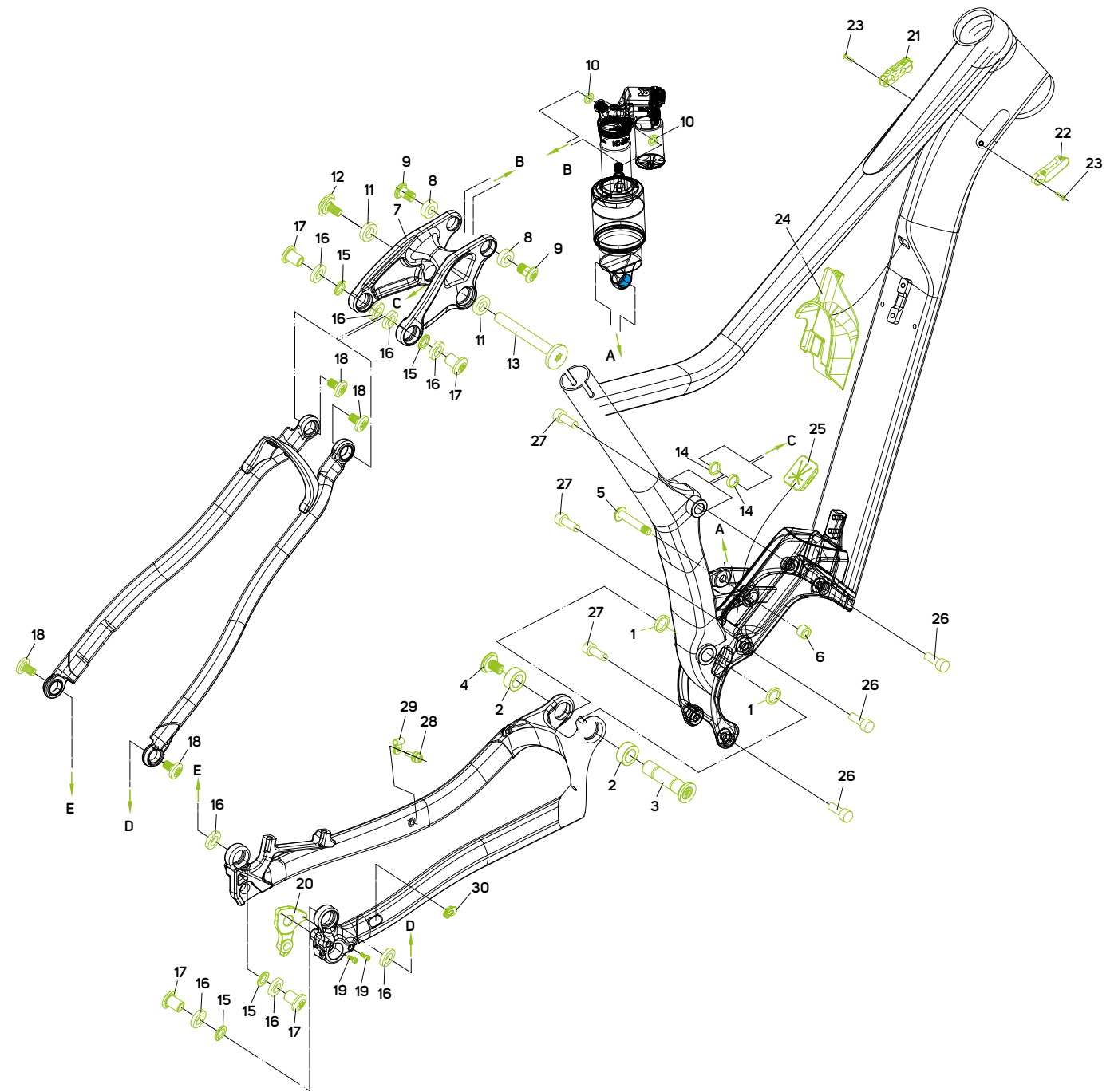
eONE-SIXTY				
FS	S(40)	M(44)	L(49)	XL(54)
ST	410	430	470	510
TT	583	608	634	658
HT	100	120	140	160
HTA	66.5	66.5	66.5	66.5
STA	75	75	75	75
CS	439.5	439.5	439.5	439.5
BD	12.5	12.5	12.5	12.5
FO	571	571	571	571
SH	724	727	757	789
S	608	626	644	663
R	420	440	460	480
WB	1174	1202	1230	1258



FS = ST frame size = seat tube [mm] TT top tube [mm] HT head tube [mm] HTA head tube angle [°]
 STA seat tube angle [°] CS chain stay length [mm] BD bottom bracket drop [mm] FO fork length [mm]
 SH stand over height [mm] S stack [mm] R reach [mm] WB wheel base [mm]

MM	SHAFT EYELET PIN WIDTH	PIN ID	BODY EYELET PIN WIDTH	PIN ID
205 x 65 mm	-	-	40 mm	8 mm

Recommended SAG: 30-35%

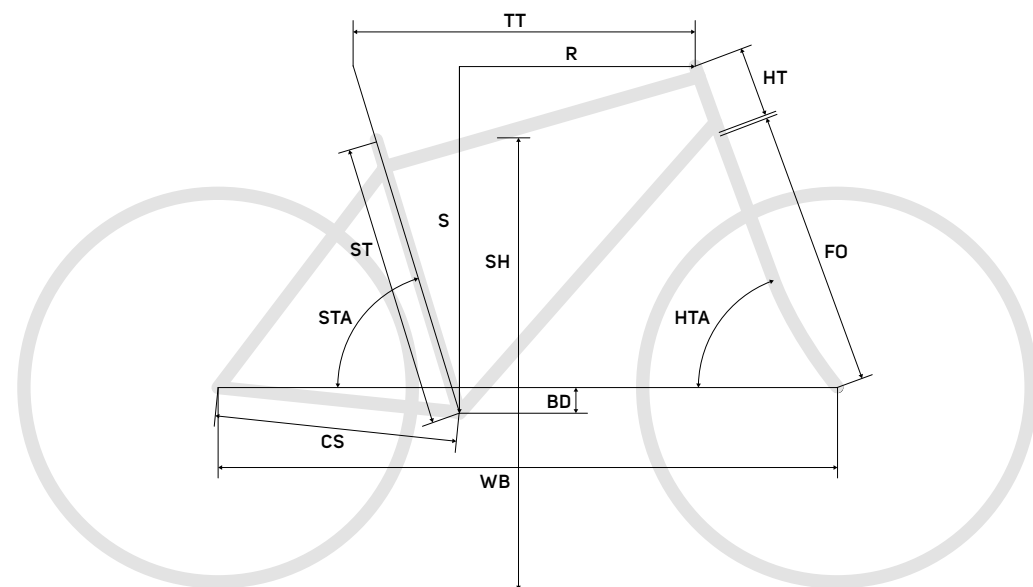


NO.	ITEM NO.	ITEM	DETAIL INFORMATION	PIECES	TORQUE NM
1	2294001180	Washer		2	
2	2221002191	Bearing	3802V-2RD 24D*15D*7W	2	
3	2300012662	Bolt		1	18
4	2300012673	Screw		1	14
5	2300011876	Bolt		1	14
6	2302002127	Nut		1	
7		Rocker		1	
8	2221001736	Bearing	6800V2RS 19D*10D*5W	2	
9	2300011865	Screw		2	16
10	2294004633	Washer		2	
11	2221001703	Bearing	6801V-2RS 21D*12D*5W	2	
12	2300012695	Screw		1	14
13	2300012684	Bolt		1	
14	2294002255	Washer		2	
15	2294004826	Washer		4	
16	2221002328	Bearing	12214V-2RS 21D*12D*4W	8	
17	2300012703	Bolt		4	
18	2300012714	Screw		4	14
19	2300010950	Screw		2	4
20	2311004928	Hanger		1	
21		Smart Entry		1	
22		Smart Entry		1	
23	2300011412	Screw		2	4
24	2161000625	Battery Cover	FOR SIZE S AND L	1	
24	2161000636	Battery Cover	FOR SIZE M	1	
25	2143002869	Plug		1	
26	2300012101	Screw		3	16
27	2300012112	Screw		3	16
28	2298002501	Screw		1	7
29	2258000217	Cable Guide		1	
30	2258003801	Cable Guide		1	

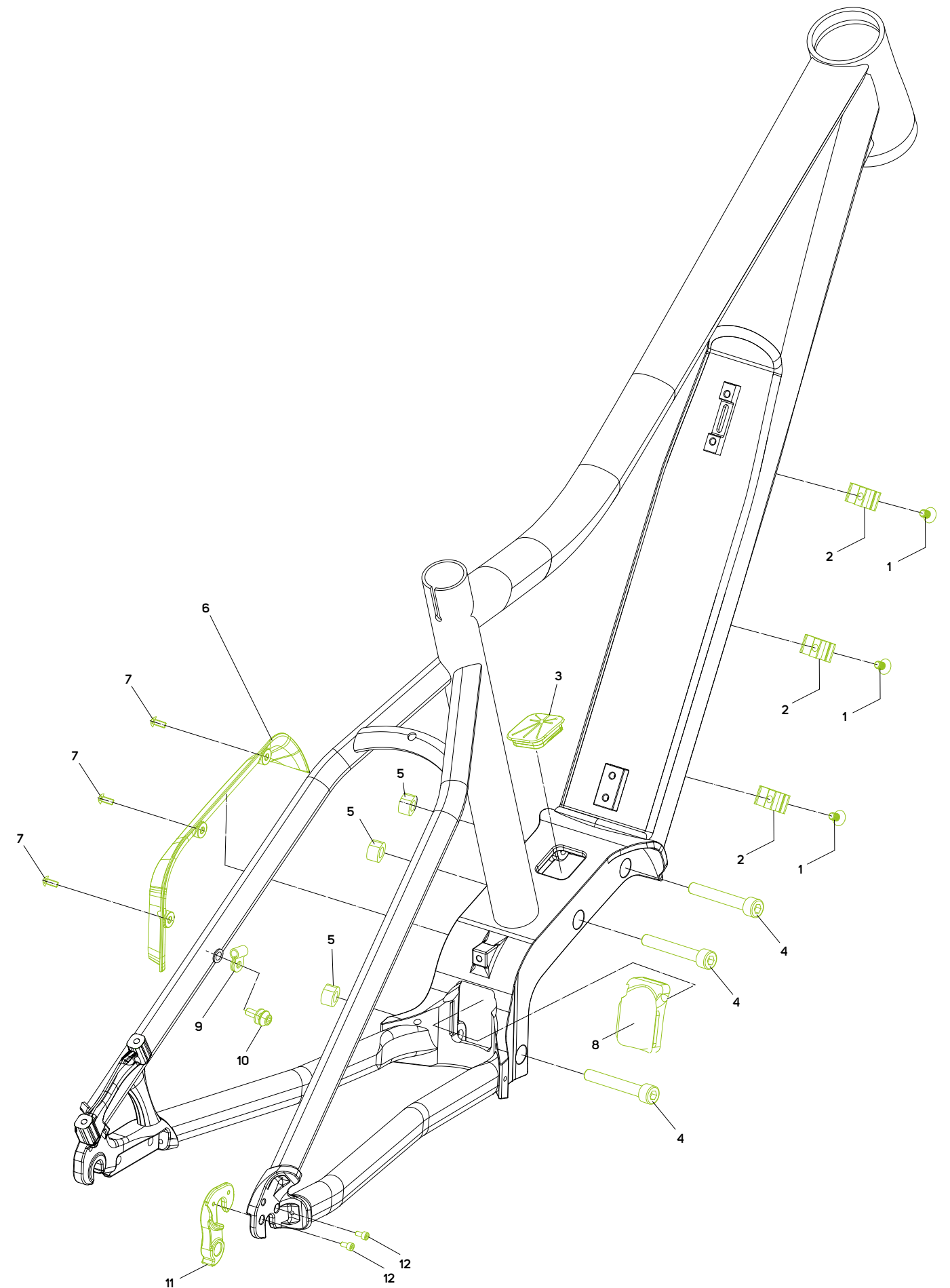
eBIG.TOUR

FRAME	eBIG.TOUR
MAX. WHEELSIZE	27,5x2,25" / 29x2,25"
DRIVE UNIT	Shimano E6000
BATTERY	Shimano E8000
HEAD TUBE	
TAPERED 1-1/8 - 1.5	•
HEADSET	
SEMI-INTEGRATED (44-55 mm)	•
BRAKE STANDARD	
DISC BRAKE ON SEAT STAY	•
POST MOUNT 160 mm REAR BRAKE	•
SEATPOST DIAMETER	
30.9 mm	•
REAR DROPOUT-STANDARD	
QUICK RELEASE 9 mm	•
CABLE ROUTING	
INTERNAL SHIFTING CABLES	•
INTERNAL BRAKE CABLE	•
INTERNAL SEAT POST CABLE	•
DIZ-READY	
	•
EQUIPMENT OPTIONS	
HEBIE 40MM	•
CARRIER MOUNT FRAME	•
FENDER MOUNT FRAME	•
FENDER MOUNT FORK	•
COCKPIT	
HANDLEBAR WIDTH	720 mm
HANDLEBAR RISE	10 mm
STEM LENGTH	S-M: 80 mm, L-XL: 90 mm
STEM DIAMETER	31,8 mm
CRANK LENGTH	
	S: 170 mm, M/L/XL: 175 mm

eBIG.TOUR					
FS	S(27.5)	M(27.5)	M(29)	L(29)	XL(29)
ST	410	440	440	480	520
TT	560	580	580	600	620
HT	135	145	135	145	155
HTA	69	69	69.5	69.5	69.5
STA	72.5	72.5	73	73	73
CS	455	455	475	475	475
BD	50	50	70	70	70
FO	487	487	506	506	506
SH	680.5	704	708	740	770.5
S	615.6	625	654	664	673
R	366	383	380	397	414
WB	1081	1101	1117	1138	1159



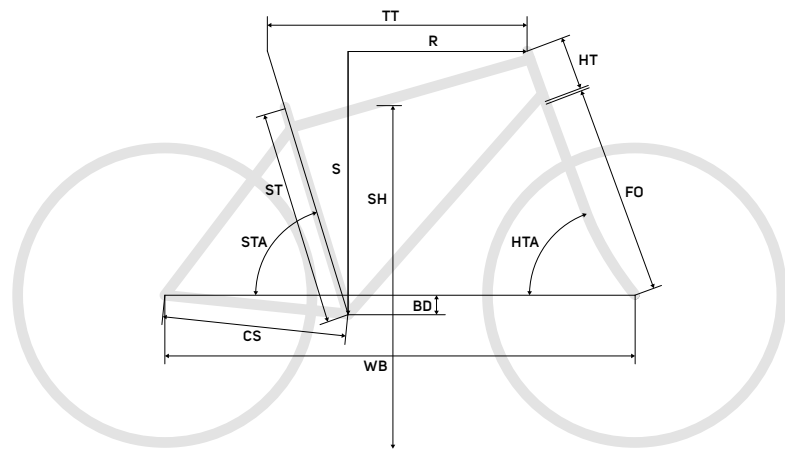
FS = ST frame size = seat tube [mm] TT top tube [mm] HT head tube [mm] HTA head tube angle [°]
 STA seat tube angle [°] CS chain stay length [mm] BD bottom bracket drop [mm] FO fork length [mm]
 SH stand over height [mm] S stack [mm] R reach [mm] WB wheel base [mm]



NO.	ITEM NO.	ITEM	DETAIL INFORMATION	PIECES	TORQUE NM
1	2300002354	Screw		3	6
2	2258001627	Cable Guide		3	
3	2143002869	Plug		1	
4	2300010013	Bolt		3	14
5	2302002053	Nut		3	
6	9081001058	Cover		1	
7	2300010615	Screw		3	5
8	2143001750	Plug		1	
9	2258000217	Cable Guide		1	
10	2298002501	Screw		1	6
11	2311002346	Hanger		1	
12	2300000772	Screw		2	4

eBIG.NINE/SEVEN

FRAME	eBIG.NINE/SEVEN E8000	eBIG.NINE/SEVEN
MAX. WHEELSIZE	27,5x2.25" / 29x2.25"	27,5x2.25" / 29x2.25"
DRIVE UNIT	Shimano E8000	Shimano E6000
BATTERY	Shimano E8000	Shimano E8000
HEAD TUBE		
TAPERED 1-1/8 - 1.5	•	•
HEADSET		
SEMI-INTEGRATED (44-55 mm)	•	•
BRAKE STANDARD		
DISC BRAKE ON CHAIN STAY	•	•
POST MOUNT 180 mm REAR BRAKE	•	•
SEATPOST DIAMETER		
30.9 mm	•	•
REAR DROPOUT-STANDARD		
BOOST 12x148	•	•
CABLE ROUTING		
INTERNAL SHIFTING CABLES	•	•
INTERNAL BRAKE CABLE	•	•
INTERNAL SEAT POST CABLE	•	•
DIZ-READY	•	•
EQUIPMENT OPTIONS		
HEBIE 40 mm	•	•
CARRIER MOUNT FRAME	•	•
FENDER MOUNT FRAME	•	•
COCKPIT		
HANDLEBAR WIDTH	720mm	720mm
HANDLEBAR RISE	10mm	10mm
STEM LENGTH	S: 70 mm, M: 80 mm, L: 90 mm, XL: 100 mm	S: 70 mm, M: 80 mm, L: 90 mm, XL: 100 mm
STEM DIAMETER	31,8 mm	31,8 mm
CRANK LENGTH	S: 170 mm, M/L/XL: 175 mm	S: 170 mm, M/L/XL: 175 mm



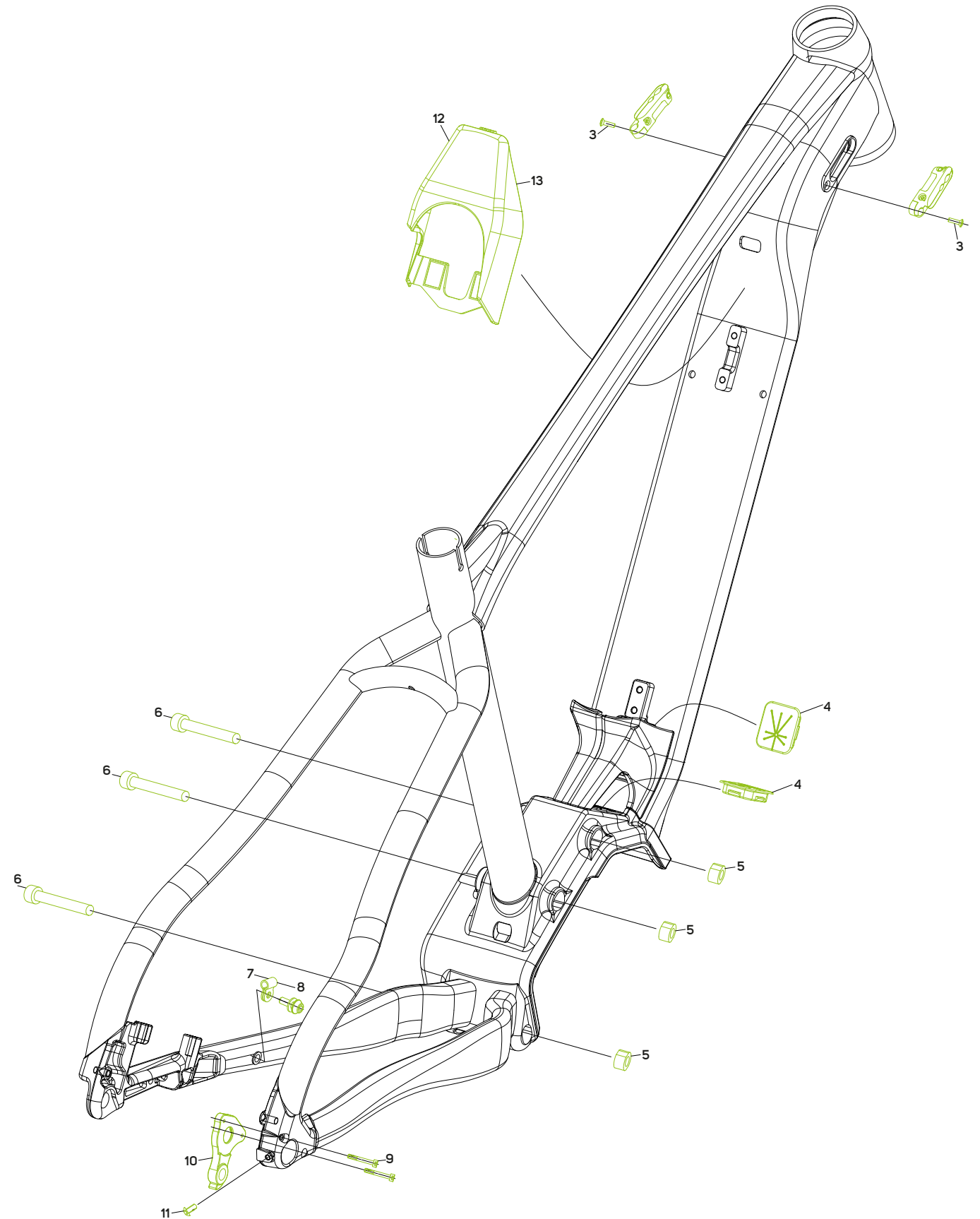
FS = ST frame size = seat tube [mm] TT top tube [mm] HT head tube [mm]
 HTA head tube angle [°] STA seat tube angle [°] CS chain stay length [mm] BD bottom bracket drop [mm]
 FO fork length [mm] SH stand over height [mm] S stack [mm] R reach [mm] WB wheel base [mm]

eBIG.NINE E8000		
FS	M(43)	L(48) XL(53)
ST	430	480 530
TT	590	610 630
HT	115	125 135
HTA	69.5	69.5 69.5
STA	73.5	73.5 73.5
CS	458	458 458
BD	65	65 65
FO	511	511 511
SH	733.3	777 819
S	634	643 652
R	402	420 437
WB	1123	1143 1164

eBIG.SEVEN E8000		
FS	S(38)	M(43)
ST	380	430
TT	570	590
HT	125	135
HTA	68	68
STA	73.5	73.5
CS	438	438
BD	27	27
FO	487	487
SH	710.3	749
S	579	588
R	399	416
WB	1104	1125

eBIG.NINE		
FS	M(29)	L(29) XL(29)
ST	430	480 530
TT	590	610 630
HT	115	125 135
HTA	69.5	69.5 69.5
STA	73.5	73.5 73.5
CS	475	475 475
BD	65	65 65
FO	511	511 511
SH	732	777 818
S	634	643 652
R	402	420 437
WB	1140	1161 1181

eBIG.SEVEN		
FS	S(27.5)	M(27.5)
ST	380	430
TT	570	590
HT	125	135
HTA	68	68
STA	73.5	73.5
CS	455	455
BD	27	27
FO	487	487
SH	717	756
S	578	587
R	399	416
WB	1123	1144

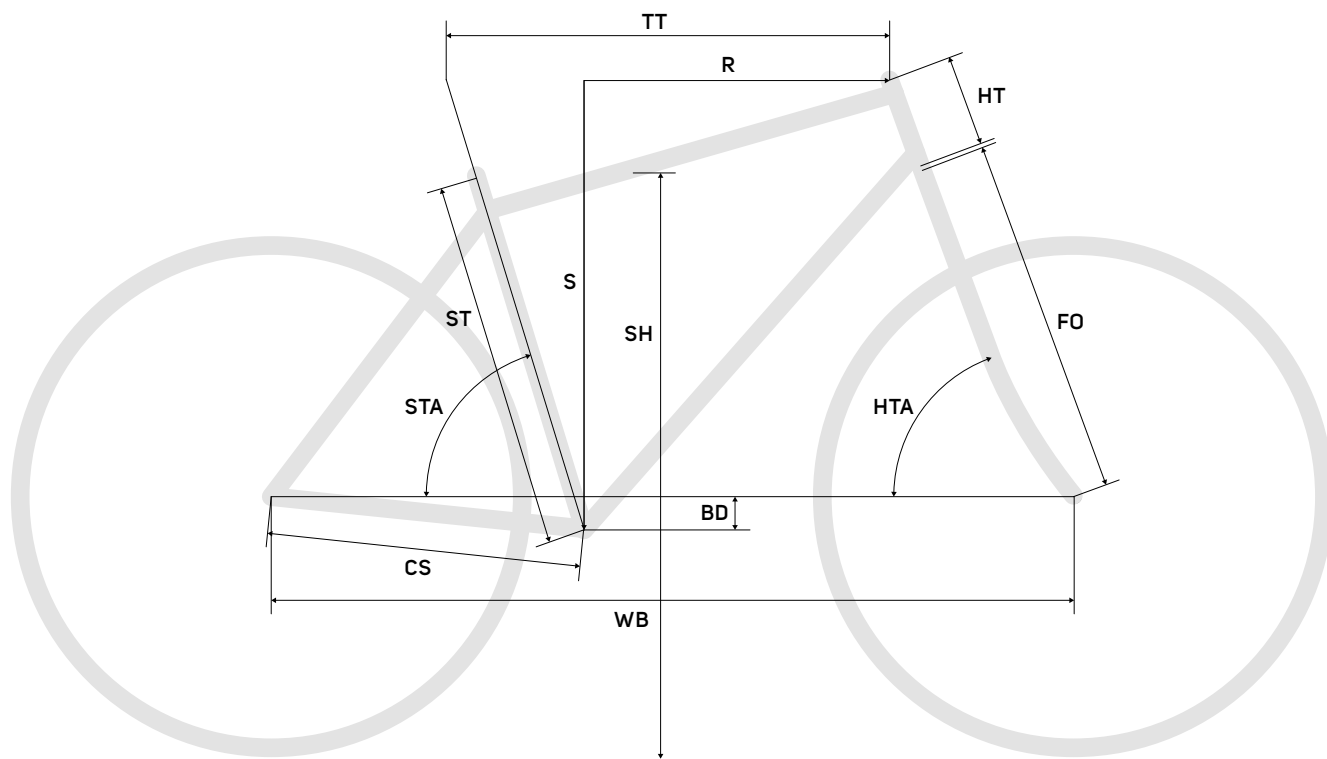


NO.	ITEM NO.	ITEM	DETAIL INFORMATION	PIECES	TORQUE NM
1		SMART ENTRY		1	
2		SMART ENTRY		1	
3	2300011412	SCREW		1	4
4	2143002869	CABLE PLUG		2	
5	2302002127	NUT		3	
6	2300011735	SCREW		3	14
7	2258000217	CABLE GUIDE		1	5
8	2298002501	SCREW		1	
9	2300010950	SCREW		2	4
10	2311004928	HANGER		1	
11	2300005272	SCREW		1	5
12	2161000432	BATTERY COVER FOR BIG.NINE		1	
13	2161000421	BATTERY COVER FOR BIG.SEVEN		1	

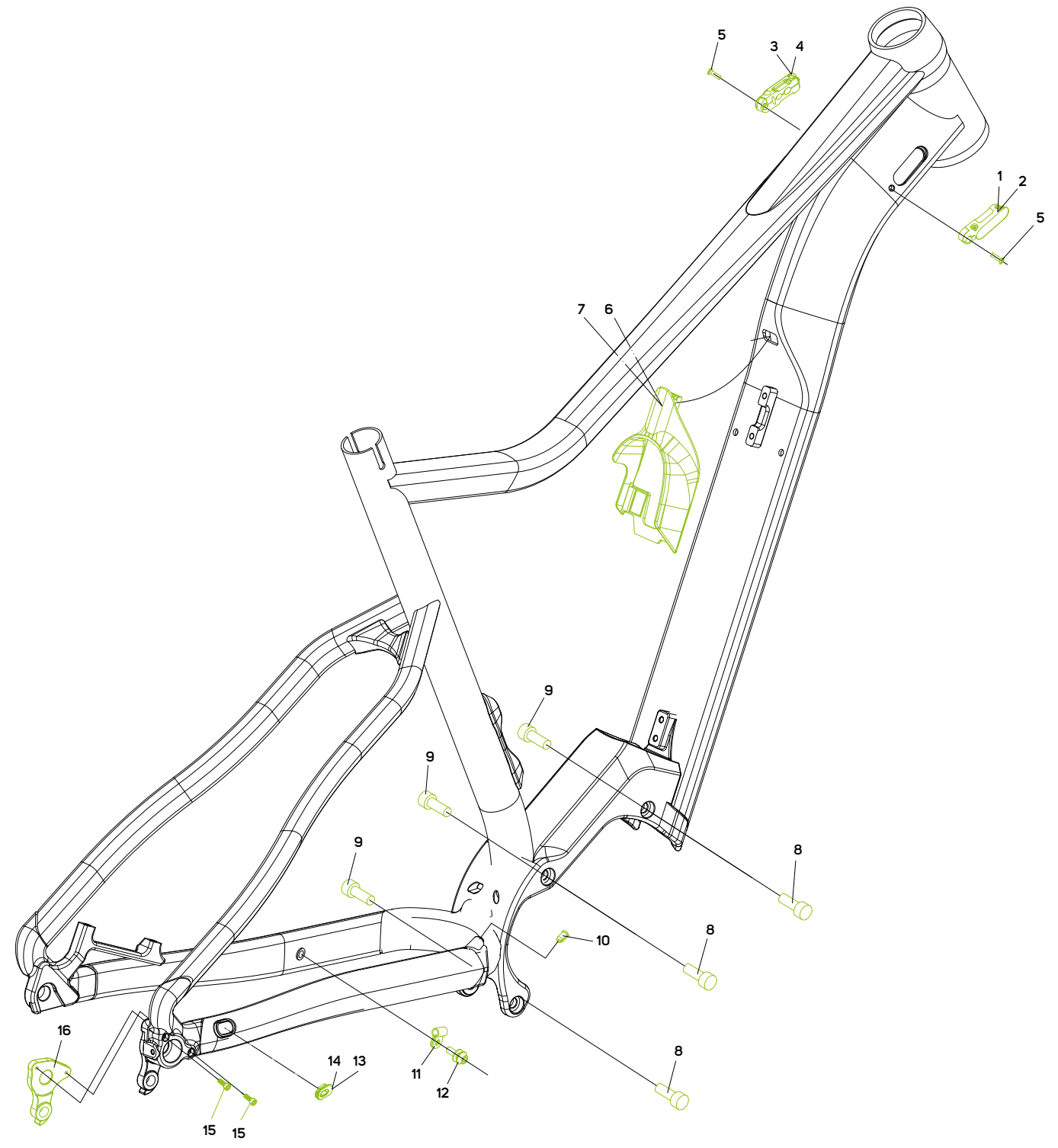
eBIG.TRAIL

FRAME	eBIG.TRAIL
MAX. WHEELSIZE	27.5x2.8"
DRIVE UNIT	Shimano E8000
BATTERY	Shimano E8000
HEAD TUBE	
TAPERED 1-1/8 - 1.5	•
HEADSET	
SEMI-INTEGRATED (44-55 mm)	•
BRAKE STANDARD	
DISC BRAKE ON CHAIN STAY	•
POST MOUNT 180 mm REAR BRAKE	•
SEATPOST DIAMETER	
30.9 MM	•
REAR DROPOUT-STANDARD	
BOOST 12x148	•
CABLE ROUTING	
INTERNAL SHIFTING CABLES	•
INTERNAL BRAKE CABLE	•
INTERNAL SEAT POST CABLE	•
DI2-READY	
	•
COCKPIT	
HANDLEBAR WIDTH	760 mm
HANDLEBAR RISE	20 mm
STEM LENGTH	35 mm
STEM DIAMETER	35 mm
CRANK LENGTH	
	170 mm

eBIG.TRAIL				
FS	S(40)	M(44)	L(49)	XL(54)
ST	400	440	490	540
TT	582	604	627	649
HT	105	115	125	135
HTA	67.5	67.5	67.5	67.5
STA	74.5	74.5	74.5	74.5
CS	434.5	434.5	434.5	434.5
BD	60	60	60	60
FO	541	541	541	541
SH	650	682	705	736
S	637	647	656	665
R	405	425	445	465
WB	1130	1154	1177	1201

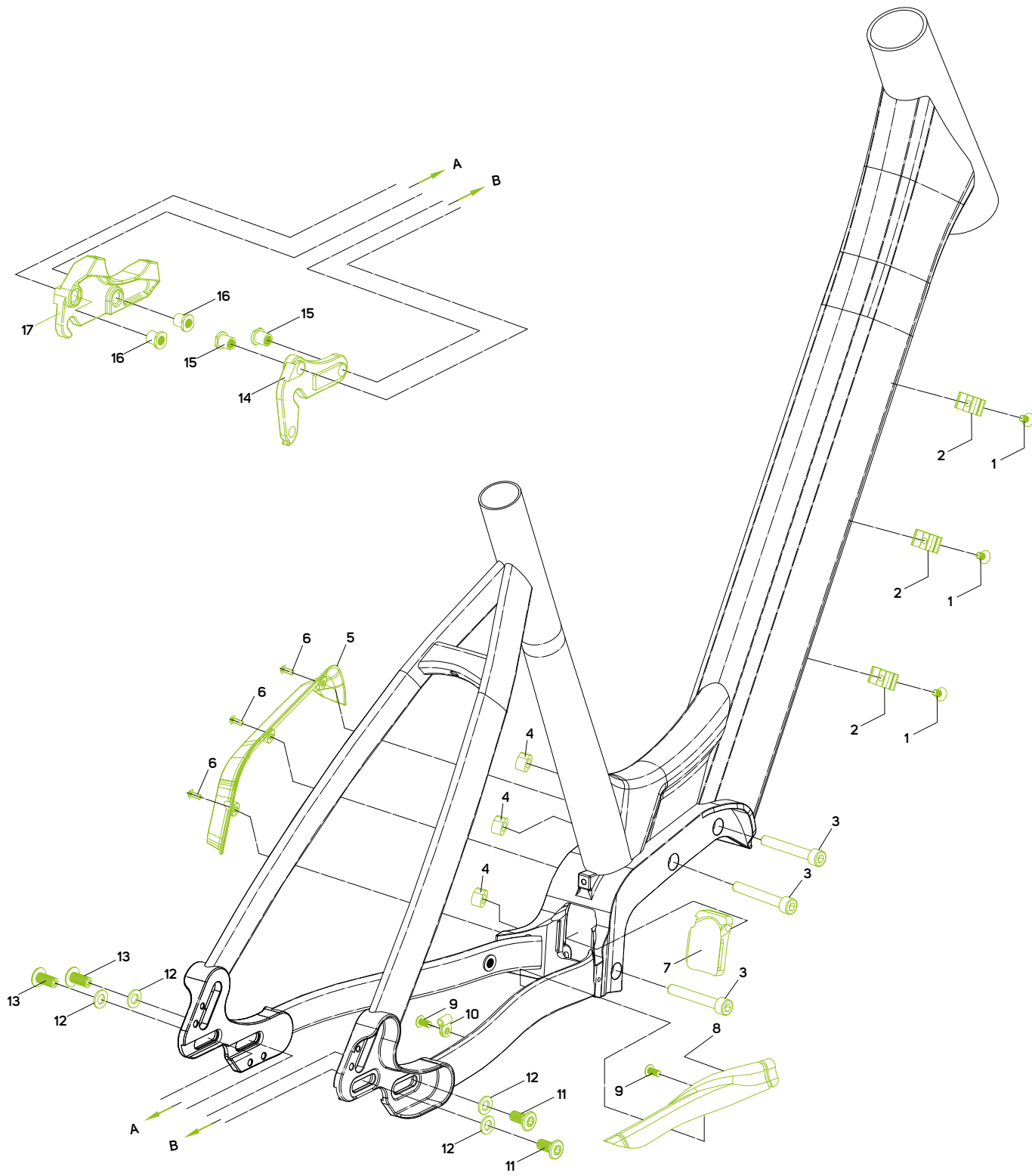


FS = ST frame size = seat tube [mm] TT top tube [mm] HT head tube [mm] HTA head tube angle [°]
 STA seat tube angle [°] CS chain stay length [mm] BD bottom bracket drop [mm] FO fork length [mm]
 SH stand over height [mm] S stack [mm] R reach [mm] WB wheel base [mm]



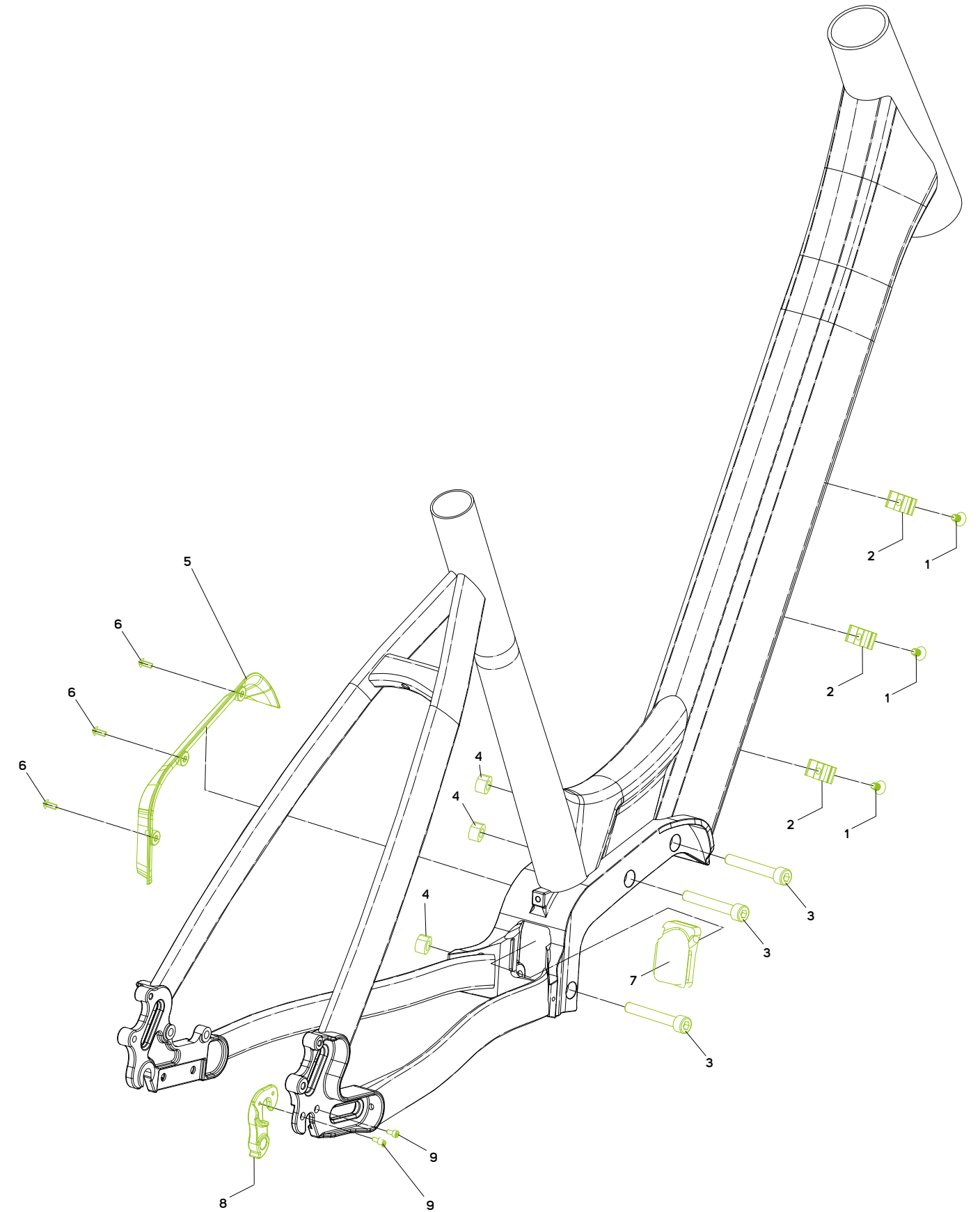
NO.	ITEM NO.	ITEM	DETAIL INFORMATION	PIECES	TORQUE NM
1		SMART ENTRY	1X4 MM	1	
2		SMART ENTRY		1	
3		SMART ENTRY		1	
4		SMART ENTRY		1	
5	2300011412	SCREW		1	4
6	2161000625	BATTERY COVER	FOR SIZE M AND XL	1	
7	2161000636	BATTERY COVER	FOR SIZE S AND L	1	
8	2300012101	SCREW		3	16
9	2300012112	SCREW		3	16
10	2258004868	CABLE PLUG	FOR DI2	1	
11	2258000217	CABLE GUIDE		1	
12	2298002501	SCREW		1	7
13	2258003793	CABLE GUIDE	FOR DI2	1	
14	2258003801	CABLE GUIDE	FOR MECHANICAL CABLE	1	
15	2300010950	SCREW		2	4
16	2311005101	HANGER		1	

**eSPRESSO CITY
GEAR HUB**



NO.	ITEM NO.	ITEM	PIECES	TORQUE NM
1	2300002354	SCREW	3	6
2	2258001627	CABLE GUIDE	3	
3	2300010013	BOLT	3	14
4	2302002053	NUT	3	
5	9081001058	COVER	1	
6	2300010615	SCREW	3	5
7	2143001750	PLUG	1	
8	2158002743	CHAIN STAY PROTECTOR	1	
9	2298006118	SCREW	2	6
10	2258000217	CABLE GUIDE	1	
11	2300008297	SCREW	2	120-140
12	2294002501	WASHER	3	
13	2300008305	SCREW	2	14
14	2311004401	HANGER	1	
15	2302001728	NUT	2	
16	2302001739	NUT	2	
17	2311004315	HANGER NON-DRIVESIDE	1	

eSPRESSO CITY



NO.	ITEM NO.	ITEM	DETAIL INFORMATION	PIECES	TORQUE NM
1	2300002354	SCREW		3	6
2	2258001627	CABLE GUIDE		3	
3	2300010013	BOLT		3	14
4	2302002053	NUT		3	
5	9081001058	COVER		1	
6	2300010615	SCREW		3	5
7	2143001750	PLUG		1	
8	2311002346	HANGER		1	
9	2300000772	SCREW		2	4