
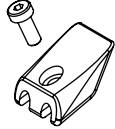
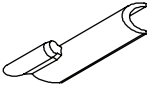
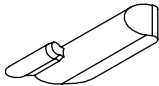

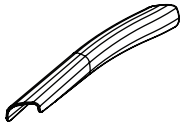
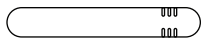

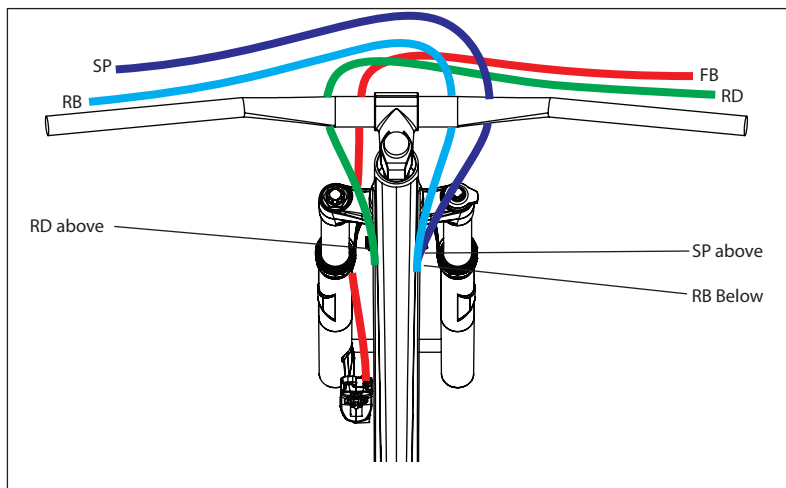
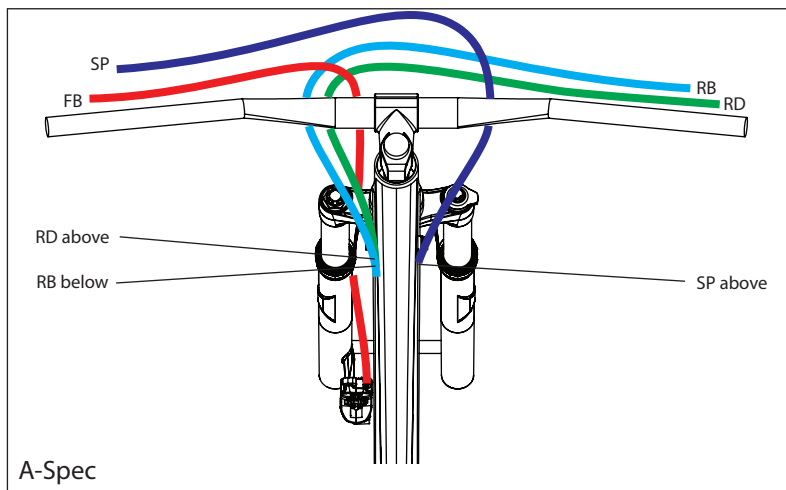


Item	Qty	Supplier	Part#	HARDWARE				
 ① P-Clip	x1	Unspecified source Yung Fang Plastic Co.,Ltd. yungfang@yungfang.com.tw	M5 x 12mm Button Head 959800-12-200 YF-W01	Part#	Thread	Material	Qty.	Description
 ② Cable Guide (2x Cable)	x3	Unspecified source Yung Fang Plastic Co.,Ltd. yungfang@yungfang.com.tw	(screw) 913400-005 M4 x 14mm capscrew 914100-015 (nor01963)	NOR02475 913500-007	M10X1.5	7075-T6	2	SHAFT, DIA10, L24.5, M10x1.5, HEX5
 ③ 5mm to 4mm Insert	x2	Yung Fang Plastic Co.,Ltd. yungfang@yungfang.com.tw	914100-017 (nor01953)	NOR02477 913300-008	NA	7075-T6	2	SPACER, ID10, OD14, T2
 ④ 5mm to Blank Insert	x1	Yung Fang Plastic Co.,Ltd. yungfang@yungfang.com.tw	914100-018 (nor01954)	NOR02894 913800-011	M6X1 INT	316SS	1	SHAFT, DIA8, L40, M6x1 INT, HEX5
 ⑤ Seat Collar	x1	Kalloy john@kalloyuno.com	915000-002 (nor02927)	NOR02899 913600-007 (kit)	M8X1.25 INT	7075-T6	1	SHAFT, DIA12, L63.5, M8x1.25 INT, HEX6
 ⑥ Chainstay Protector	x1	Velo anni.chang@velo.com.tw	915200-007 (VLF-270) (nor03537)	NOR02905 913500-012	M12X1.25	7075-T6	1	SHAFT, DIAM12, L82.5, M12X1.75, HEX5
 ⑦ Shuttle Guard	x1	Velo anni.chang@velo.com.tw	915500-001 (VLF-003-3 380/45)	NOR02906 913300-010	NA	7075-T6	6	SPACER, 12x3.5, OD18
 ⑧ Bottle Mount	x2	M5 x 16mm buttonhead Source as Required	913400-001	NOR02908 913700-004	M6X1	316SS	2	BOLT, DIA6, M6x1, HEX5
				NOR02909 913600-007 (kit)	M8X1.25	7075-T6	1	BOLT, DIA12, M8x1.25, HEX5
				NOR02910 913300-009	NA	7075-T6	2	SPACER, ID10, OD14
				NOR02913 913800-012	M6X1 INT	316SS	1	SHAFT, DIA8, L30, M6x1 INT, HEX5
				NOR03126 913400-010	M12X1.25	7075-T6	2	BOLT, DIA 12, L17, M12x1.75
				NOR03194 913700-002	M12X1.25	7075-T6	1	NUT, M12x1.25
				NOR08215 913015-006	*REVERSE THREADS			HANGER
				NOR08216 913020-004	*REVERSE THREADS			HANGER NUT
				NOR04995 913105-003	TA SHAFT L174 TL20 M12X1.75			REAR AXLE
				Torque Specs				
				Upper Shock		6nm		
				Lower shock		6nm		
				Swinglink main pivot		10nm		
				BB main pivot		12nm		
				Swinglink bridge bolt		6nm		
				Seatstay/swinglink pivot		10nm		
				Chainstay/Seatstay pivot		8nm		
				Hanger fixing screw		1-2nm		
				Axle		10nm		
				Gizmo's		1-2nm		



Cable guides requirements:

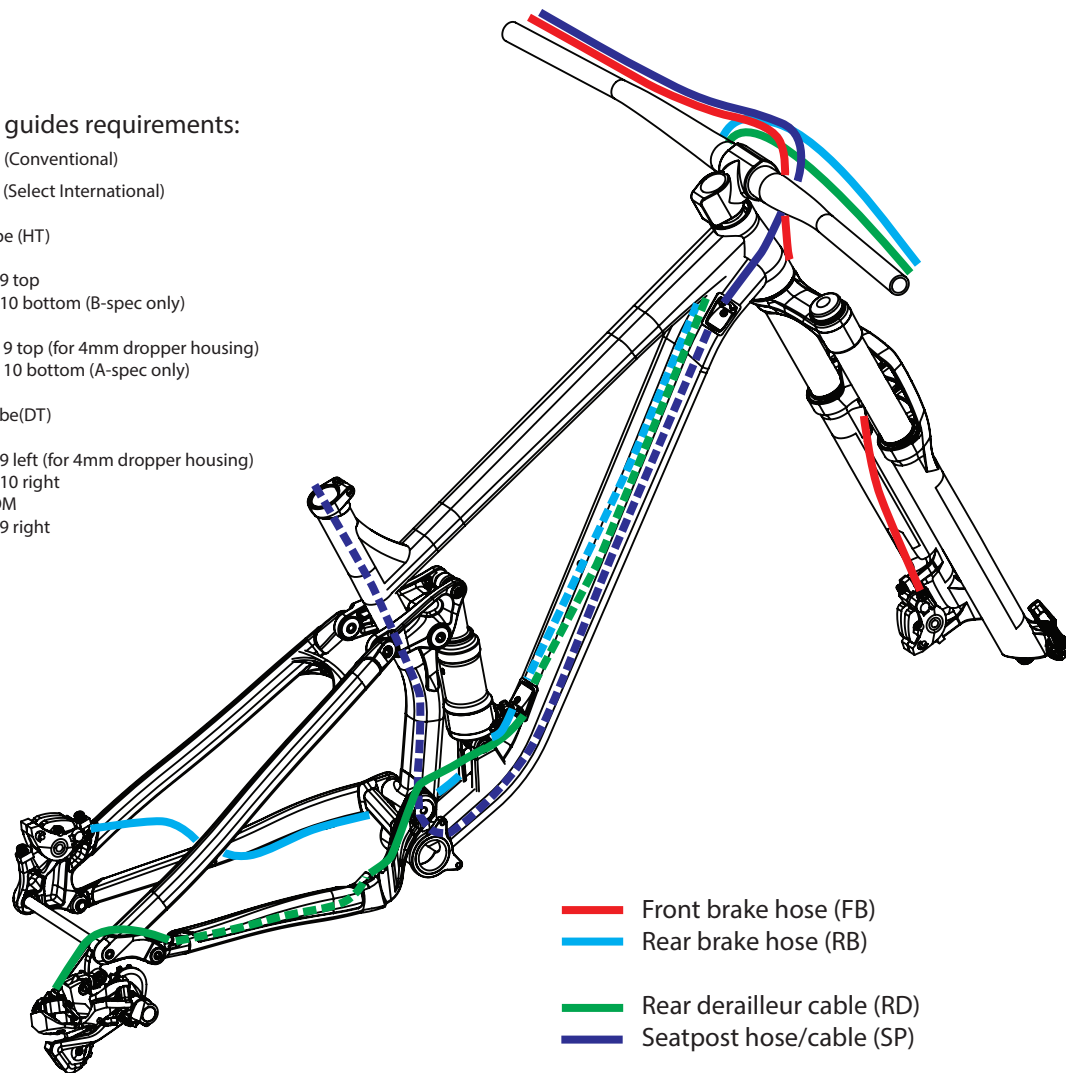
- A-Spec (Conventional)
- B-Spec (Select International)

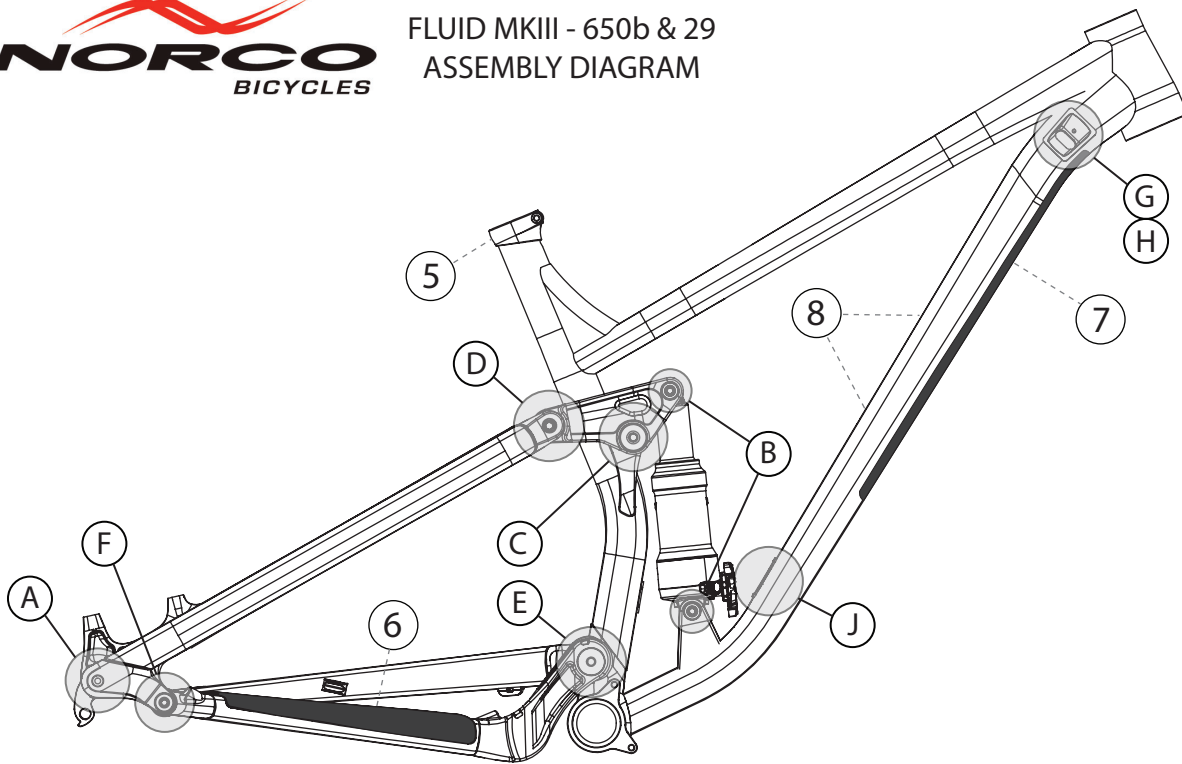
Headtube (HT)

- LHS
 - Item 9 top
 - Item 10 bottom (B-spec only)
- RHS
 - Item 9 top (for 4mm dropper housing)
 - Item 10 bottom (A-spec only)

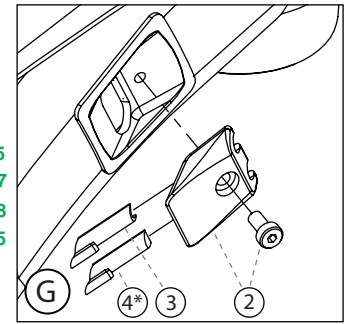
Downtube(DT)

- TOP
 - Item 9 left (for 4mm dropper housing)
 - Item 10 right
- BOTTOM
 - Item 9 right

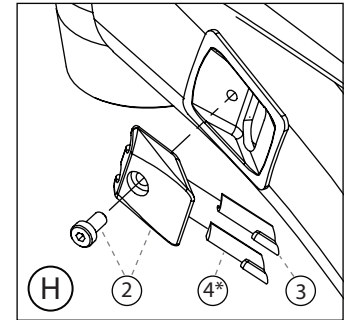
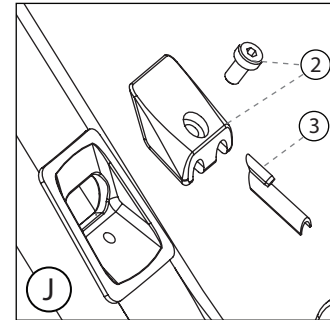




- #2) 914100-015
- #3) 914100-017
- #4) 914100-018
- (screw) 913400-005



*Select international models only



*All models except select international

