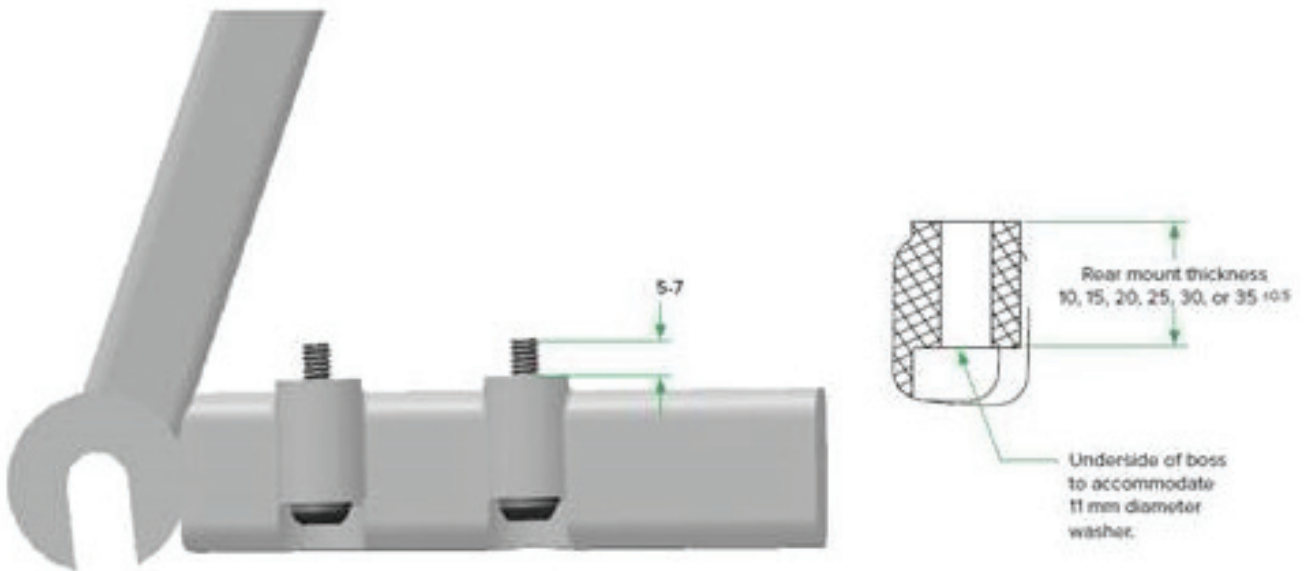


Technical Notice - 2019 Timemachine Road

If you are building a new Timemachine Road using SRAM components it's possible that the bolts supplied with the SRAM brakes may be too short to safely mount the brake calipers to the frame.

The brake mount on the fork is actually a "rear" mount with protruding screws, and with 30mm thickness, the fork brake mount is thicker than the rear mount (25mm).

With SRAM brakes, 37mm bolts are required in the rear, 42mm bolt for the front brake.



⚠ WARNING - CRASH HAZARD

There must be 5-7 mm of mounting bolt thread engagement when mounting brake calipers to forks and frames with flat mount hardware and brackets. Riding a bike with improper bolt engagement can allow the brakes to disengage from the bicycle, which can lead to a crash and serious injury or death to the rider.

1 Available in rear bolt lengths: 17, 22, 27, 32, 37, and 42 mm