

DEALERBOOK

20  
16

—

**FULL  
SUSPENSION**



# NINETY-SIX CARBON

CROSS COUNTRY/MARATHON

27.5"  
29"



NINETY-SIX TEAM



NINETY-SIX 9000-E



NINETY-SIX 7000



NINETY-SIX XT



NINETY-SIX 6000

SIZES

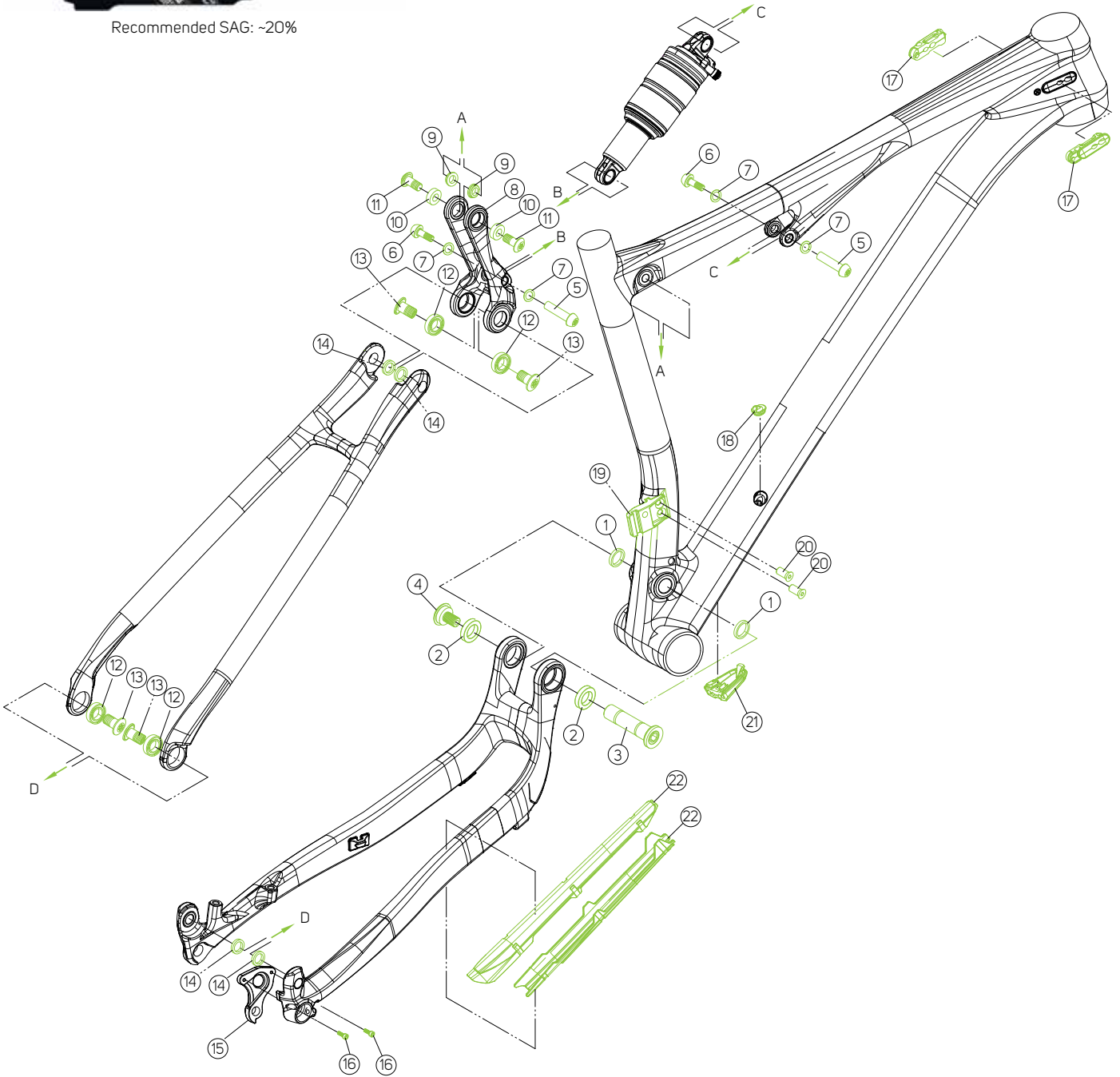
SHAFT EYELET

BODY EYELET

in.	mm	PIN width	PIN ID	PIN width	PIN ID
6.5 x 1.5"	165 x 38mm	22,2 mm	8 mm	19 mm	8 mm



Recommended SAG: ~20%



NO.	ITEM NO.	ITEM	DETAIL INFORMATION	PIECES	TORQUE NM
1	2294001180	WASHER		2	
2	2221001695	BEARING	1524F 24D*15D*5W	2	
3	2300010596	BOLT		1	
4	2300010604	SCREW		1	16-18
5	2300010488	BOLT		2	
6	2300010499	SCREW		2	10-12
7	2292002170	WASHER		4	
8	-	CARBON ROCKER		1	
9	2294004235	WASHER		2	
10	2221001297	BEARING	688V2RS 16D*8D*5W	2	
11	2300010507	SCREW		2	12-14

NO.	ITEM NO.	ITEM	DETAIL INFORMATION	PIECES	TORQUE NM
12	2221001736	BEARING	6800V2RS 19D*10D*5W	4	
13	2300010529	SCREW		4	
14	2294003427	WASHER		4	
15	2311004928	HANGER		1	
16	2300009458	SCREW		2	-3
17	see page 14	SMART ENTRY		2	
18	2143002687	CABLE PLUG		1	
19	2164001201	FD ADAPTER		1	
20	2300005852	SCREW		2	-7
21	2258003867	CABLE GUIDE		1	
22	2158003153	PROTECTOR		1	

# NINETY-SIX ALLOY

CROSS COUNTRY / MARATHON

27.5"  
29"



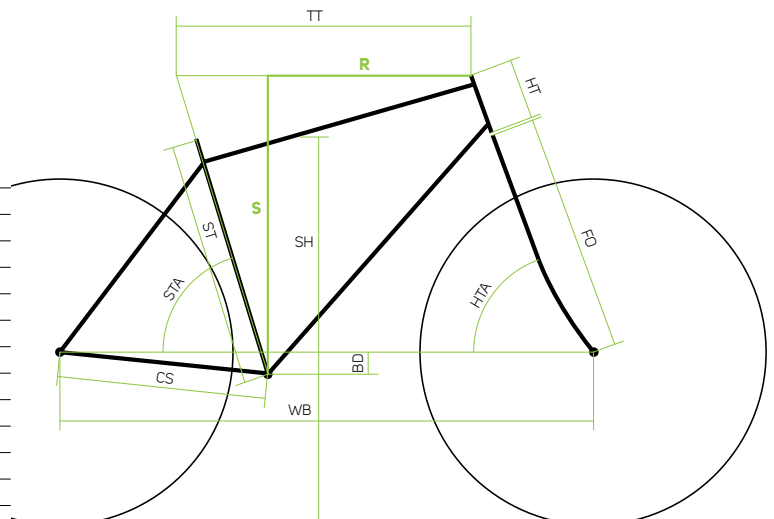
NINETY-SIX 800



NINETY-SIX 600

## NINETY-SIX CARBON / ALLOY [CF5 / CF4 / CFA / LITE]

	S [27.5"]	M [27.5"]	M [29"]	L [29"]	XL [29"]
<b>RH</b> frame sizes	S [27.5"]	M [27.5"]	M [29"]	L [29"]	XL [29"]
<b>ST</b> seat tube [mm]	420	460	460	510	560
<b>TT</b> top tube [mm]	560	585	590	615	640
<b>HT</b> head tube [mm]	100	115	100	115	130
<b>HTA</b> head tube angle [°]	69	69	70	70	70
<b>STA</b> seat tube angle [°]	75	75	74.5	74.5	74.5
<b>CS</b> chain stays [mm]	435	435	445	445	445
<b>BD</b> bottom bracketed drop [mm]	21	21	40	40	40
<b>FO</b> fork length [mm]	490	490	503	503	503
<b>SH</b> stand over height [mm]	750	752	768	773	776
<b>S</b> stack [mm]	556	570	589	603	617
<b>R</b> reach [mm]	411	431	429	449	468
<b>WB</b> wheel base [mm]	1098	1123	1126	1151	1176



SIZES

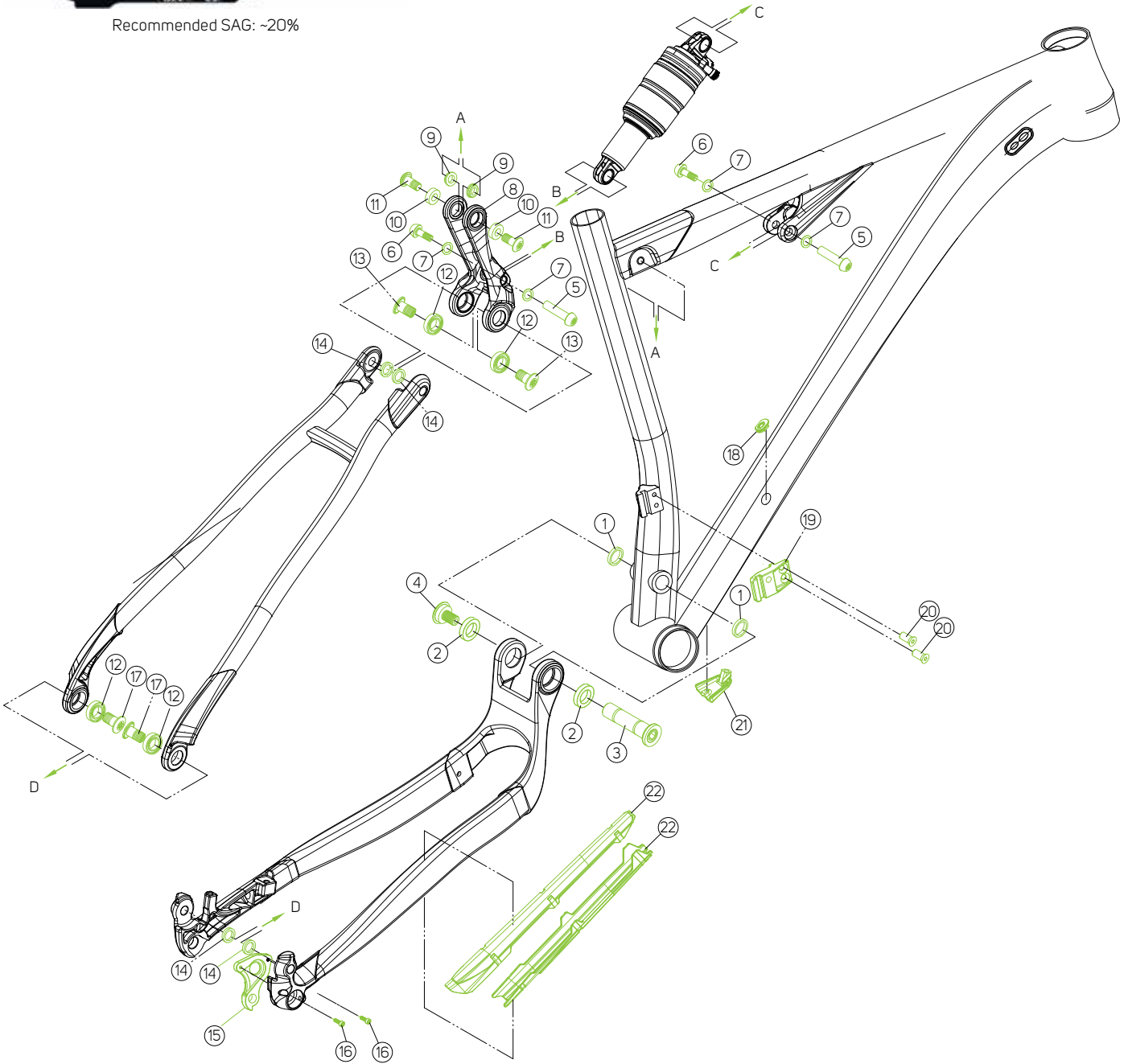
SHAFT EYELET

BODY EYELET

in.	mm	PIN width	PIN ID	PIN width	PIN ID
6.5 x 1.5"	165 x 38mm	22,2 mm	8 mm	19 mm	8 mm



Recommended SAG: ~20%



NO.	ITEM NO.	ITEM	DETAIL INFORMATION	PIECES	TORQUE NM	NO.	ITEM NO.	ITEM	DETAIL INFORMATION	PIECES	TORQUE NM
1	2294001180	WASHER		2		12	2221001736	BEARING	6800V2RS 19D*10D*5W	4	
2	2221001695	BEARING	1524F 24D*15D*5W	2		13	2300010529	BOLT		2	
3	2300010596	BOLT		1		14	2294003427	WASHER		4	
4	2300010604	SCREW		1	16-18	15	2311004928	HANGER		1	
5	2300010819	BOLT		2		16	2300009458	SCREW		2	-3
6	2300010820	SCREW		2	10-12	17	2300010789	BOLT		2	
7	2292002170	WASHER		4		18	2258003254	CABLE GUIDE		1	
8	-	ROCKER		1		19	2164001201	FD ADAPTE		1	
9	2294004235	WASHER		2		20	2300005852	SCREW		2	-7
10	2221001297	BEARING	688V2RS 16D*8D*5W	2		21	2258003124	CABLE GUIDE		1	
11	2300010507	SCREW		2	12-14	22	2158003153	PROTECTOR		1	

# ONE-TWENTY CARBON

27.5"  
29"

MARATHON / TOUR



ONE-TWENTY 8000



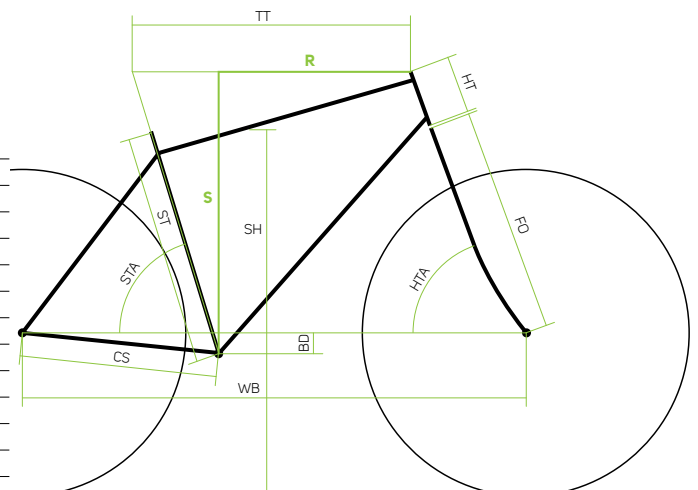
ONE-TWENTY 7000



ONE-TWENTY 5000

## ONE-TWENTY CFA

	S [27.5"]	M [27.5"]	L [27.5"]	M [29"]	L [29"]	XL [29"]
<b>RH</b> frame sizes	S [27.5"]	M [27.5"]	L [27.5"]	M [29"]	L [29"]	XL [29"]
<b>ST</b> seat tube [mm]	415	450	500	450	500	550
<b>TT</b> top tube [mm]	575	595	620	595	618	642
<b>HT</b> head tube [mm]	105	110	120	95	105	115
<b>HTA</b> head tube angle [°]	68	68	68	69	69	69
<b>STA</b> seat tube angle [°]	74.5	74.5	74.5	75	75	75
<b>CS</b> chain stays [mm]	440	440	440	445	445	445
<b>BD</b> bottom bracketed drop [mm]	25	25	25	40	40	40
<b>FO</b> fork length [mm]	519	519	519	538	538	538
<b>SH</b> stand over height [mm]	710	732	756	740	768	773
<b>S</b> stack [mm]	589	593	603	615	624	633
<b>R</b> reach [mm]	412	430	452	431	450	471
<b>WB</b> wheel base [mm]	1122	1142	1167	1144	1167	1191



MARATHON / TOUR

SIZES

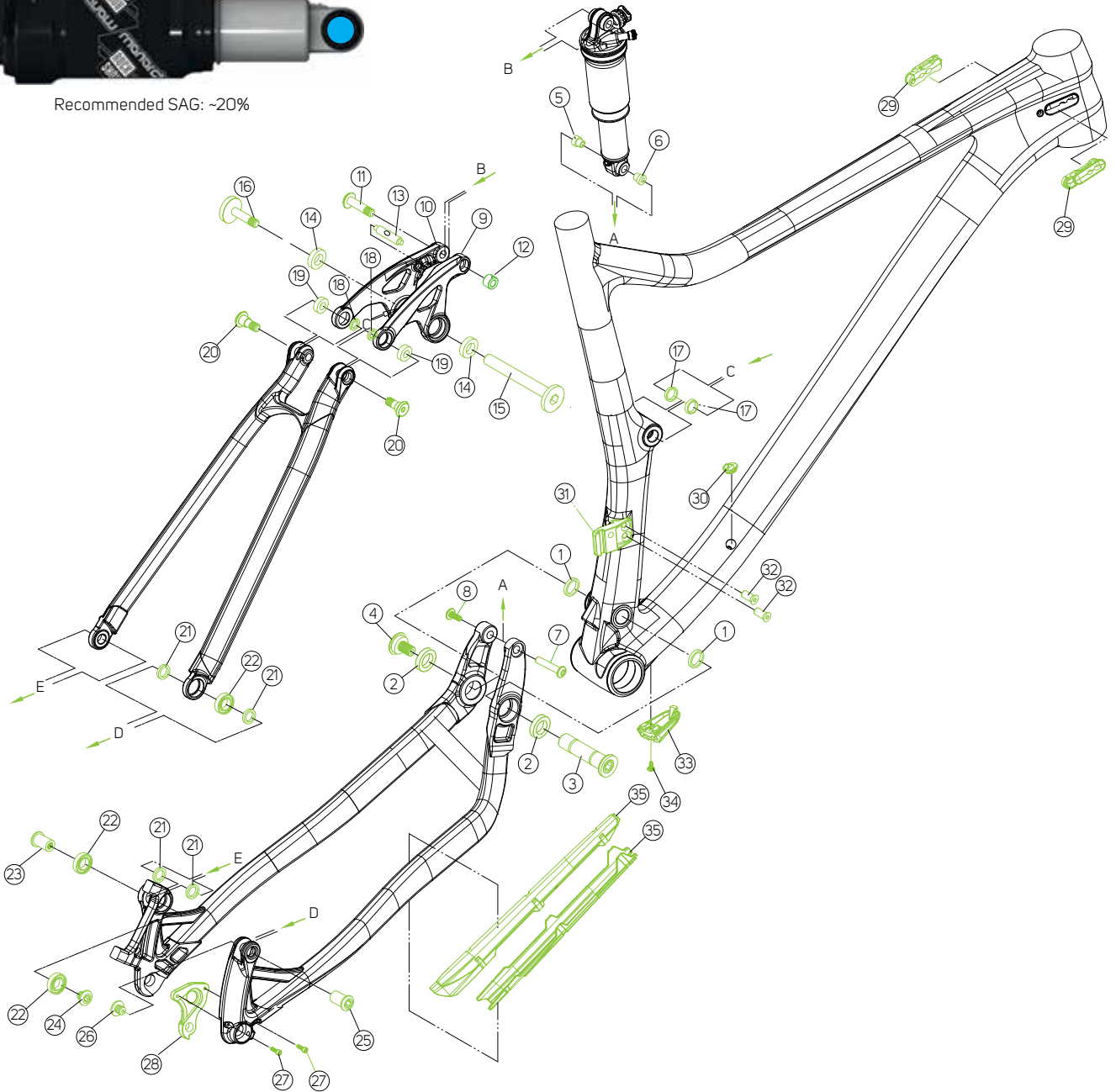
SHAFT EYELET

BODY EYELET

in.	mm	PIN width	PIN ID	PIN width	PIN ID
7.5 x 2"	190 x 51mm	22,2 mm	8 mm	custom	8 mm



Recommended SAG: ~20%



NO.	ITEM NO.	ITEM	DETAIL INFORMATION	PIECES	TORQUE NM
1	2294001180	WASHER		2	
2	2221001695	BEARING	1524F 24D*15D*5W	2	
3	2300009555	BOLT		1	
4	2300009566	SCREW		1	16-18
5	2294003160	WASHER		1	
6	2294003171	WASHER		1	10-12
7	2300009760	BOLT		1	
8	2300009771	SCREW		1	
9	2035001394	ROCKER		1	
10	2035001402	ROCKER		1	
11	2300003690	SCREW		1	12-14
12	2302001546	NUT		1	
13	2181000278	CABLE GUIDE		1	
14	2221001703	BEARING	6801V-2RS 21D*12D*5W	2	
15	2300009492	BOLT		1	
16	2300009481	SCREW		1	-3
17	2294002255	WASHER		2	
18	2294001544	WASHER		2	

NO.	ITEM NO.	ITEM	DETAIL INFORMATION	PIECES	TORQUE NM
19	2221001297	BEARING	688V2RS 16D*8D*5W	2	
20	2300010068	SCREW		2	-7
21	2294003427	WASHER		4	
22	2221001736	BEARING	6800V2RS 19D*10D*5W	3	
23	2300009533	BOLT		1	
24	2300009544	SCREW		1	
25	2300009511	BOLT		1	
26	2300009522	SCREW		1	
27	2300009458	SCREW		2	
28	2311004928	HANGER		1	
29	see page 14	SMART ENTRY		2	
30	2143002687	CABLE PLUG		1	
31	2164001201	FD ADAPTER		1	
32	2300005852	SCREW		2	
33	2258003867	CABLE GUIDE		1	
34	2300009890	BOLT		1	
35	2158003153	PROTECTOR		1	

# ONE-TWENTY ALLOY

MARATHON / TOUR

27.5"  
29"



ONE-TWENTY 900



ONE-TWENTY XT-EDITION



ONE-TWENTY 800



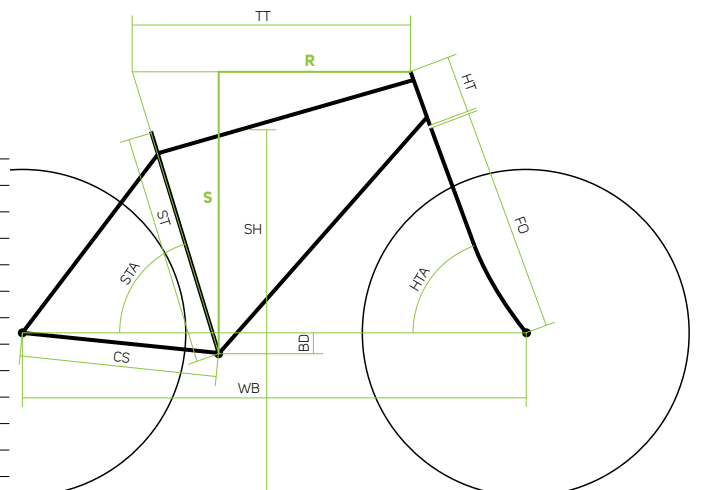
ONE-TWENTY 600



ONE-TWENTY 500

## ONE-TWENTY TFS

	S [27.5"]	M [27.5"]	L [27.5"]	M [29"]	L [29"]	XL [29"]
<b>RH</b> frame sizes	S [27.5"]	M [27.5"]	L [27.5"]	M [29"]	L [29"]	XL [29"]
<b>ST</b> seat tube [mm]	415	450	500	450	500	551
<b>TT</b> top tube [mm]	575	595	620	595	618	642
<b>HT</b> head tube [mm]	105	110	120	95	105	115
<b>HTA</b> head tube angle [°]	68	68	68	69	69	69
<b>STA</b> seat tube angle [°]	74.5	74.5	74.5	75	75	75
<b>CS</b> chain stays [mm]	440	440	440	445	445	445
<b>BD</b> bottom bracketed drop [mm]	25	25	25	40	40	40
<b>FO</b> fork length [mm]	519	519	519	538	538	538
<b>SH</b> stand over height [mm]	707	732	756	740	768	796
<b>S</b> stack [mm]	589	593	603	615	624	633
<b>R</b> reach [mm]	412	430	452	431	450	471
<b>WB</b> wheel base [mm]	1122	1142	1167	1144	1167	1191



MARATHON / TOUR



SIZES

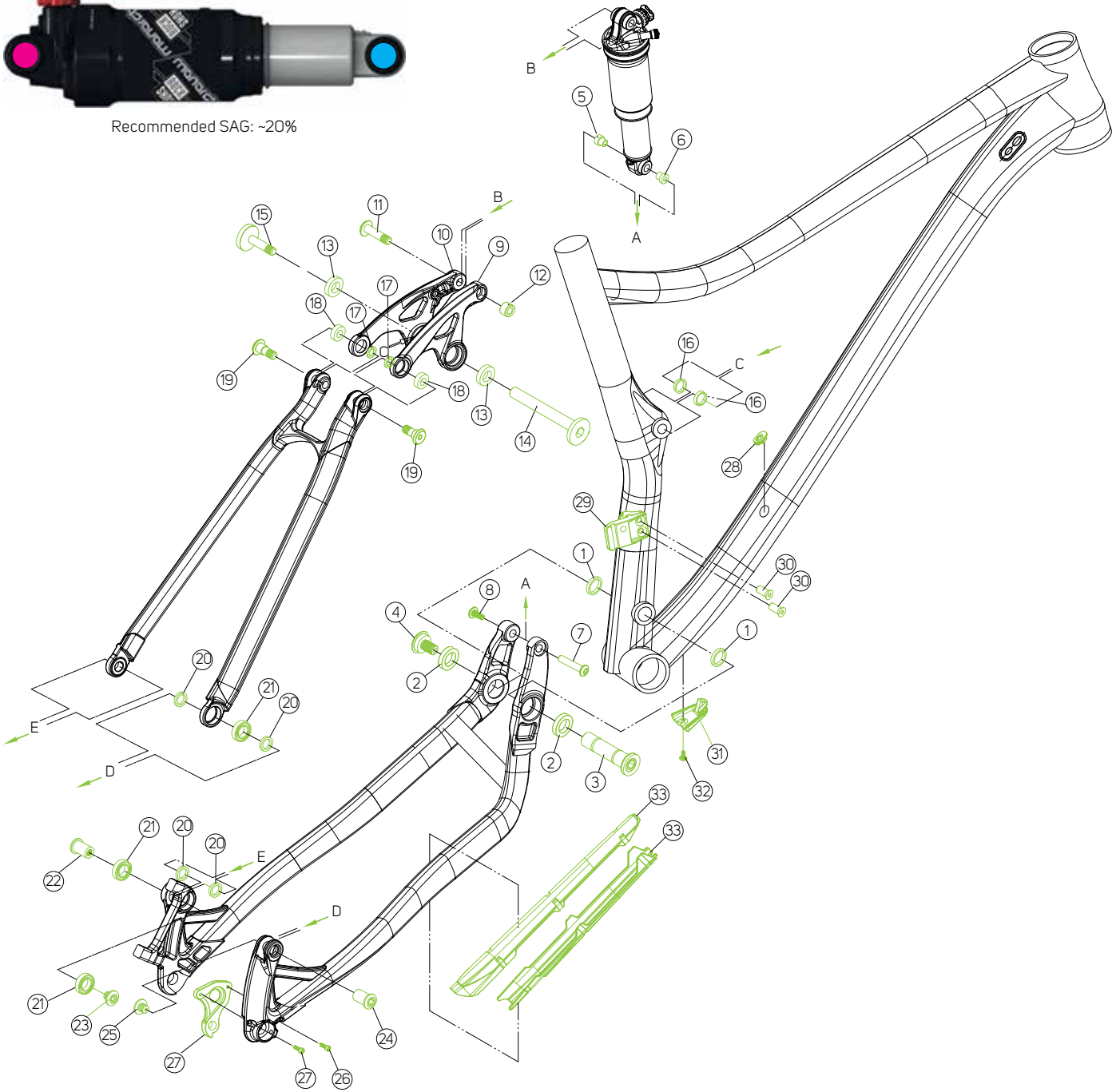
SHAFT EYELET

BODY EYELET

in.	mm	PIN width	PIN ID	PIN width	PIN ID
75 x 2"	190 x 51mm	22,2 mm	8 mm	custom	8 mm



Recommended SAG: ~20%



NO.	ITEM NO.	ITEM	DETAIL INFORMATION	PIECES	TORQUE NM
1	2294001180	WASHER		2	
2	2221001695	BEARING	1524F 24D*15D*5W	2	
3	2300009555	BOLT		1	
4	2300009566	SCREW		1	16-18
5	2294003160	WASHER		1	
6	2294003171	WASHER		1	
7	2300009760	BOLT		1	
8	2300009771	SCREW		1	10-12
9	2035001394	SLINK		1	
10	2035001402	SLINK		1	
11	2300003690	SCREW		1	12-14
12	2302001546	NUT		1	
13	2221001703	BEARING	6801V-2RS 21D*12D*5W	2	
14	2300009492	BOLT		1	
15	2300009481	SCREW		1	12-14
16	2294002255	WASHER		2	
17	2294001544	WASHER		2	

NO.	ITEM NO.	ITEM	DETAIL INFORMATION	PIECES	TORQUE NM
18	2221001297	BEARING	688V2RS 16D*8D*5W	2	
19	2300010068	SCREW		2	12-14
20	2294003427	WASHER		4	
21	2221001736	BEARING	6800V2RS 19D*10D*5W	3	
22	2300009533	BOLT		1	
23	2300009544	SCREW		1	12-14
24	2300009511	BOLT		1	
25	2300009522	SCREW		1	12-14
26	2300009458	SCREW		2	~3
27	2311004928	HANGER		1	
28	2258003254	CABLE GUIDE		1	
29	2164001201	FD ADAPTE		1	
30	2300005852	SCREW		2	~7
31	2258003124	CABLE GUIDE		1	
32	2300009890	BOLT		1	
33	2158003153	PROTECTOR		1	

# ONE-FORTY

ALL MOUNTAIN



ONE-FORTY 7.900



ONE-FORTY 7.700



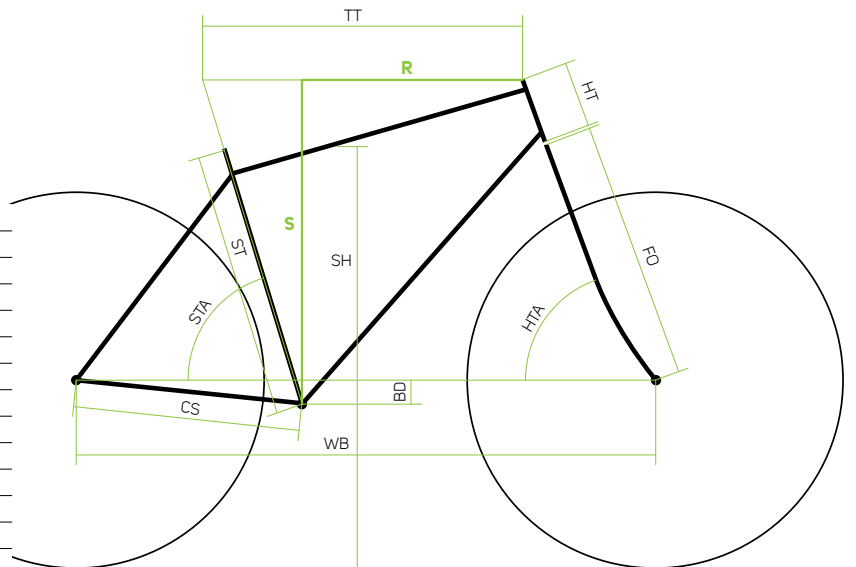
ONE-FORTY 7.600



ONE-FORTY 7.500

## ONE-FORTY

RH	frame sizes	S	M	L	XL
ST	seat tube [mm]	390	440	480	530
TT	top tube [mm]	560	595	625	650
HT	head tube [mm]	100	110	120	130
HTA	head tube angle [°]	67	67	67	67
STA	seat tube angle [°]	74	74	74	74
CS	chain stays [mm]	445	445	445	445
BD	bottom bracketed drop [mm]	18	18	18	18
FO	fork length [mm]	540	540	540	540
SH	stand over height [mm]	707	748	778	805
S	stack [mm]	592	601	610	620
R	reach [mm]	390	423	450	472
WB	wheel base [mm]	1121	1157	1188	1215



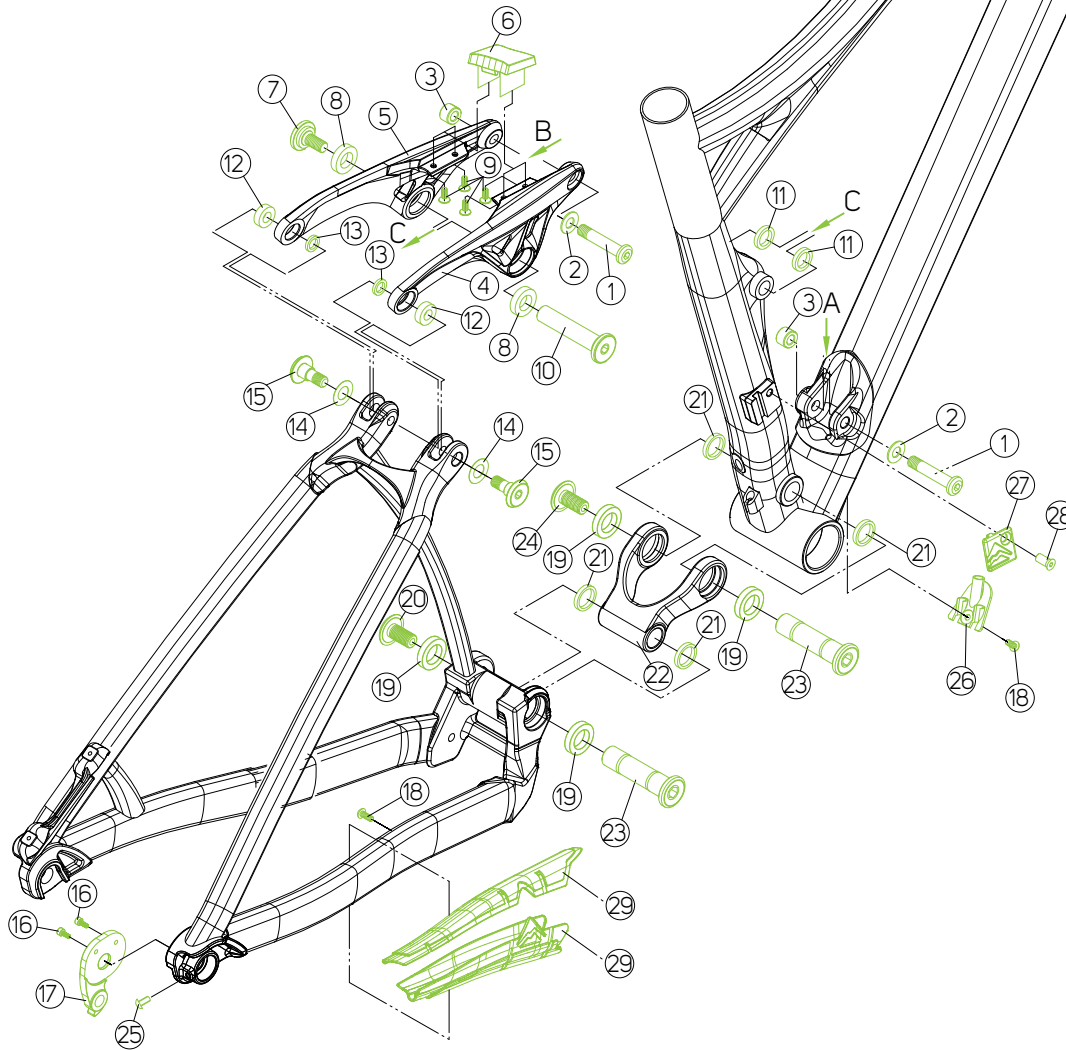
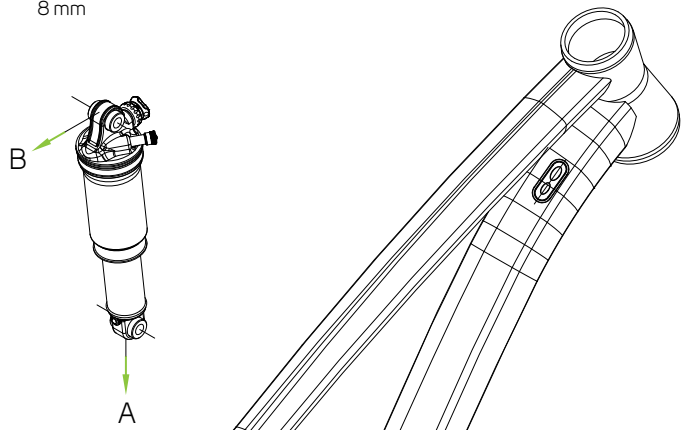
ALL MOUNTAIN

● SHAFT EYELET      ● BODY EYELET

in.	mm	PIN width	PIN ID	PIN width	PIN ID
7.5 x 2"	190 x 50mm	22,2 mm	8 mm	22,2 mm	8 mm



Recommended SAG: ~30%



NO.	ITEM NO.	ITEM	DETAIL INFORMATION	PIECES	TORQUE NM
1	2300003010	SCREW		2	10-12
2	2292001931	WASHER		2	
3	2302001104	NUT		2	
4	2035001167	ROCKER(R)		1	
5	2035001156	ROCKER(L)		1	
6	2035001178	ROCKER		1	
7	2300007605	SCREW		1	12-14
8	2221001703	BEARING	6801V-2RS 21D/12D/5W	2	
9	2300007973	SCREW		4	~4
10	2300007597	BOLT		1	
11	2294003137	WASHER		2	
12	2221001297	BEARING	688V2RS 16D*8D*5W	2	
13	2294001544	WASHER		2	
14	2292002040	WASHER		2	
15	2300007531	SCREW		2	12-14

NO.	ITEM NO.	ITEM	DETAIL INFORMATION	PIECES	TORQUE NM
16	2300000772	SCREW		2	~2
17	2311004939	HANGER		1	
18	2300009050	SCREW		2	~4
19	2221001695	BEARING	1524F 24D*15D*5W	4	
20	2300007553	SCREW		1	14-16
21	2294001180	WASHER		4	
22	2035001060	SLINK		1	
23	2300007564	BOLT		2	
24	2300007575	SCREW		1	14-16
25	2300005272	SCREW		1	~4
26	2258002015	CABLE GUIDE		1	
27	2136000905	COVER		1	
28	2300010273	SCREW		1	~5
29	2158002754	PROTECTOR		1	

# ONE-SIXTY

ENDURO



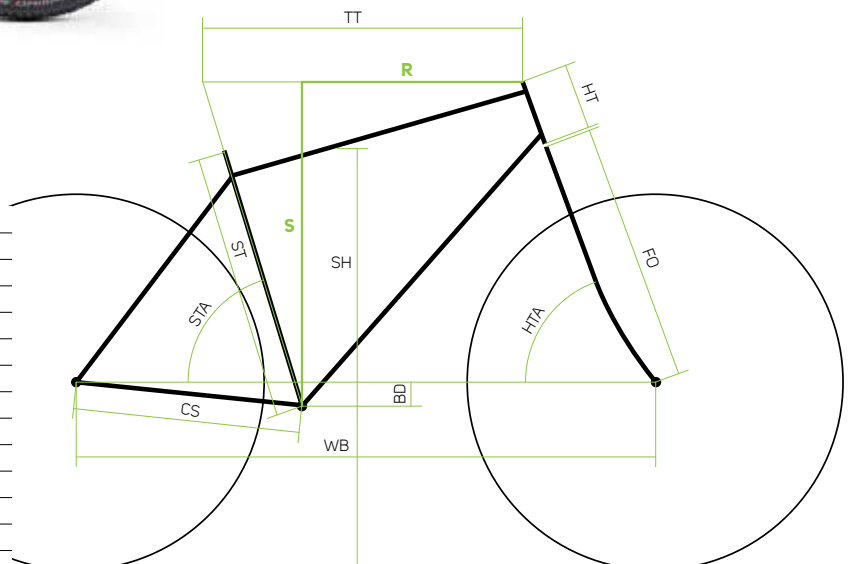
ONE-SIXTY 7.900



ONE-SIXTY 7.600

## ONE-SIXTY

RH	frame sizes	S	M	L	XL
ST	seat tube [mm]	380	432	482	530
TT	top tube [mm]	571	604	633	660
HT	head tube [mm]	110	120	135	145
HTA	head tube angle [°]	66	66	66	66
STA	seat tube angle [°]	74	74	74	74
CS	chain stays [mm]	440	440	440	440
BD	bottom bracket drop [mm]	7	7	7	7
FO	fork length [mm]	552	552	552	552
SH	stand over height [mm]	699	707	743	778
S	stack [mm]	597	606	620	629
R	reach [mm]	400	430	455	480
WB	wheel base [mm]	1143	1177	1208	1237



SIZES

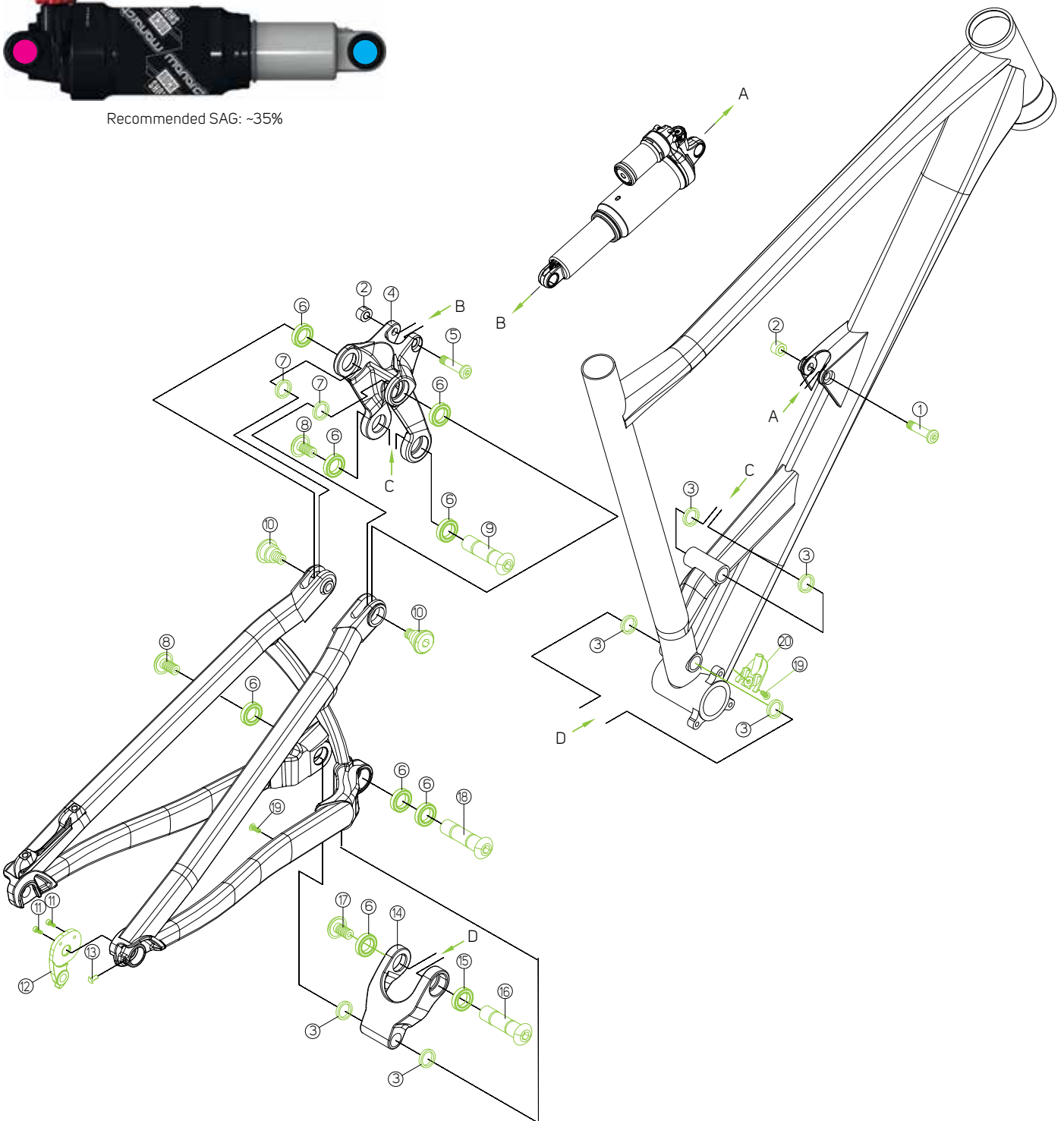
SHAFT EYELET

BODY EYELET

in.	mm	PIN width	PIN ID	PIN width	PIN ID
8.5 x 2.5"	215.5 x 63.5mm	22,2 mm	8 mm	22,2 mm	8 mm



Recommended SAG: -35%



NO.	ITEM NO.	ITEM	DETAIL INFORMATION	PIECES	TORQUE NM	NO.	ITEM NO.	ITEM	DETAIL INFORMATION	PIECES	TORQUE NM
1	2300006381	BOLT		1	12-14	11	2300000772	SCREW		2	~3
2	2302001104	NUT		2		12	2311003400	HANGER		1	
3	2294001180	WASHER		6		13	2300005272	SCREW		1	~4
4		ROCKER		1		14		ROCKER		1	
5	2300001892	BOLT		1	12-14	15	2221001446	BEARING	3802V-2RD 24D*15D*7W	1	
6	2221001015	BEARING	1524F 24D*15D*5W	8		16	2300006916	BOLT		1	
7	2294002664	WASHER		2		17	2300006938	SCREW		1	16-18
8	2300006983	SCREW		2	16-18	18	2300006972	BOLT		1	
9	2300006927	BOLT		1	16-18	19	2300009050	SCREW		2	~4
10	2300008112	SCREW		2	12-14	20	2258002015	CABLE GUIDE		1	

# SMART ENTRIES

MERIDA BIKES

Internal cable routing perfected: While conventional solutions often have the drawback that cables can move inside the frame, our SMART ENTRY system actually clamps them under tension. This also makes sure that you won't be distracted by rattling noises when the trail gets rough. And because the cable inlets are completely changeable, all kinds of possible set ups are possible: Di2, hydraulic hoses, mechanical housings... First available in 2016 in the model lines ONE-TWENTY and NINETY-SIX.



**SE-0**

ITEM NO.	ITEM
2258003908	Blind plug, aluminum black anodized



**SE5 1-0-0**

ITEM NO.	ITEM
2258003919	1 x 5mm hydraulic cable, plastic



**SE 1-2-0**

ITEM NO.	ITEM
2258003920	1 x 5mm hydraulic cable, 2 x 2.5mm Di2 cable, aluminum black anodized



**SE 1-1-0**

ITEM NO.	ITEM
2258003856	1 x 5mm hydraulic cable, 1 x 4mm mechanical cable, plastic

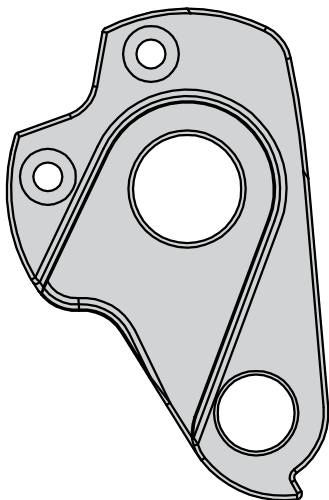


**SE41-0-0**

ITEM NO.	ITEM
2258003997	1 x 4mm mechanical cable, plastic

# DROPOUTS

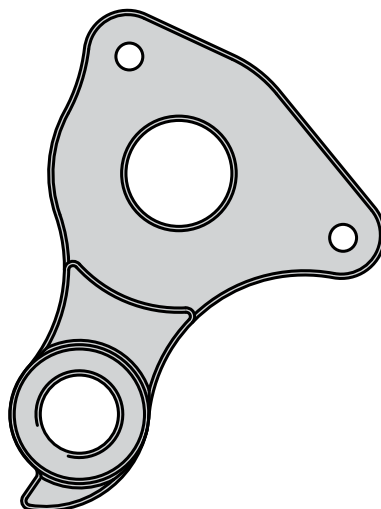
MERIDA BIKES



## DH-046

### YEAR 2016

CYCLO CROSS 9000 / 6000 / 5000  
SPEEDER 5000 / 3000



## DH-038A

### YEAR 2016

NINETY-SIX TEAM / 9000-E / 7000 / XT / 6000  
NINETY-SIX 800 / 600  
ONE-TWENTY 8000 / 7000 / 5000  
ONE-TWENTY 900 / 800 / XT-EDITION / 600 / 500  
BIG.SEVEN TEAM ISSUE / 900 / 800

## DH-038C

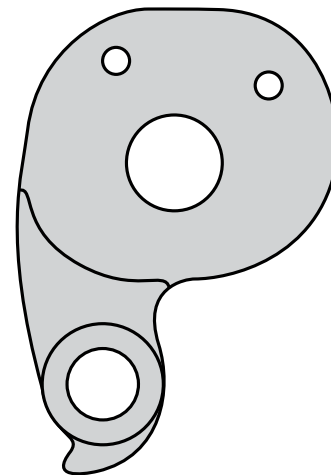
### YEAR 2015

BIG.SEVEN 900 / 800  
ONE-TWENTY 7.XT-EDITION / 600 / 600 JULIET  
ONE-TWENTY 7.500 / 900 / 800 / XT-DE

## DH-038

### YEAR 2014

BIG.SEVEN TEAM ISSUE / 1500 / 1000



## DH-024 2311003400

### YEAR 2016

BIG.NINE TEAM / 9000 / 7000 / XT / 6000 / 1000  
BIG.NINE 900 / TEAM ISSUE / 800  
BIG.SEVEN TEAM / 9000 / 7000 / XT / 6000 / 1000  
BIG.SEVEN 900 / TEAM ISSUE / 800  
ONE-FORTY 7.900 / 700 / 600 / 500  
ONE-SIXTY 7.900 / 600

### YEAR 2015

NINETY-NINE 9.800 / 600 / XT  
NINETY-NINE 9.6000 / 7000 / TEAM / XT-DE  
ONE-SIXTY 7.600 / 700 / 900  
ONE-EIGHTY 6.900 / 500  
ONE-FORTY 7.900 / 700 / 600 / 500  
BIG.NINE TEAM / 6000 / 9000 / 1000 / XT  
BIG.NINE 900 / 800 / LITE XT-DE  
BIG.SEVEN TEAM / 6000 / 7000 / 9000  
BIG.SEVEN 1000 / XT

### YEAR 2014

FREDDY 1 / 3 / 5  
ONE-SIXTY 1 / 2 / 5  
ONE FORTY 1-B / 2-B / 3-B / 5-B  
BIG NINETY-NINE TEAM / 3000 / XO / XT  
BIG NINETY-NINE 1500 / 1000 / 900  
BIG.NINE CF TEAM / 5000 / 3000 / XO-EDITION  
BIG.NINE CF XT-EDITION / 1000  
BIG.NINE 1500 / TEAM ISSUE / 1000  
BIG.SEVEN CF TEAM / 3000 / XO-EDITION / XT ED.

### YEAR 2013

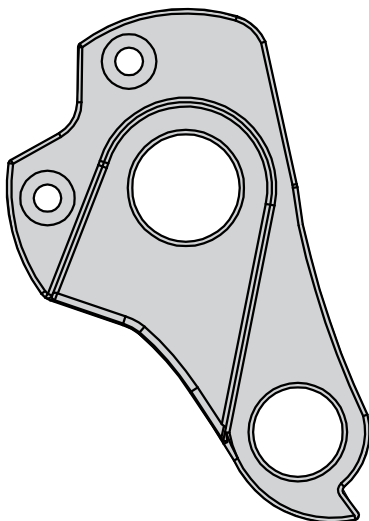
FREDDY TEAM / 1  
ONE-SIXTY 3000 / 1800 / 1000  
ONE FORTY 3000 / XT-EDITION / 1500 / 900  
BIG NINETY-NINE 3000 / XO / XT / XT-M / 1000  
BIG NINE CARBON TEAM / 3000 / XO-EDT / XT-M  
BIG NINE LITE TEAM ISSUE / 1500

### YEAR 2012

ONE FORTY CARBON 3000 DISC  
BIG NINE CARBON TEAM / 3000 / 2000  
BIG NINE LITE TEAM / 3000 / 2000

### YEAR 2011

ONE FORTY CARBON 3000 DISC  
ONE FORTY CARBON 2000 DISC



## DH-047

### YEAR 2016

CROSSWAY URBAN 7000

## DH-013C 2311002346

### YEAR 2016

BIG.NINE E-LITE 900 / 600  
 BIG.SEVEN eLITE 900 / 600 / 300  
 BIG.NINE 100 / 300 / 500 / 600 / XT-EDITION  
 BIG.SEVEN 100 / 300 / 500 / 600 / XT-EDITION  
 BIG.SEVEN TEAM ISSUE  
 CROSSWAY 100 / 300 / 500 / 600 / 900 / XT-EDITION  
 CROSSWAY LADY 100 / 300 / 500 / XT-EDITION  
 CROSSWAY URBAN 100 / 300 / 500 / XT-EDITION  
 CROSSWAY URBAN LADY 100 / 500 / XT-EDITION  
 eSPRESSO 600 / 600 EQ / 900 / 900 EQ  
 JULIET 7. 100 / 300 / 500 / XT-EDITION  
 MATTS 6. 100 / 500

### YEAR 2015

BIG.NINE E-LITE 600 / 900  
 BIG.SEVEN 100 / 300 / 500 / 600 / 600 JULIET  
 BIG.SEVEN XT-EDITION / XT-EDITION JULIET  
 BIG.SEVEN TEAM ISSUE  
 MATTS 6. 500 / 100  
 CROSSWAY 900/-LADY / XT-EDITION/-LADY  
 CROSSWAY 600/-LADY / 500/-LADY  
 CROSSWAY 300/-LADY / 100/-LADY  
 MATTS J24 TEAM  
 BIG.NINE XT-EDITION / TEAM ISSUE  
 BIG.NINE 600 / 500 / 300 / 100

### YEAR 2014

BIG.SEVEN XT-EDITION / 900 / 500 / 300 / 100  
 ONE-TWENTY 3000 / XT-EDT / 1000 / 900 / 500  
 CROSSWAY 3000 / XT-EDITION / 900 / 500  
 CROSSWAY 300 / 100  
 DAKAR TEAM

O.NINE CF XT-EDITION / 1000  
 BIG NINE CF XT-EDITION / XO-EDITION / 1000  
 BIG NINE XT-EDITION / 900 / 500 / 300 / 100  
 MATTS XT-EDITION / 900 / 500 / 300 / 100  
 S-PRESSO 300 / 100

### YEAR 2013

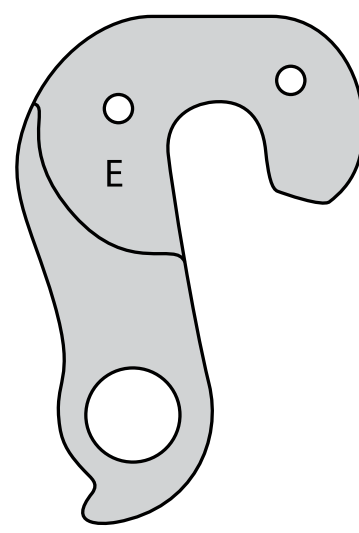
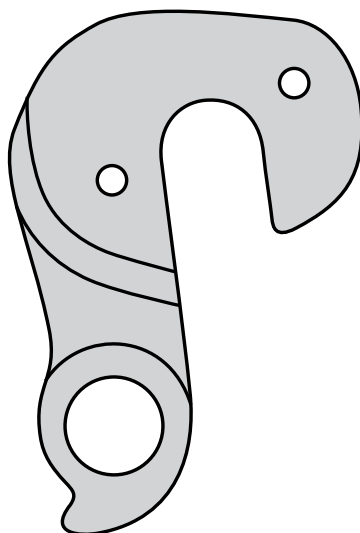
ONE-TWENTY CARBON XT-M  
 ONE-TWENTY XT-EDITION / XT-M / 3000  
 ONE-TWENTY 1000 / 900 / 500  
 NINETY-NINE CARBON TEAM / 3000  
 CROSSWAY XT-EDT / 900 / 500 / 300 / 100 / 40  
 DAKAR CHAMPION / TEAM  
 O.NINE SUPERLITE TEAM / 3000  
 O.NINE PRO XT-EDITION / 1200 / 1000  
 BIG NINE TFS XT-EDITION / 900 / 500 / 300 / 100  
 MATTS LITE XO-EDITION / TEAM ISSUE / XT-M  
 MATTS TFS XT-EDITION / 1000 / 900 / 800 / 600  
 S-PRESSO GT / 300 / 100

### YEAR 2012

ONE-FORTY XT-EDITION / 900  
 ONE-TWENTY XT-EDT / 3000 / 1200 / 900 / 500  
 NINETY-NINE CARBON TEAM / 3000  
 CROSSWAY LITE 3000  
 CROSSWAY XT-EDITION / 900 / 500 / 300 / 100  
 DAKAR CHAMPION / TEAM  
 NINETY-SIX CARBON XT-EDITION / 1200  
 O.NINE SUPERLITE TEAM  
 O.NINE PRO XT-EDITION / 1200 / 1000  
 BIG NINE TFS XT-EDITION / 900 / 500 / 300 / 100  
 MATTS LITE XT-EDITION / CHAMPION / 2000 / 1200  
 MATTS TFS XT-EDITION / 1000 / 900 / 800 / 100V  
 S-PRESSO 900 / 300 / 100  
 UMF HARDY 4X TEAM / 4X

### YEAR 2011

ONE-FORTY 3000 / 1500 / 800  
 ONE-TWENTY CARBON 5000 / 400 / 3000  
 ONE-TWENTY 3000 / 2000 / 1500  
 ONE-TWENTY 1200 / JULIET 1000 / 800 / 500  
 NINETY-SIX CARBON TEAM / 3000 / 2000  
 NINETY-SIX HFS 3000 / 1200  
 O.NINE TEAM / 5000 / 3000 / 2000  
 CARBON FLX 1500 / 1200 / 800



## DH-013 E 2311003422

### YEAR 2015

JULIET 7. 500 / 300 / 100 / XT-EDITION

### YEAR 2014

JULIET XT-EDITION-B / 900-B / 500-B  
 JULIET 300-B / 100-B  
 CROSSWAY 40-D / 40-MD / 40-V

### YEAR 2013

MATTS TFS 500 / 300 / 100  
 JULIET XT-EDITION / 1000 / 900 / 500 / 300 / 100  
 JULIET 500 / 300 / 100  
 NINETY-NINE XT / XO-EDITION / TEAM ISSUE / 900

### YEAR 2012

MATTS TFS 500 / 300 / 100D  
 JULIET XT-EDITION / 1000 / 900  
 JULIET 500 / 300 / 100  
 MATTS TRIAL 900 / 500 / 300 / 100  
 NINETY-NINE XT-EDITION / 2000 / 900  
 CROSSWAY 40

### YEAR 2011

MATTS SCANDIUM 5000 / 3000 / 2000  
 MATTS TFS 300 / 200 / 100  
 MATTS TRAIL 800 / 300 / 100  
 MATTS 60D / 40D-N2 / 40D / 20MD-N2 / 20MD  
 JULIET SCANDIUM / TFS / 40D-N2 / 20D-N2  
 CROSSWAY 40D-N2 / 20MD-N2 / 20MD  
 JULIET SCANDIUM / TFS / 40D-N2 / 20D-N2  
 CROSSWAY 40D-N2 / 20MD-N2 / 20MD

MATTS LITE 3000 / 2000 / 1500 / 1200 / 1000

TWENTY-NINE LITE 1800 / 1000

MATTS TFS 900 / 800 / 500

JULIET LITE 1200 / 1000

DAKAR TEAM / CHAMPION

CROSSWAY LITE / TFS

S-PRESSO 18 / 900 / 800 / 300 / 100

UMF HARDY 4X TEAM / 4X

### YEAR 2010

TRANS-MISSION ALUMINIUM

ONE-TWENTY HFS

ONE-TWENTY TFS

NINETY-SIX CARBON

NINETY-SIX HFS

O.NINE

CARBON FLX

MATTS HFS

JULIET MARATHON

DAKAR TEAM / CHAMPION

CROSSWAY HFS / CROSSWAY TFS

S-PRESSO

UMF HARDY

### YEAR 2009

NINETY-SIX CARBON

NINETY-SIX HFS

TRANS MISSION TFS

MISSION HFS UND TFS

CARBON FLX

MATTS HFS XC PRO / HFS XC / HFS TRAIL

MATTS TFS XC 900-800-700-600 / TFS TRAIL

DAKAR TEAM / CHAMPION

CROSSWAY HFS

CROSSWAY TFS SPORT / TFS COMFORT

S-PRESSO

UMF FREDDY / UMF HARDY

### YEAR 2008

ALL MOUNTAIN

ONE-FIVE-O

MISSION C / MISSION CARBON / CARBON FLX

MATTS FLX / HFS / TFS TRAIL / TFS EDITION

MATTS TFS 900 / TFS 800 / TFS 700

DAKAR TEAM / CHAMPION

S-PRESSO

UMF HARDY

### YEAR 2007

CARBON FLX

ALL MOUNTAIN

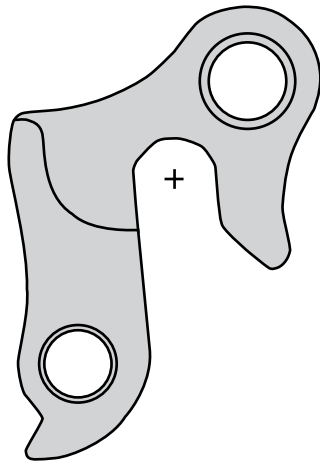
DAKAR TEAM / CHAMPION

MISSION / MISSION CARBON / MISSION JULIET

MATTS FLX / HFS

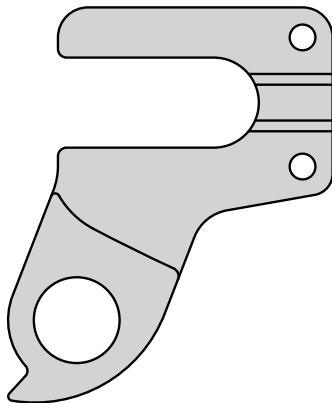
UMF HARDY





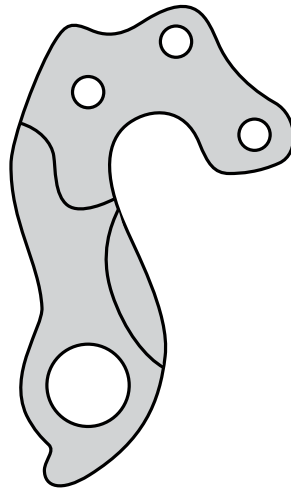
**DH-10 (A-HG009)**

<b>YEAR 2016</b>
CROSSWAY 15-MD / 15-V / 10-V
CROSSWAY LADY 15-MD / 15-V / 10-V
MATTS 6. 40-D / 20-D / 20-MD / 20-V / 15-MD / 10-V
<b>YEAR 2015</b>
BIG.SEVEN 70 / 40
BIG.NINE 70 / 40
JULIET 7. 40-D / 6. 40-D
MATTS 6. 40-D
CROSSWAY 40-D/-LADY / 40-MD/-LADY
CROSSWAY 40-V/-LADY / 20-D/-LADY
CROSSWAY 20-MD/-LADY / 20-V/-LADY
CROSSWAY 15-MD/-LADY / 15-V/-LADY
CROSSWAY 10-V/-LADY



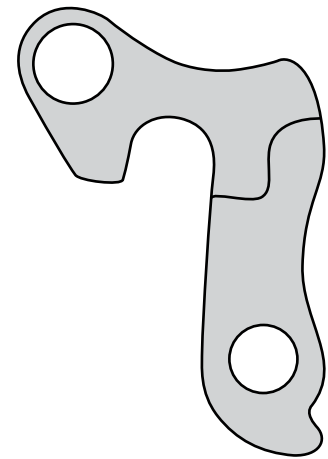
**E02-0024-0**

<b>YEAR 2016</b>
WARP TT TEAM-E
<b>YEAR 2014</b>
WARP CF TEAM-E / CF7-E



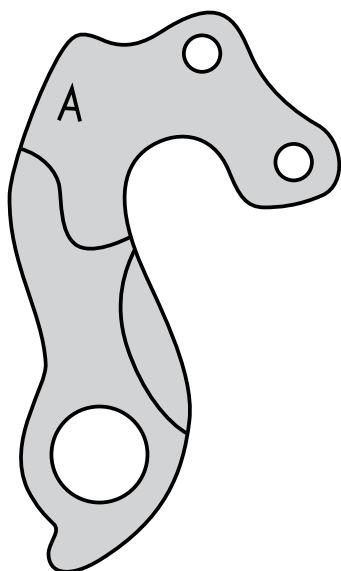
**E02-0013-0** 2311003734

<b>YEAR 2016</b>
REACTO TEAM-E DI2 / DA LTD / 7000-E-DI2
REACTO 6000 / 5000 / 4000
RIDE TEAM-E-DI2 / 4000 / 3000
RIDE DISC 7000 / 5000 / 3000
SCULTURA TEAM / 9000 / 7000-E / 6000
SCULTURA 5000 / 4000 / 4000 JULIET
WARP TRI 7000-E / 5000 / 3000
<b>YEAR 2015</b>
SCULTURA 9000 / 7000 / 6000 / 5000
SCULTURA 4000 / 4000 JULIET
RIDE TEAM / 7000 / 5000 / 4000 / 3000
RIDE DISC 3000 / 7000 / 5000
REACTO TEAM-E / DA LTD / 7000 / 5000 / 4000
WARP TRI 7000-E / 5000 / 3000
SPEEDER 3000 / 5000
<b>YEAR 2014</b>
SCULTURA CF TEAM-E / 907 / 906-C
SCULTURA CF 905 / 904 / 904 JULIET
RIDE CF TEAM / 97-CE / 97 / 95-E / 95
RIDE CF JULIET 95 / 94 / 93
REACTO CF TEAM / 907-E / 906-S / 905
<b>YEAR 2013</b>
SCULTURA SL 909 / TEAM
SCULTURA PRO 907-E / 907
SCULTURA COMP 906 / 905-E / 905 / 904
SCULTURA COMP JULIET 904 / 903
RIDE CARBON 95-30 / 95
RIDE CARBON 94-30 / 94 / 93-30 / 93
REACTO 909-E / 907-E / 907 / 904
<b>YEAR 2012</b>
SCULTURA EVO DA / 906 / 905 / 904
SCULTURA EVO JULIET
REACTO TEAM / 909 / 907 / 904
<b>YEAR 2011</b>
SCULTURA EVO 906 / 905 / 904
SCULTURA JULIET
REACTO TEAM / 909 / 907
<b>YEAR 2010</b>
SCULTURA EVO / SCULTURA / SCULTURA JULIET



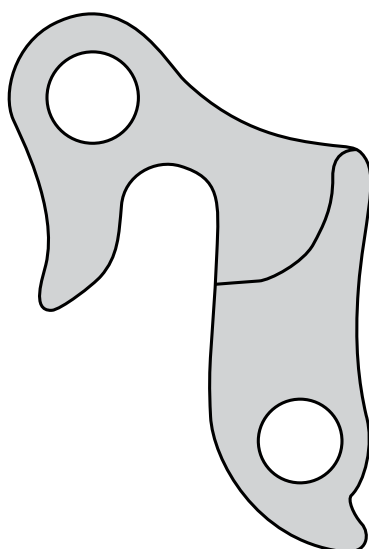
**A-HG-011** 2311002614

<b>YEAR 2016</b>
BIG.SEVEN 70 / 40-D / 40-MD / 20-D / 20-MD
BIG.NINE 70 / 40-D / 40-MD / 20-D / 20-MD
CROSSWAY 40-D/-LADY / 20-D/-LADY / 20-MD/-LADY
JULIET 7. 40-D / 40-MD / 20-D
JULIET 6. 40-D / 40-V / 20-D / 20-MD / 20-V / 10-V
<b>YEAR 2010</b>
JULIET TFS
MATTS TFS XC / MATTS TFS TRAIL / MATTS
<b>YEAR 2009</b>
JULIET TFS / JULIET
MATTS TFS 500-300-100 / MATTS
<b>YEAR 2008</b>
CROSSWAY HFS / TFS / JULIET / MATTS SUB
MATTS TFS 500-300-100
<b>YEAR 2007</b>
CROSSWAY / URBAN
MATTS TFS / MATTS SUB / JULIET



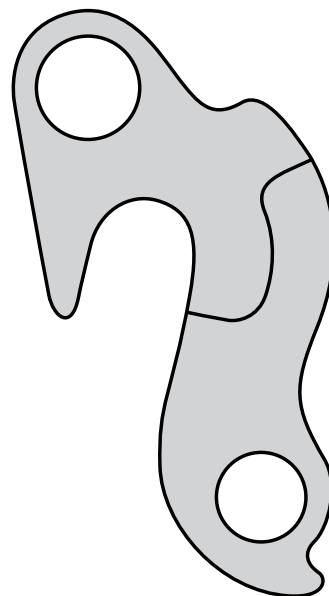
**8317-0000P 2-L** 2311002283

<b>YEAR 2016</b>
CYCLO CROSS 700 / 500 / 300 / 100
REACTO 500 / 400 / 300
RIDE 100 / 200 / 300 / 400 / 500
RIDE 100 JULIET / 300 JULIET / 400 JULIET
RIDE DISC 200 / 300 / 500
SCULTURA 100 / 200 / 300 / 400 / 500
SPEEDER 500 / 300 / 300-JULIET / 100
<b>YEAR 2015</b>
SCULTURA 500 / 400 / 300 / 200 / 100
RIDE 500 / 400 / 400 JULIET / 300 / 300 JULIET
RIDE 300-30 / 300-30 JULIET / 300 -NO / 200
RIDE 100 / 100-JULIET / 100-24 / 100-24 JULIET
CYCLO CROSS 700 / 500 / 300
SPEEDER 500 / 300 / 300-D / 300 JULIET
SPEEDER 200 / 200-D
SPEEDER 100 / 100-MD / 100 JULIET
REACTO 500 / 400 / 300
<b>YEAR 2014</b>
RIDE 94 / JULIET 94 / 93-30 / 93 / 91
RIDE JULIET 91 / RIDE 90 / 88-24 / 88
SPEEDER T5 / T3-D / T3 / T2-D / T2 / T1-MD / T1
SCULTURA 905 / 904 / 903 / 901 / 900
<b>YEAR 2013</b>
RIDE LITE 95-30 / 95 / 94-30 / 94 / JULIET 94-30
RIDE LITE JULIET 94 / 93-30 / 93 / 91-27 / 91
RIDE LITE JULIET 91-27 / JULIET 91 / 90-24 / 90
RIDE 88-24 / 88-16
RACE LITE 905 / 904 / 903 / 901 / 900
SPEEDER I8 / T5 / T3-D / T3 / T2-D / T2 / T1
<b>YEAR 2012</b>
SPEEDER T5 / T3 / T2 / T1
RACE LITE 905 / 904 / 903 / 901 / 880
RIDE LITE 95 / 94 / 93 / 91 / JULIET
RIDE 88 / 85 / 77 / 75 / JULIET
<b>YEAR 2011</b>
RACE LITE 905 / 904 / 903 / 901 / 880
RIDE LITE 95 / LITE 94 / 93 / 91 / 88 / JULIET
SPEEDER T5 / T3 / T2 / T1
<b>YEAR 2010</b>
ROAD RACE / ROAD RIDE / ROAD JULIET / SPEEDER
<b>YEAR 2009</b>
SCHULTURA EVO / SCULTURA
ROAD RACE / ROAD RIDE / ROAD JULIET / SPEEDER
<b>YEAR 2008</b>
ROAD RACE / ROAD RIDE
SCULTURA EVO / SCULTURA FLX / SPEEDER
<b>YEAR 2007</b>
ROAD FLX / ROAD LITE / ROAD
SCULTURA / CYCLOCROSS / SPEEDER



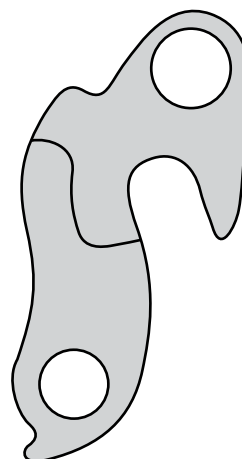
**A-HG-009** 2311003518

<b>YEAR 2014</b>
BIG.SEVEN 70 / 40 / 40-MD / 20-D / 20-MD
BIG.NINE 70 / 40 / 40-MD / 20-D / 20-MD
MATTS 70 / 40-D / 40-V / 40-MD
MATTS 20-D / 20-V / 20-MD / 15 / 10
JULIET 40-D / 40-MD / 40-V
JULIET 20 -D / 20-V / 20-MD / 15 / 10
CROSSWAY 20-D / 20-MD / 20-V / 15 / 10
DAKAR 624 / 624 RACE / 620 / 620 RACE
DAKAR 624-SUS
<b>YEAR 2013</b>
MATTS 70 -D / 40-D / 40-V / 40-MD
MATTS 20-V / 20-MD / 15 / 10
JULIET 40-D / 40-MD / 20-V / 20-MD / 15-V / 10-V
CROSSWAY 20-MD / 20-V / 15-V / 10-V
DAKAR 624 / 620
NINETY-SIX 624-SUS
<b>YEAR 2012</b>
CROSSWAY 20MD / 20V / 15V / 10V
MATTS 70D / 40D / 40V / 20V / 15V / 10V
MATTS WULF 60V
JULIET 40D / 20MD / 20V / 15V / 10V
<b>YEAR 2011</b>
CROSSWAY 40V-N2 / 20V-N2 / 10V-N2 / 5V-N2
CROSSWAY 20V / 15V / 10V
MATTS 40V-N2 / 20V-N2 / 10V-N2 / 5V-N2
MATTS 20V / 15V / 10V
JULIET 40V-N2 / 20V-N2 / 10V-N2 / 5V-N2
JULIET 20V / 15V / 10V
<b>YEAR 2010</b>
CROSSWAY TFS 600 V
<b>YEAR 2009</b>
CROSSWAY 40 / 20 / 10 / 5
<b>YEAR 2007</b>
KALAHARI / FREEWAY
<b>YEAR 2006</b>
KALAHARI
<b>YEAR 2005</b>
FIREBALL



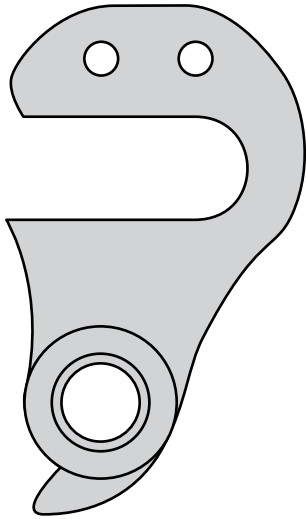
**B1137** 2311001107

<b>YEAR 2014</b>
CYCLO CROSS 5 / 4 / 3
<b>YEAR 2013</b>
CYCLO CROSS 5-D / 5-V / 4 / 3
<b>YEAR 2012</b>
CYCLO CROSS 5 / 4 / 3
<b>YEAR 2011</b>
CYCLO CROSS CARBON / CYCLO CROSS
<b>YEAR 2010 / 2009 / 2008</b>
CYCLO CROSS
<b>YEAR 2006</b>
CROSSWAY LRS
<b>YEAR 2005</b>
ROAD
CROSSWAY LRS / FREEWAY LRS / CITY LRS
<b>YEAR 2004</b>
MISSION / T-MISSION / ROAD
CROSSWAY LRS / FREEWAY LRS / CITY LRS
<b>YEAR 2003</b>
XC MISSION / LRS / ROAD
<b>YEAR 2002 / 2001</b>
EXTREME



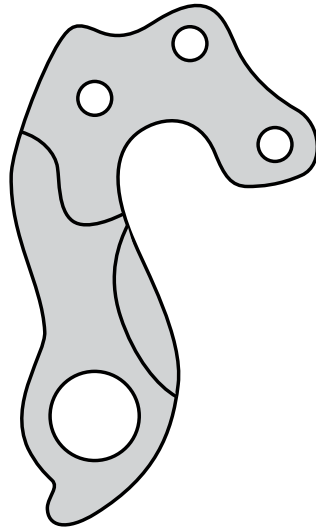
**DH-025** 2311003585

<b>YEAR 2014</b>
HARDY 4 / 5 / 6
<b>YEAR 2013</b>
HARDY 4 / 5 / 6
<b>YEAR 2012</b>
UMF HARDY 4 / 5 / 6
<b>YEAR 2011</b>
UMF HARDY 4 / 5 / 6



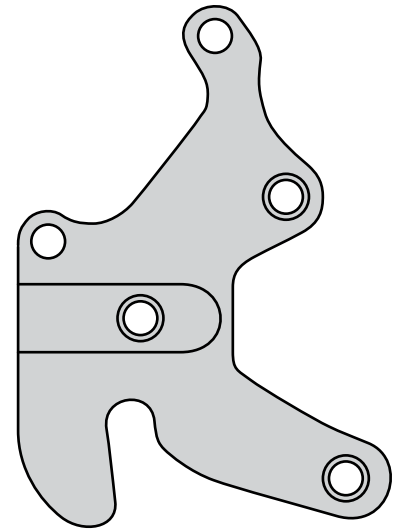
**DH-019** 2311003273

<b>YEAR 2013</b>
TIME WARP TEAM-E / 5 WARP 5
<b>YEAR 2012</b>
TIME WARP TEAM / 4 WARP 4
<b>YEAR 2011</b>
TIME WARP TEAM / 8 / 4 WARP 4
<b>YEAR 2010</b>
TIME WARP / WARP HFS



**RE-50** 2311003927

<b>YEAR 2013</b>
CYCLO CROSS CARBON TEAM / TEAM ISSUE SPEEDER CARBON T5
<b>YEAR 2012</b>
CYCLO CROSS CARBON TEAM / 907 / 7 SPEEDER CARBON T5

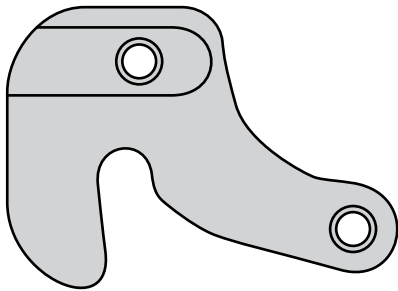


**DH-020 L RED** 2311003466

<b>YEAR 2011</b>
UMF FREDDY TEAM / FREDDY 1

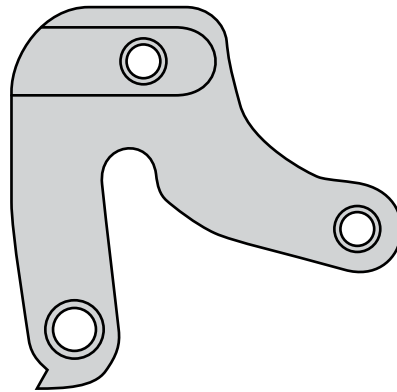
**DH-020 L BLACK** 2311003109

<b>YEAR 2012</b>
UMF FREDDY 2 / UMF SLOPE UMF HARDY DJ
<b>YEAR 2011</b>
UMF FREDDY 2 UMF HARDY DJ TEAM / DJ 1 / DJ 2 / DJ 2-24"
<b>YEAR 2010</b>
UMF FREDDY TEAM / FREDDY 1 / FREDDY 2 UMF HARDY DJ TEAM / HARDY 2D 24 SINGLE



**DH-021 R** 2311003121

<b>YEAR 2012</b>
UMF HARDY DJ TEAM / DJ 2 / DJ 1
<b>YEAR 2011</b>
UMF HARDY DJ TEAM / DJ 1 / DJ 2 / DJ 2-24"
<b>YEAR 2010</b>
UMF HARDY DJ TEAM / HARDY 2D 24 SINGLE

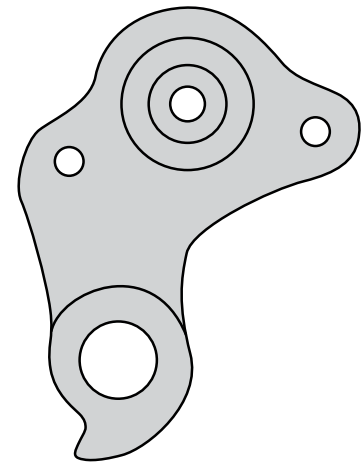


**DH-020 R RED** 2311003455

<b>YEAR 2011</b>
UMF FREDDY TEAM / FREDDY 1

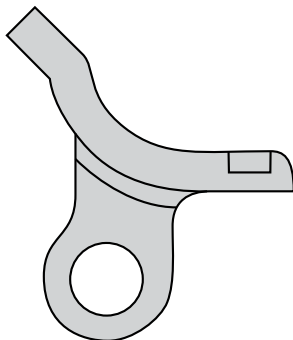
**DH-020 R BLACK** 2311003091

<b>YEAR 2012</b>
UMF FREDDY 2 UMF SLOPE
<b>YEAR 2011</b>
UMF FREDDY 2
<b>YEAR 2010</b>
UMF FREDDY TEAM / FREDDY 1 / FREDDY 2



**DH-018 A GOLD** 2311003303

<b>YEAR 2011</b>
ONE-FIVE-O 3000 DISC / 1000 DISC
<b>YEAR 2010</b>
TRANS-MISSION CARBON 4000 DISC ONE-FIVE-O 800 DISC



**ADK-HG** 2311002852

<b>YEAR 2011</b>
UMF DUNCAN TEAM / COMP
<b>YEAR 2010</b>
UMF DUNCAN
<b>YEAR 2009</b>
UMF DUNCAN

FRAME	ONE-SIXTY	ONE-FORTY	ONE-TWENTY CFA	ONE-TWENTY TFS	NINETY-SIX CF5	NINETY-SIX CF4	NINETY-SIX CFA	NINETY-SIX LITE
<b>WHEELSIZE</b>	27,5"	27,5"	27,5" / 29"	27,5" / 29"	27,5" / 29"	27,5" / 29"	27,5" / 29"	27,5" / 29"
<b>HEAD TUBE</b>								
tapered 1-1/8 - 1.5	X	X	X	X	X	X	X	X
tapered 1 - 1-1/8								
tapered 1-1/8 - 1-1/4								
1-1/8								
<b>HEADSET</b>								
integrated								
semi-integrated	X	X	X	X	X	X	X	X
others (bearing cups outside)								
<b>BRAKE STANDARD</b>								
disc brake on chain stay					X	X	X	X
disc brake on seat stay	X	X	X	X	X	X	X	X
Post Mount 160mm rear brake	X	X			X	X	X	X
Post Mount 180mm rear brake			X	X	X	X	X	X
Post Mount 160mm front brake								
Post Mount 180mm front brake								
IS mount								
Flatmount 140mm								
Rimbrake Direktmount								
Rimbrake standard								
Rimbrake V-brake								
<b>BB-STANDARD</b>								
BSA	X	X	X	X				X
BB30								
BB 86								
BB386								
BB 92					X	X	X	
others								
<b>SEATPOST DIAMETER</b>								
27.2 mm								
31.6 MM	X	X	X	X	X	X	X	X
others								
<b>REAR DROPOUT-STANDARD</b>								
Quick Release 9mm								
E-THRU AXLE 12X142	X	X	X	X	X	X	X	X
others								
<b>CABLE ROUTING</b>								
internal shifting cables	X	X	X	X	X	X	X	X
internal brake cable					X	X	X	X
internal shock cable			X	X	X	X	X	X
internal seat post cable	X	X	X	X	X	X	X	X
<b>DI2-READY</b>					X	X	X	X
<b>EQUIPMENT OPTIONS</b>								
Hebie 40mm								
Pfletscher 18mm								
carrier mount frame								
carrier mount fork								
fender mount frame								
fender mount fork								
<b>FD-STANDARD</b>								
brazed on								
standard clamp								
high clamp								
low clamp								
high direct mount	X	X	X	X	X	X	X	X
top pull								
down pull								
dual pull	X	X						
side swing			X	X	X	X	X	X
<b>FRAMEWEIGHT</b>		3,12 kg						
<b>FORKWEIGHT</b>								

FRAME	BIG.NINE CF5	BIG.NINE CF2	BIG.SEVEN CF5 / CF 2	BIG.SEVEN LITE	BIG.NINE LITE	BIG.SEVEN / NINE TFS	BIG.SEVEN / NINE SPEED
<b>WHEELSIZE</b>	29"	29"	27,5"	27,5"	29"	27,5" / 29"	27,5" / 29"
<b>HEAD TUBE</b>							
tapered 1-1/8 - 1.5	X	X	X	X	X	X	
tapered 1 - 1-1/8							
tapered 1-1/8 - 1-1/4							
1-1/8							X
<b>HEADSET</b>							
integrated							
semi-integrated	X	X	X	X	X	X	X
others (bearing cups outside)							
<b>BRAKE STANDARD</b>							
disc brake on chain stay				X		X	X
disc brake on seat stay	X	X	X		X		
Post Mount 160mm rear brake	X	X	X	X	X	X	X
Post Mount 180mm rear brake							
Post Mount 160mm front brake							
Post Mount 180mm front brake							
IS mount							
Flatmount 140mm							
Rimbrake Direktmount							
Rimbrake standard							
Rimbrake V-brake							X
<b>BB-STANDARD</b>							
BSA		X		X	X	X	X
BB30	X		X				
BB 86							
BB386							
BB 92							
others							
<b>SEATPOST DIAMETER</b>							
27.2 mm	X	X	X	X	X	X	X
31.6 MM							
others							
<b>REAR DROPOUT-STANDARD</b>							
Quick Release 9mm						X	X
E-THRU AXLE 12X142	X	X	X	X	X		
others							
<b>CABLE ROUTING</b>							
internal shifting cables	X	X	X	X			
internal brake cable				X			
internal shock cable							
internal seat post cable							
<b>DI2-READY</b>							
<b>EQUIPMENT OPTIONS</b>							
Hebie 40mm							X
Pfletscher 18mm							
carrier mount frame						X	X
carrier mount fork							
fender mount frame						X	X
fender mount fork							
<b>FD-STANDARD</b>							
brazed on							
standard clamp							
high clamp							
low clamp						X	X
high direct mount	X	X	X	X	X		
top pull							
down pull							
dual pull	X	X	X	X	X	X	X
side swing							
<b>FRAMEWEIGHT</b>	1,1 kg	1,35 kg	1,1kg / 1,35 kg	1,75 kg	1,80 kg	1,80 kg	1,95 kg
<b>FORKWEIGHT</b>							

FRAME	JULIET TFS	JULIET SPEED	MATTS TFS	MATTS SPEED	MATTS JR
<b>WHEELSIZE</b>	27,5"	26" / 27,5"	26"	26"	12", 16", 20", 24"
<b>HEAD TUBE</b>					
tapered 1-1/8 - 1.5					
tapered 1 - 1-1/8					
tapered 1-1/8 - 1-1/4					
1-1/8	X	X	X	X	
<b>HEADSET</b>					
integrated					
semi-integrated	X	X	X		
others (bearing cups outside)				X	X
<b>BRAKE STANDARD</b>					
disc brake on chain stay			X		
disc brake on seat stay	X	X		X	X
Post Mount 160mm rear brake	X	X	X	X	X
Post Mount 180mm rear brake					
Post Mount 160mm front brake					
Post Mount 180mm front brake					
IS mount					
Flatmount 140mm					
Rimbrake Direktmount					
Rimbrake standard					
Rimbrake V-brake		(X)		X	X
<b>BB-STANDARD</b>					
BSA	X	X	X	X	X
BB30					
BB 86					
BB386					
BB 92					
others					X
<b>SEATPOST DIAMETER</b>					
27.2 mm	X	X		X	X
31.6 MM			X		
others					X
<b>REAR DROPOUT-STANDARD</b>					
Quick Release 9mm	X	X	X	X	X
E-THRU AXLE 12X142					
others					X
<b>CABLE ROUTING</b>					
internal shifting cables					
internal brake cable					
internal shock cable					
internal seat post cable					
<b>DI2-READY</b>					
<b>EQUIPMENT OPTIONS</b>					
Hebie 40mm	X	X	X	X	
Pfletscher 18mm					
carrier mount frame	X	X	X	X	
carrier mount fork					
fender mount frame	X	X	X	X	
fender mount fork					
<b>FD-STANDARD</b>					
brazed on					
standard clamp					
high clamp		(X)			X
low clamp	X	X	X	X	
high direct mount					
top pull					
down pull					
dual pull	X	X	X	X	X
side swing					
<b>FRAMEWEIGHT</b>	1,65 kg	1,55 kg	1,80 kg	1,90 kg	1,00 - 2,90 kg
<b>FORKWEIGHT</b>					

FRAME	SCULTURA CF5/CF4	SCULTURA CF2	SCULTURA LITE	REACTO CF5	REACTO CF2	REACTO LITE
<b>WHEELSIZE</b>	28"	28"	28"	28"	28"	28"
<b>HEAD TUBE</b>						
tapered 1-1/8 - 1.5		X	X	X	X	X
tapered 1 - 1-1/8						
tapered 1-1/8 - 1-1/4	X					
1-1/8						
<b>HEADSET</b>						
integrated	X			X	X	
semi-integrated						X
others (bearing cups outside)						
<b>BRAKE STANDARD</b>						
disc brake on chain stay						
disc brake on seat stay						
Post Mount 160mm rear brake						
Post Mount 180mm rear brake						
Post Mount 160mm front brake						
Post Mount 180mm front brake						
IS mount						
Flatmount 140mm						
Rimbrake Direktmount	X			X	X	
Rimbrake standard	X	X	X			X
Rimbrake V-brake						
<b>BB-STANDARD</b>						
BSA		X	X			X
BB30						
BB 86						
BB386	X			X	X	
BB 92						
others						
<b>SEATPOST DIAMETER</b>						
27.2 mm	X	X	X			
31.6 MM						
others				X	X	X
<b>REAR DROPOUT-STANDARD</b>						
Quick Release 9mm	X	X	X	X	X	X
E-THRU AXLE 12X142						
others						
<b>CABLE ROUTING</b>						
internal shifting cables	X	X	X	X	X	X
internal brake cable	X	X	X	X	X	X
internal shock cable						
internal seat post cable						
<b>DI2-READY</b>	X	X				
<b>EQUIPMENT OPTIONS</b>						
Hebie 40mm						
Pfletscher 18mm						
carrier mount frame						
carrier mount fork						
fender mount frame						
fender mount fork						
<b>FD-STANDARD</b>						
brazed on	X			X	X	X
standard clamp		X	X			
high clamp						
low clamp						
high direct mount						
top pull	X	X	X	X	X	X
down pull						
dual pull						
side swing						
<b>FRAMEWEIGHT</b>	0,72 kg / 0,82kg 290g / 310g	1,10 kg	1,48 kg	0,95 kg	1,10 kg	1,8 kg
<b>FORKWEIGHT</b>	0,39 kg (300mm)			0,45 kg	0,45 kg	

FRAME	RIDE CF5/CF3	RIDE CF2	RIDE LITE	RIDE DISC	RIDE LITE DISC	WARP TT	WARP TRI	SPEEDER CF3	SPEEDER LITE
<b>WHEELSIZE</b>	28"	28"	28"	28"	28"	28"	28"	28"	28"
<b>HEAD TUBE</b>									
tapered 1-1/8 - 1.5	X	X	X	X				X	X
tapered 1 - 1-1/8						X			
tapered 1-1/8 - 1-1/4									
1-1/8							X		X
<b>HEADSET</b>									
integrated						X	X		
semi-integrated	X	X	X	X	X			X	X
others (bearing cups outside)									
<b>BRAKE STANDARD</b>									
disc brake on chain stay				X	X			X	
disc brake on seat stay									X
Post Mount 160mm rear brake					X			X	X
Post Mount 180mm rear brake									
Post Mount 160mm front brake				X	X			X	
Post Mount 180mm front brake									
IS mount									
Flatmount 140mm									
Rimbrake Direktmount						X	X		
Rimbrake standard	X	X	X						
Rimbrake V-brake									X
<b>BB-STANDARD</b>									
BSA		X	X		X				X
BB30									
BB 86				X		X	X	X	
BB386	X								
BB 92									
others									
<b>SEATPOST DIAMETER</b>									
27.2 mm	X	X	X	X	X			X	X
31.6 MM									
others						X	X		
<b>REAR DROPOUT-STANDARD</b>									
Quick Release 9mm	X	X	X	X	X		X		X
E-THRU AXLE 12X142								X	
others						X			
<b>CABLE ROUTING</b>									
internal shifting cables				X	X	X	X	X	X
internal brake cable				X	X	X	X	X	X
internal shock cable									
internal seat post cable									
<b>DI2-READY</b>	X	X		X					
<b>EQUIPMENT OPTIONS</b>									
Hebie 40mm									
Pfletscher 18mm									
carrier mount frame									X
carrier mount fork									X
fender mount frame	X			X	X			X	X
fender mount fork	X			X	X			X	X
<b>FD-STANDARD</b>									
brazed on	X			X		X	X	X	
standard clamp		X	X		X				X
high clamp									
low clamp									
high direct mount									
top pull	X	X	X	X	X	X	X		X
down pull								X	
dual pull									
side swing									
<b>FRAMEWEIGHT</b>	0,95 kg	1,10 kg	1,53 kg			1,37 kg			1,61 kg
<b>FORKWEIGHT</b>	0,43 kg	0,48 kg	0,48 kg			0,44 kg			



FRAME	CC CF3	CC LITE	CROSSWAY TFS	CROSSWAY SPEED	CROSSWAY	CROSSWAY URBAN CF3	CROSSWAY URBAN TFS
<b>WHEELSIZE</b>	28"	28"	28"	28"	28"	28"	28"
<b>HEAD TUBE</b>							
tapered 1-1/8 - 1.5	X	X				X	
tapered 1 - 1-1/8							
tapered 1-1/8 - 1-1/4							
1-1/8			X	X	X		X
<b>HEADSET</b>							
integrated							
semi-integrated	X	X	X			X	X
others (bearing cups outside)				X	X		
<b>BRAKE STANDARD</b>							
disc brake on chain stay	X	X	X			X	X
disc brake on seat stay				X	X		
Post Mount 160mm rear brake	X	X				X	
Post Mount 180mm rear brake							
Post Mount 160mm front brake	X	X				X	
Post Mount 180mm front brake							
IS mount			X	X	X		X
Flatmount 140mm							
Rimbrake Direktmount							
Rimbrake standard							
Rimbrake V-brake				X	X		
<b>BB-STANDARD</b>							
BSA		X	X	X	X		X
BB30							
BB 86	X					X	
BB386							
BB 92							
others							
<b>SEATPOST DIAMETER</b>							
27.2 mm	X	X	X	X	X	X	X
31.6 MM							
others							
<b>REAR DROPOUT-STANDARD</b>							
Quick Release 9mm			X	X	X		X
E-THRU AXLE 12X142	X	X				X	
others							
<b>CABLE ROUTING</b>							
internal shifting cables	X	X				X	
internal brake cable	X	X				X	
internal shock cable							
internal seat post cable							
<b>DI2-READY</b>							
<b>EQUIPMENT OPTIONS</b>							
Hebie 40mm			X	X	X		X
Pfletscher 18mm							
carrier mount frame		X	X	X	X		X
carrier mount fork							
fender mount frame	X	X	X	X	X	X	X
fender mount fork	X	X				X	
<b>FD-STANDARD</b>							
brazed on	X	X				X	
standard clamp							
high clamp							
low clamp			X	X	X		X
high direct mount							
top pull							
down pull	X	X				X	
dual pull			X	X	X		X
side swing							
<b>FRAMEWEIGHT</b>			1,75 kg	1,85 kg	2,00 kg		1,75 kg
<b>FORKWEIGHT</b>							

FRAME	eSPRESSO SPORT	eSPRESSO TOUR	eSPRESSO CITY	BIG.SEVEN eLITE	E-SPRESSO SPORT	E-SPRESSO TOUR	E-SPRESSO CITY	BIG.NINE E-LITE
<b>WHEELSIZE</b>	28"	28"	28"	27,5"	28"	28"	28"	29"
<b>HEAD TUBE</b>								
Tapered 1-1/8 - 1.5								
Tapered 1 - 1-1/8								
Tapered 1-1/8 - 1-1/4								
1-1/8	X	X	X	X	X	X	X	X
<b>HEADSET</b>								
Integrated								
Semi-integrated		X	X	X	X	X	X	X
others (bearing cups outside)								
<b>BRAKE STANDARD</b>								
Disc brake on chain stay	X	X	X	X	X	X	X	X
disc brake on seat stay								
Post Mount 160mm rear brake	X	X	X	X	X	X	X	X
Post Mount 180mm rear brake								
Post Mount 160mm front brake								
Post Mount 180mm front brake								
IS mount	X	X	X	X	X	X	X	X
Flatmount 140mm								
Rimbrake Direktmount								
Rimbrake standard								
Rimbrake V-brake								
<b>BB-STANDARD</b>								
BSA								
BB30								
BB 86								
BB386								
BB 92								
Others								
<b>SEATPOST DIAMETER</b>								
27.2 mm				X				X
31.6 MM	X	X	X		X	X	X	
others								
<b>REAR DROPOUT-STANDARD</b>								
Quick Release 9mm	X	X	X	X	X	X	X	X
E-THRU AXLE 12X142								
Others								
<b>CABLE ROUTING</b>								
Internal shifting cables	X	X	X	X	X	X	X	X
internal brake cable	X	X	X	X	X	X	X	X
internal shock cable								
Internal seat post cable								
<b>DI2-READY</b>								
<b>EQUIPMENT OPTIONS</b>								
Hebie 40mm	X	X	X	X	X	X	X	X
Pfletscher 18mm	X	X	X		X	X	X	
carrier mount frame	X	X	X		X	X	X	
carrier mount fork								
Fender mount frame	X	X	X		X	X	X	
fender mount fork	X	X	X		X	X	X	
<b>FD-STANDARD</b>								
Brazed on								
Standard clamp								
High clamp								
Low clamp								
High direct mount								
Top pull								
Down pull								
Dual pull								
side swing								
<b>FRAMEWEIGHT</b>								
<b>FORKWEIGHT</b>								

M.O.R.E.<sup>®</sup> **SUCCESS**





MERIDA.com

SUBJECT TO CHANGE. ERRORS EXCEPTED.