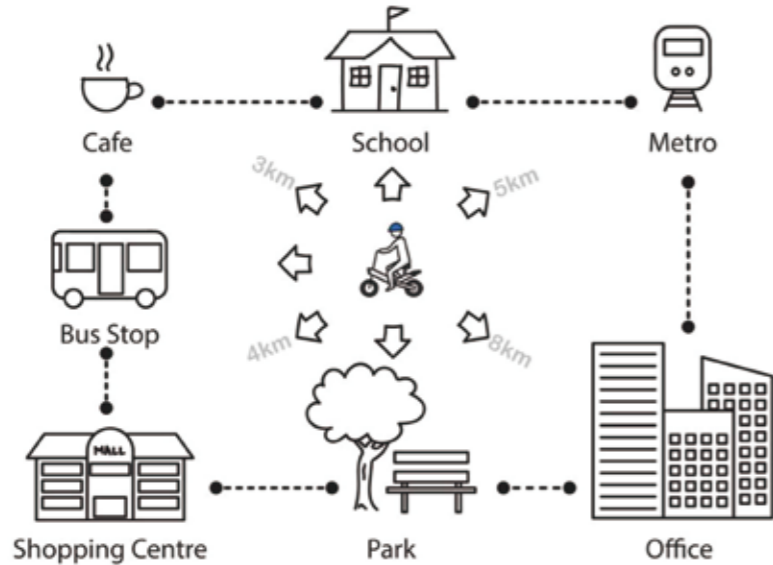


moov8



Move out with Moov8

moov8[®]

Health, Mobility, Adventure



MAG-20

User Manual

Read First

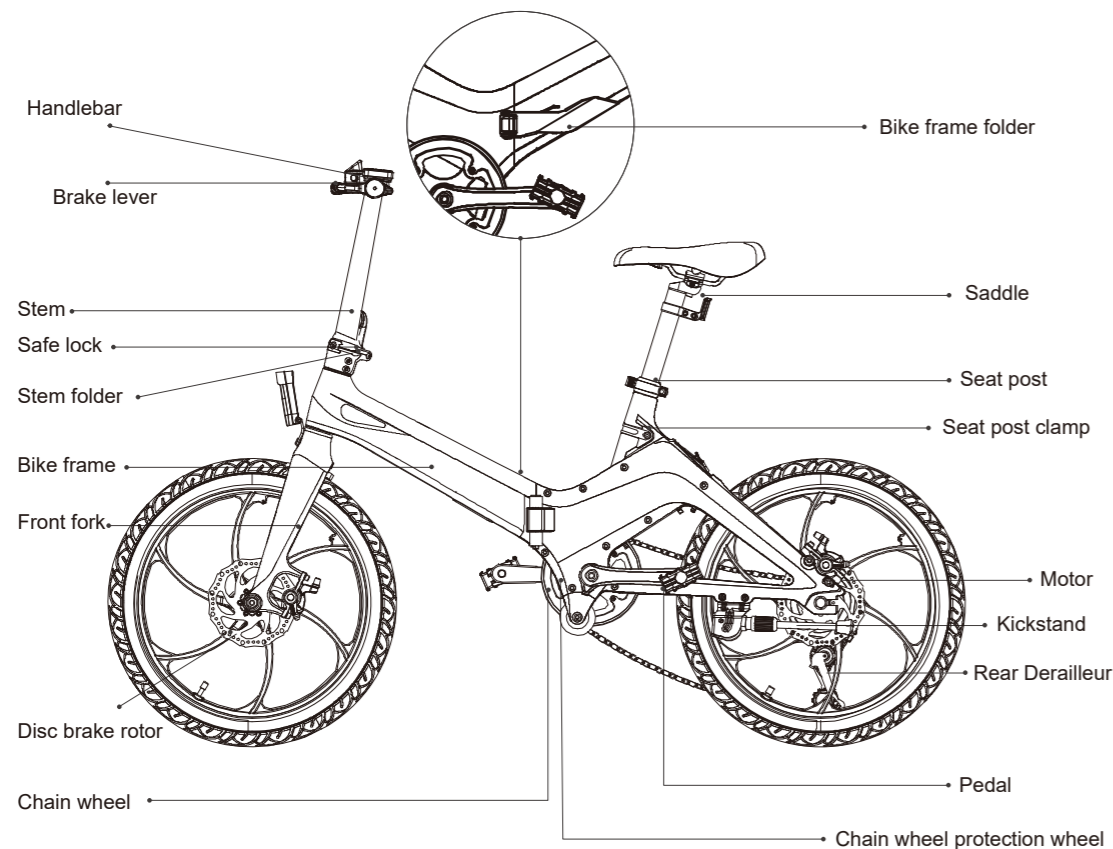
Thank you for choosing the Moov8 MAG-20 E-BIKE.

Please read this entire user manual carefully before first use, following all safety notes and instructions.

This manual will help you

- 1) Understand the product and how it works;
- 2) Familiarise yourself with riding principles, helping you ride safely and happy;
- 3) Understand the basic operating steps and how to use the control panel;
- 4) Learn the daily maintenance requirements to extend product life and ensure correct operation.

Components



Matters need attention

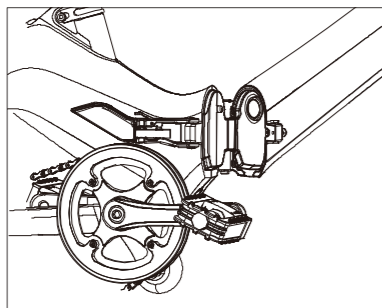
To ensure your riding safety and a joyful riding experience, we specially request you to comply with the following requirements when using the product.

- ✓ Before riding, make sure to read carefully and fully understand the Moov8 MAG-20 User Manual.
- ✓ Do not let people who have not carefully read and fully understood the Moov8 MAG-20 User Manual use your Moov8 MAG-20.
- ✓ Strictly comply with the applicable age requirement in your state/ territory to ride an electric bike/personal mobility device.
- ✓ Pregnant women or people who are unwell must not use Moov8-MAG-20.
- ✓ When feeling unwell physically or mentally due to illness or under the influence of medicine or alcohol, do not ride the Moov8 MAG-20.
- ✓ Moov8 MAG-20 is designed for only one rider, and never try to ride double or more, or ride holding a child.
- ✓ Before riding Moov8 – MAG-20, make sure that both your physical and mental conditions enable you to freely get on and off the e-bike and control Moov8 MAG-20 well, without the help of others.
- ✓ Assemble all components correctly and properly in strict accordance with the assembly instructions in Moov8 MAG-20 User Manual.
- ✓ Improper assembly may cause risks of loss of control, collision or falls. When assembling the MAG-20, take care to apply appropriate force, as either screwing too tight or too light may cause damage to the MAG-20 or malfunctions. Special note: do not conduct assembly or service with the power turned on.
- ✓ Do not try to modify or service the Moov8 MAG-20 by yourself. Should any problem happen, feel free to contact the retailer/distributor, as this is your most reliable choice.
- ✓ Before riding, always make sure that no abnormalities such as loose parts, damage or malfunctions exist.

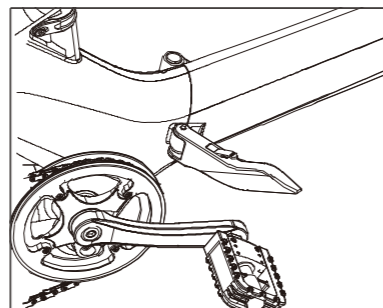
- ✓ Regularly check the tyre pressure. Incorrect tyre pressure may lead to travel instability or damage, or even accidents in extreme cases. Measure the tyre pressure at least once each month and measure again before starting a long-distance ride.
- ✓ Should you spot any loose part, damage, abnormality or malfunction during the use of Moov8 – MAG-20, stop using it immediately, and carry out troubleshooting and repair timely to avoid dangers.
- ✓ Moov8 – MAG-20's battery must be stored in environments with a temperature ranging from -20 to 45°C. Do not place Moov8 MAG-20 where the temperature is over 50°C. When the ambient temperature falls below -20°C, the battery will enter into a self-locked state, and can't be charged or used.
- ✓ Should any leakage or other abnormalities (including breakage, emission of odd smell or smoke, overheating, etc.), stop using the product immediately and prevent the battery from contacting other objects.
- ✓ Never try to open or pierce or disassemble the battery, or perform any irrational operations.
- ✓ Do not wear high heels or other unsuitable shoes, too loose or ill-fitting clothes for riding Moov8 – MAG-20, and always wear specialized protective clothing when riding it.
- ✓ Never try to ride Moov8 MAG-20 in rainy weathers or on wet roads, as wet and slippery roads may reduce the tyre's resistance and lengthen the MAG-20 braking distance, and may also lead to loss of control or other accidents incurred by tyre skidding.
- ✓ Use a soft cloth to wipe and clean the MAG-20 body, and never try to flush it with powerful water jets or a high-pressure hose. Do not immerse Moov8 MAG-20 in water, or else errors such as uncontrollable malfunctions, abnormalities or accidents may occur.
- ✓ Never try to ride Moov8 MAG-20 under adverse environmental conditions such as bad weathers, low visibility, poor illumination, etc. Ensure you are physically fit and ready to ride it.

Quick Start / Assemble

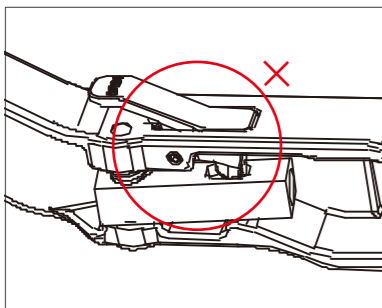
1. Unfold the bike



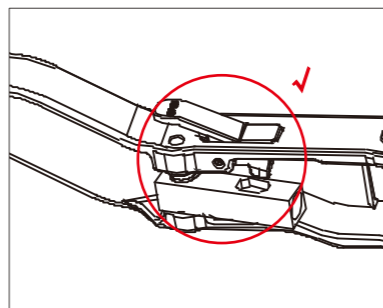
1. Hold the vehicle body, unfold the frame



2. As picture, lock the folder clamp tightly, please finish step 3) & 4) before lock the clamp



3. If the fastener shows as picture, need press it down to release the convex piece



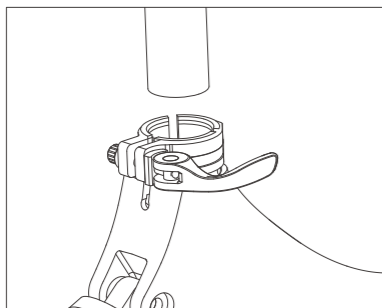
4. If the fastener shows as picture, then can operate step 2) to lock the frame

Warning

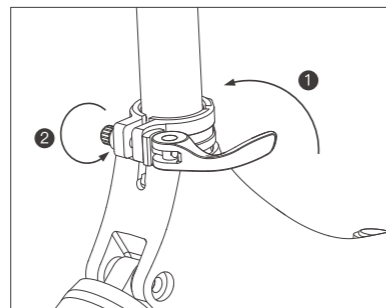
When riding an ebike, care must be taken to avoid personal injury or damage to the ebike. Damage to the ebike may cause loss of power and affect the performance of the product. Please note the follow before using the ebike:

- √ Check if all parts of the Moov8 – MAG-20 are well installed without damage.
- √ Check the brakes operate effectively.
- √ Check that the folding mechanism is locked.
- √ Check the battery is charged.
- √ Check that lights are working properly.
- √ Check the tyre pressure is appropriate.
- √ Check if all nuts and bolts are tight.
- √ Don't carry heavy objects on the handle bar.
- √ Do not ride in the rain or wet conditions.
- √ Don't rotate the handle violently while driving at high speed.
- √ The MAG-20 is designed for one rider only. Don't carry a child.
- √ Wear a helmet and protective clothing to avoid possible injury.

3.Seat post assembling

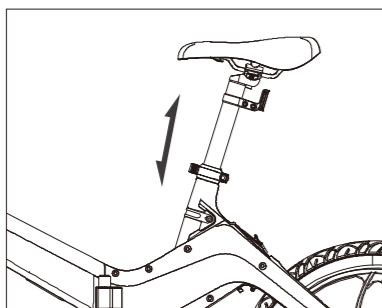


1.Loosen the seat post clamp , keep the bike steady , insert the seat post in the frame.

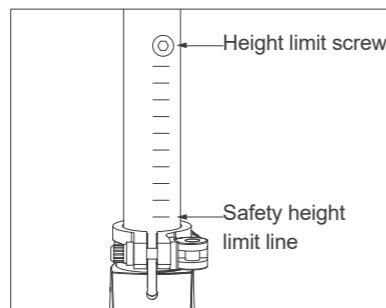


2.Adjust the screw ,tighten the clamp, then press the saddle at full tilt to ensure the seat post locked tight enough and doesn't rotate or move up and down .

4.Adjustment of saddle height



1.When you need to adjust the height of the saddle , first loosen the seat post clamp , then move the seat post to the preferred height , tighten the seat post clamp

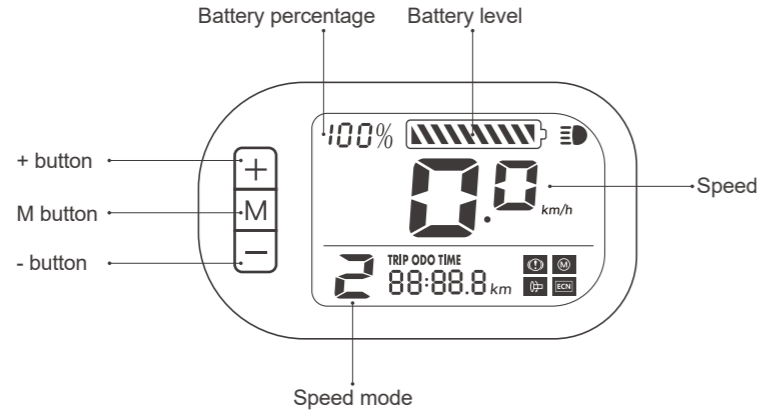


2.The saddle height mustn't exceed the height limit screw or safety height limit line

Common cause of frequent malfunction

No power assist while riding	No power to motor	<ol style="list-style-type: none"> 1. Check battery is installed correctly 2. Battery needs to be charged
Limited mileage	<ol style="list-style-type: none"> 1. Low battery 2. Low tyre pressure 3. Overloading E-bike 4.Aging or normal recession of battery 5. Temperature is too low, battery life is reduced in low temperatures. 	<ol style="list-style-type: none"> 1. Check to ensure the charger is undamaged 2. Check the tire pressure 3. Check weight limit 4. Change battery 5. Check temperature
Battery won't charge	<ol style="list-style-type: none"> 1. Charger is not plugged in correctly 2. Battery temperature is too low 3. Battery temperature is too high 	<ol style="list-style-type: none"> 1. Check charger plugs and cables 2. Wait till the temperature increases 3. Wait till the temperature decreases
No data display on meter	<ol style="list-style-type: none"> 1. Low battery 2. Power transverter damaged 3. Meter damaged 	<ol style="list-style-type: none"> 1. Check battery is installed correctly, and charging 2. Contact service centre 3. Contact service centre

Display



Button functions:

M : the multifunctional button , long press for 3 seconds to switch on/off the bike ; short press to switch the display of single trip mileage , total mileage and running time
 + : long press for 3 seconds to turn on/off the front light , short press to switch gear

- : short press to switch gear

Speed modes:

- Speed mode 0 : no assistance , pure pedaling mode
- Speed mode 1 : low assistance , top speed 12km/h
- Speed mode 2 : mid assistance , top speed 18km/h
- Speed mode 3 : high assistance , top speed 25km/h

Icons' meaning:

- Indicates the front light is on
- Indicates the brake is working
- Indicates the throttle is not working or not working properly
- Indicates the motor is not working or not working properly
- Indicates the controller is not working or not working properly

TRIP ODO TIME

Switch among single trip mileage , total mileage and running time

88:88.8

The figures of single trip mileage , total mileage and running time

Battery charging and maintenance

A well-maintained battery can perform well even after many kilometers of riding.

Please keep the battery 15°C to 40°C when the condition of charging. Do not store below/above - 20°C ~ 50°C. Do not store or charge the battery at temperatures outside the stated limits.

Please turn off the power and recharge the battery when the battery power indicator shows a low battery. Avoid draining the battery completely; it will seriously affect the battery performance and life. Please turn off the ebike before charging.

At the time of charging first connect the charger to the battery then the charger points to the power unit before turning on the power switch. After the charge is completed; switch off the power switch; disconnect the charger plug and then remove the charger from the battery.

Please use the original charger, pay attention to the battery type, and the applicable voltage of the charger. Do not mix chargers between bikes. When charging, the indicator light is red, and turns green when fully charged. When the battery is full please unplug the charging head.

Please cover the charging point with the rubber cap after charging, otherwise it may cause battery damage.

Typically, a fully charged battery should retain charge for 120-180 days in Standby Mode. Remember to charge the battery at least once every three months. Completely draining the battery outside this range may cause permanent damage to the battery and will void the warranty.

It is strictly forbidden to place the battery in acid and alkaline liquid, keep away from a source of heat and do not damage or disassemble the battery. Do not insert metal objects into the charging port to avoid short-circuit.

If the battery or charging is abnormal, please contact the customer service or sales staff immediately.

Storage and Maintenance

1. Keep the ebike in a place where there is no direct sunlight and away from water / moisture;
2. Regularly check each screw of the E-bike is tightened, and tighten it if needed;(refer to Torque settings)
3. If there is stain on the surface of the E-bike body, use a soft cloth with a small amount of water to wipe clean; do not use alcohol, gasoline or other chemical solvents, otherwise it will seriously damage the appearance or internal structure of the E-bike body.
4. Chain tension: chain up and down $\leq 10\text{mm}$. If the chain is loose: the rear wheel nut can be loosened, the chain tensioner can be adjusted to the chain fastening state, and the rear wheel nut can be tightened.
5. If the disc brakes and the disc plate rub, adjust the position to have no contact when brake is open. If the disc plate is heavily skewed or the disc brake is unable to clamp completely, then the disc or disc brake needs to be replaced.
6. Every 3 months, apply grease to the folding hinge screws and to maintain the chain smear anti-rust chain oil.
7. Do not flush the ebike with water to avoid damaging internal electronic components and wiring.

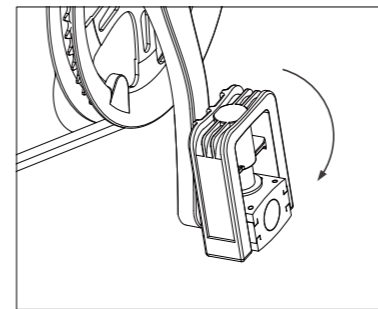
Torque Settings	
Head Tube Screw	180-220kgf.cm
Saddle Screw	180-220kgf.cm
Front Wheel Nut	250-300kgf.cm
Rear Wheel Nut	300-350kgf.cm

Regular maintenance & check

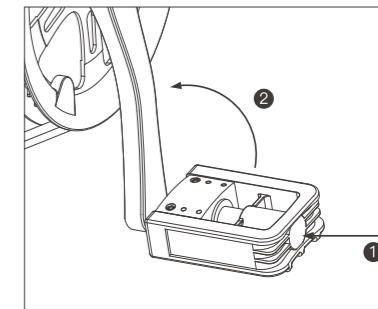
Maintenance part	Maintenance purpose
Brake	Check the brake functions correctly, and can stop the bike.
Tire	Check the tires condition and pressure.
Tire Rim	Check the rim conditions, make sure rims are straight and undamaged.
Wires	Check if the wires ports are loose or any wires are broken / damaged.
Screws	Check the screws and bolts are tightened.
Battery	Check the battery performance, and that battery is correctly fitted.
Charger	Check if the charger cables are undamaged, and plugged in correctly.
Lubrication	Check if the axles need lubrication.
Cleaning	Keep the bike clean and stored correctly.

Tip: Please maintain and check the E-bike regularly, to ensure years of safe riding.

5.Unfold & Fold the pedals

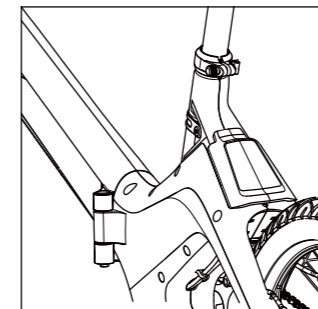


1.Hold the vehicle body and unfold the pedals

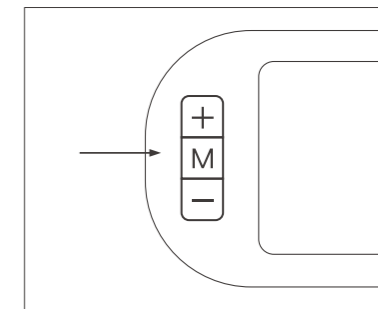


2.Press the pedal towards to the crank, and fold it up.

6.Power on/off operation



1.Charge the battery before your first ride.
Note: When charging is completed, please cover the plug to avoid the water intake of the charging port.



2.Press M button for 3 seconds to turn on the bike

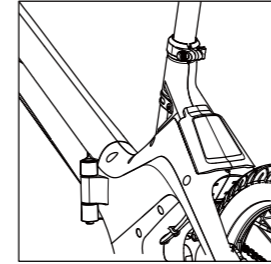
Matters need attention

- 1 Please take the initiative to understand and comply with local traffic regulations before riding.
- 2 In case of accidents and injury, you should wear protective appliances well before riding, like helmet, gloves, elbow pads, knee pads etc.
- 3 You should check your bike conditions before riding. (make sure that brakes work well, battery is fully charged, enough tire pressure, no abnormal sound, no screws loosen etc)
- 4 Do not ride on slippery road conditions, especially on snowy and watery roads.
- 5 Do not ride on slopes over 15°.
- 6 If you must ride when it's raining or snowing, keep it at a low speed and a longer distance from the vehicles in front of you, in case of emergency stops.
- 7 Kids under age 12 are not allowed to ride the e-bike.
- 8 Avoid sudden acceleration and deceleration, do not exaggerated lean, either forwards or back while riding, and keep it at a limited speed.
- 9 When the remaining battery power is low, please ride on low constant speed and charge the battery as soon as possible.
- 10 If a fall is inevitable, always keep your safety prior to the bike.
- 11 Do not put your hands in pocket while riding.

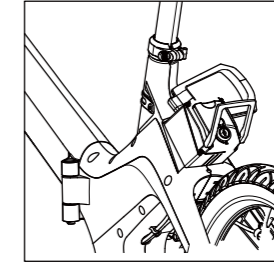
- 12 Do not store your bike in car trunk too long time in hot weather.
- 13 Please study the local traffic laws and regulations before riding.
- 14 Keep an eye on the surroundings, ride in a controllable condition and avoid any collisions that might occur.
- 15 Keep a safe distance from others while riding.
- 16 Do not ride in dim environments, if necessary, be cautious and lower your speed or stroll your bike.
- 17 Do not ride backwards and do not do any actions that might endanger yourself or others while riding.
- 18 Do not lend your bike to those who are not familiar with the manual.
- 19 Do not ride while you don't feel well, nor after taking drugs or consuming alcohol.
- 20 Do not lift your bike from tires, to avoid that your fingers get stuck between the tire and the casing.
- 21 Please speed up slowly. Sudden acceleration may cause out-of-balance and injure yourself.
- 22 Do check the brake function before riding, regularly adjust the brake wire tension.
- 23 The Power Assist Sensor (PAS) will start to work when pedaling 3/4~1 cycle. Beware of crank rotating when walk.
- 24 Brake lever control is left for rear brake, right for front brake

Other Operations

Uninstall & Install battery

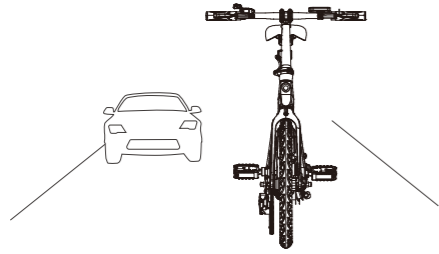


1. Power off the vehicle, unlock the battery, then pull out the battery box with the lifting handle as picture shows.

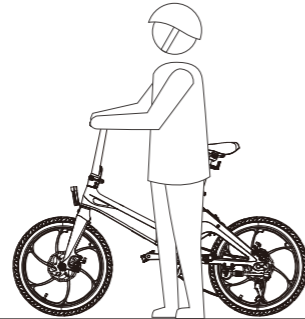


2. When installing battery, lock the battery with key and take the key away, press battery handle to be flat, and unfold the bike frame.

Safety tips



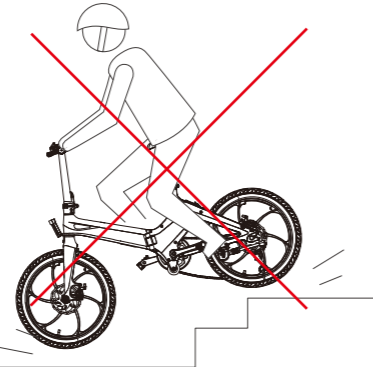
Riding on motorway or other dangerous roads is prohibited



Riding on slippery roads is prohibited



Riding with one hand or no hands on the handlebar is prohibited



Riding on stairways is prohibited

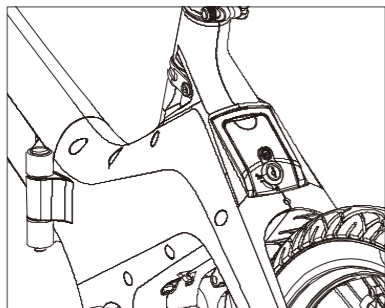
Specifications

Electric Components	Motor (W)	36V 250W	Max Speed	25KM/hr (EU)
	Sensor (Speed/Torque)	Speed	Display & Brand	LCD Display
	Max torque (N.m)	41 N.m	Max range for PAS mode	up to 70km
	Battery	7.8Ah	Charging Voltage	100-240V
	PAS Level	3 level	Charging time	around 4 hours
Mechanical & Other Components	Frame	Magnesium frame, die-casting one piece	Rim	Magnesium, motor integrated wheel
	Fork	Magnesium frame	Front Suspension	N/A
	Crank	44T	Tyre & Brand	20 *2.125 inches, CST (Reflective Tires)
	Headset	Steel+aluminum	Saddle Material	Saddle with rear light
	Handle Grip	Black Leather grips	Seat post & Brand	Aluminum
	Brake Set and Brand Name	NUTT hydraulic disc brake - motor cut off function	Stem	Aluminum, foldable
	Chain Brand	KMC	Pedal	Foldable
	Gear Set / Derailleur and Brand name	6 speed shifter (Shimano gears)	Light	Yes
	Mudguard / Fender	Yes	Side Kick Stand	Yes
	Battery lock	Yes	Bell	Yes
Size & Packaging	Max Load	120 Kg	Assembled Size	1520*650*1080 mm
	NW/GW	N.W: 19.8kg /G.W:23.5 kg	Folding Size	800*430*670 mm
	Box Size	830*420*620mm		

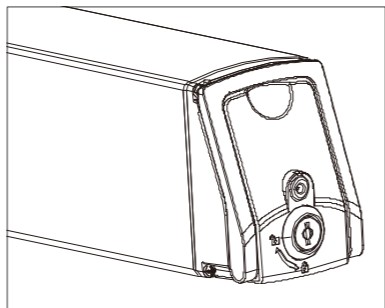
Remarks:

- 1.Mileage is subjected to weight, road condition, temperature,wind speed,riding habit etc. and the mileage on the MAG-20 is tested under the condition of loading 65kg, 25°C temperature, riding on flat road, wind less than 10Km/h with full electric assist.
- 2.Only use original charger to charge the battery.
- 3.Unauthorized modification will void warranty.

Charging

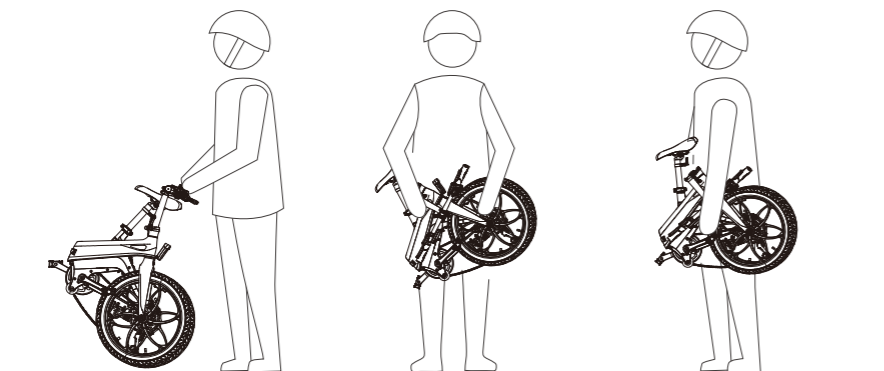


Charging option one : open the rubber cap at the charging port and charge

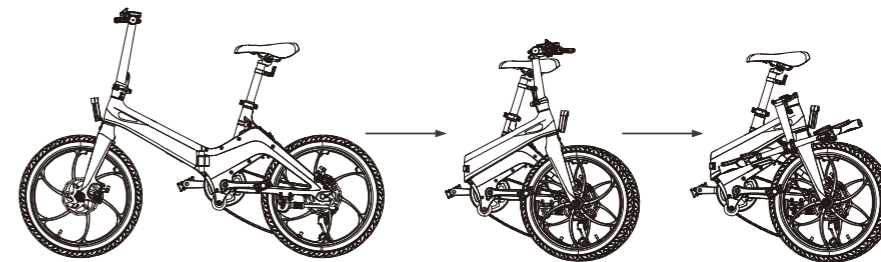


Charging option two : charge the battery outside of the bike , saves you the trouble of moving the bike around

Strolling and carrying



Quick folding



Hazardous material and contents

Product material	Hazardous materials					
	Lead (Pb)	Mercury (Hg)	Cadmium (Cd)	hexavalent chromium (Cr(VI))	Polybrominated biphenyls (PBB)	Polybrominated diphenyl ethers (PBDE)
Metal	○	○	○	○	○	○
Paint	○	○	○	○	○	○
Plastic	○	○	○	○	○	○
Rubber	○	○	○	○	○	○

This chart is subject to the regulation of SJ/T 1136

○ means the ratio of the hazardous material in the parts is within the GB/T 26572 standard

× means the ratio is beyond the GB/T 26572 standard in at least one part

Warranty

Your Moov8 MAG-20 is covered under a limited 12 months warranty.

Limits of warranty:

12 months warranty for the frame & motor.

12 months warranty for battery (covers malfunction, but does not cover deterioration of performance)

6 months for electrical components (controller, charging port, battery charger, digital display)

Other components are considered consumables and are not covered by warranty.

The warranty is for parts replacement only and does not include labor or shipping costs associated with the repair.

The warranty will be null and void if:

Damaged to the MAG-20 was due to exceeding the manufacturer's recommended maximum load limits.

Water damage, physical damage, incorrect charging or use of charger other than provided by Moov8 for the MAG-20.

Charging/soring the battery at temperatures outside the stated limits.

Using MAG-20 for any commercial activities.

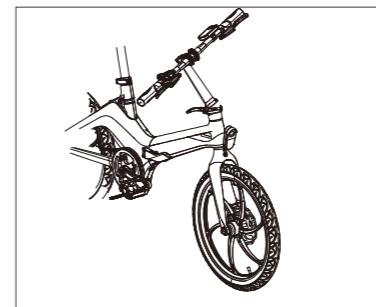
MAG-20 is not serviced and maintained and service regularly.

Damage by man-made causes or accidents.

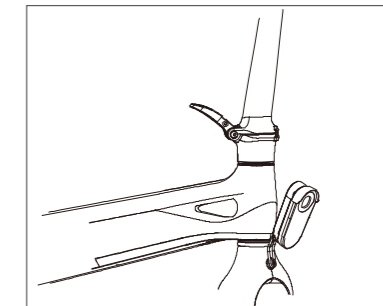
Any modification or change in the product or dissembled or repaired by an unqualified mechanic.

Damage caused by, (including but not limited by) assembly, transportation, transit in courier, loading/unloading, etc.

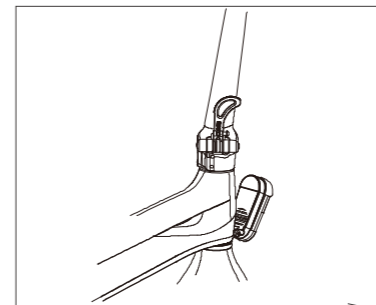
2.Unfold the stem



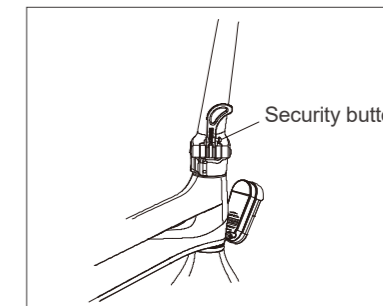
1.Hold the bike body and turn the stem upright to ensure that the stem is seamlessly connected to the underside



2.Fasten the folding wrench directly in the direction of the stem



3.Slightly shake the stem and check if the security buckle is fully buckled..



4.When folding the stem, you need to press the security buckle and then open the folding wrench to it

As with all mechanical components, the e-bike is subject to wear and high stresses. Different materials and components may react to wear or stress fatigue in different ways. If the design life of a component has been exceeded, it may suddenly fail possibly causing injuries to the rider. Any form of crack, scratches or change of colouring in highly stressed areas indicates that the life of the component has been reached and it should be replaced.

Caution:

E-bike maintenance and repair require specific skills and appropriate tools. Do not repair your e-bike or change any of its settings if you have the slightest doubt regarding your ability to correctly proceed with such work. Contact your retailer/dealer. Any adjustments or repairs that are not properly done can damage the e-bike and lead to accidents resulting in extensive injuries. Using only genuine replacement parts for safety-critical components.

Cleaning

Always remove the battery when cleaning. Use soapy water or water mixed with a gentle detergent, and then rinse with clean water. Make sure that the controller is not exposed to humidity as it contains electronic components. Do not use a high-pressure washer!

User Responsibility

Your electric bike is safe for the environment. Used parts must be disposed of in appropriate selective sorting recycling bins. Refer to your local laws and regulation regarding battery recycling and/or disposal.

Please note: It is recommended that you inspect the state of the fork, the frame, the suspension and the fasteners on regular basis. The materials and components may be subject to usage and wear.

Packing List

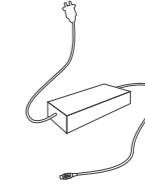
Bike Frame Body



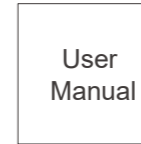
Seat Post



Charger

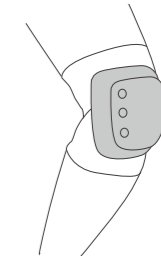


User Informations



The rider must wear a helmet and follow all federal, state, and local laws and road rules.

The Moov8 MAG-20 E-bike is only designed for road and urban use, it is not suitable for off-road, stunt or racing environments.



- √ Nights or other environments with poor light conditions make it hard for riders, drivers and pedestrians to notice each other properly, therefore it's strongly recommended that you do not ride the e-bike under the above-mentioned conditions to avoid potentially serious dangers.
- √ When riding Moov8 MAG-20, always pay close attention to the changes in the road and surroundings, and always ride cautiously.
- √ When riding Moov8 MAG-20, always watch out for overhead obstacles.
- √ During riding, should you encounter an abrupt slope, an uneven road or any other terrain conditions you haven't met before, do not try to risk riding through.
- √ Do not try to turn abruptly at a high speed or brake suddenly on slippery ground, as these kinds of actions may easily cause the MAG-20 to skid and render it uncontrollable.
- √ Ride Moov8 MAG-20 on authorized paths and lanes as applicable in your state/ territory and strictly abide by traffic rules and other related regulations. When approaching or passing a crossroad, a motor vehicle lane etc., slow down and take care to avoid the pedestrians, and watch out for dangerous behaviors by passing vehicles and people that may pose a threat to your safety.
- √ While riding, always pay close attention to nearby vehicles, pedestrians, potholes, sewer covers, railroads, expansion joints, construction areas on the road or sidewalk, debris or other obstacles that may pose a threat to your own and others' personal or property safety.
- √ Never attend phone calls or do any other things that may distract yourself.
- √ When riding Moov8 MAG-20, do not try to put your hand on another vehicle and get yourself dragged along. And avoid inappropriate behaviors like performing stunts or X-sports, etc.
- √ When you need to ride Moov8 MAG-20 to a remote area, do not go alone. Even if you have partners on your journey, you still have to prepare yourselves well for potential risks.
- √ Moov8 MAG-20 is a personal travel tool made for short journeys, and shall not be used for any other purposes such as goods delivery, etc.
- √ Data and Parameters of Moov8 MAG-20 may vary with different models, and they are subject to change without prior notice.
- √ AS A CUSTOMER/USER YOU ARE AWARE OF THE RISKS, DANGERS AND HAZARDS ASSOCIATED WITH RIDING THE ELECTRIC BIKES/PERSONAL MOBILITY DEVICES. YOU FULLY UNDERSTAND, ACCEPT AND FULLY ASSUME ALL SUCH RISKS, DANGERS AND HAZARDS AND THE POSSIBILITY OF PERSONAL OR THIRD- PARTY INJURY, DEATH, PROPERTY DAMAGE OR LOSS RESULTING THEREFROM. Please read the manual carefully and fully understand every instruction before riding.
- √ The laws & rules regarding the use of electric bikes/personal mobility devices varies between states/territories. Customer must review these laws before purchasing and abide by their local by-laws and use responsibly. Ride with caution and safety equipment (including helmets and protective gear) should always be worn when riding.

Dear Esteemed Buyer,

Thanks for purchasing the Moov8 MAG-20. This bike is an electric pedal assist bike (EPAB or Pedalecs). It is equipped with pedals and a power-assisted electric motor, which can be driven by both manpower and with the assistance of electric power.

Travelling is an everyday necessity and adopting an active means of transportation like an electric bike goes a long way to not only helping people get fit and healthy but also lowering their risk of illness, improving air quality and reducing congestion.

Electric bikes can help conserve our environment in a number of ways:

- A zero-emission e-bike is a pollution-free and sustainable mode of transport.
- Bikes, scooters, and personal mobility vehicles reduce the need to build, service and dispose of cars.
- Less cars means less space required for roadways, leaving more space for residential zones, parks and recreation areas.

For your safety please ride with caution, wear a helmet and protective gear, and follow the local traffic rules. Please read the manual carefully, check your bike before riding, and practice before riding on the road.

Have a pleasant ride!



Move out with Moov8

