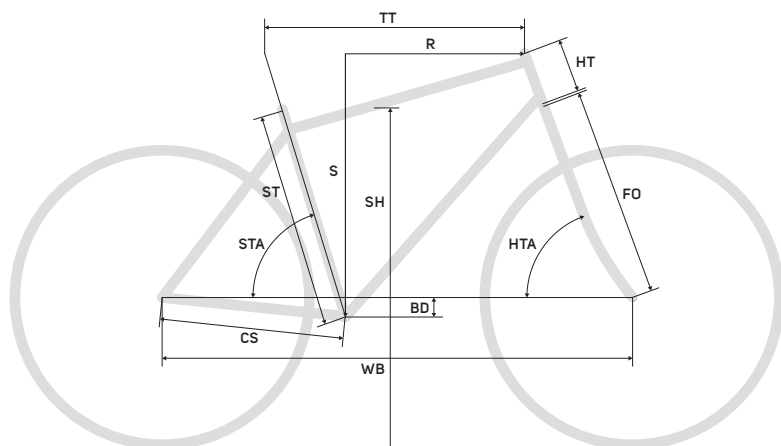


NINETY-SIX

FRAME	CF5	CF4	CFA	LITE
MAX. WHEELSIZE	29x2.25"	29x2.25"	29x2.25"	29x2.25"
MAX. CHAINRING	1x34T; 2x38/28T	1x34T; 2x38/28T	1x34T; 2x38/28T	1x34T; 2x38/28T
HEAD TUBE				
TAPERED 1-1/8" - 1.5"	•	•	•	•
HEADSET				
SEMI-INTEGRATED (44-55 MM)	•	•	•	•
BRAKE STANDARD				
DISC BRAKE ON CHAIN STAY	•	•	•	•
POST MOUNT 160 MM REAR BRAKE	•	•	•	•
BB-STANDARD				
BB 92	•	•	•	•
SEATPOST DIAMETER				
30.9 MM	•	•	•	•
REAR DROPOUT-STANDARD				
THRU AXLE 12X148 MM	•	•	•	•
CABLE ROUTING				
INTERNAL SHIFTING CABLES	•	•	•	•
INTERNAL BRAKE CABLE	•	•	•	•
INTERNAL SHOCK CABLE	•	•	•	•
INTERNAL SEAT POST CABLE	•	•	•	•
DI2-READY				
•	•	•	•	•
FD-STANDARD				
HIGH DIRECT MOUNT	•	•	•	•
SIDE SWING	•	•	•	•
FRAMEWEIGHT*	1820g	1930g	2420g	2710g
RD HANGER	DH-053			

* Frame weight only at size M (+/- 3%): Without axle, frame protectors, saddle clamp, shock bolts, hanger, steerer cups and cable guides



FS = ST frame size = seat tube [mm] TT top tube [mm] HT head tube [mm]
 HTA head tube angle [°] STA seat tube angle [°] CS chain stay length [mm] BD bottom bracket drop [mm]
 FO fork length [mm] S stack [mm] R reach [mm] WB wheel base [mm]

NINETY-SIX CF5

	M	L	XL
FS	M	L	XL
ST	460	510	560
TT	590	615	640
HT	100	115	130
HTA	70	70	70
STA	74.5	74.5	74.5
CS	437	437	437
BD	40	40	40
FO	503	503	503
S	589	603	617
R	429	449	468
WB	1118	1143	1168

NINETY-SIX CF4

	M	L	XL
FS	M	L	XL
ST	460	510	560
TT	590	615	640
HT	100	115	130
HTA	70	70	70
STA	74.5	74.5	74.5
CS	437	437	437
BD	40	40	40
FO	503	503	503
S	589	603	617
R	429	449	468
WB	1118	1143	1168

NINETY-SIX CFA

	M	L	XL
FS	M	L	XL
ST	460	510	560
TT	590	615	640
HT	100	115	130
HTA	70	70	70
STA	74.5	74.5	74.5
CS	437	437	437
BD	40	40	40
FO	503	503	503
S	589	603	617
R	429	449	468
WB	1118	1143	1168

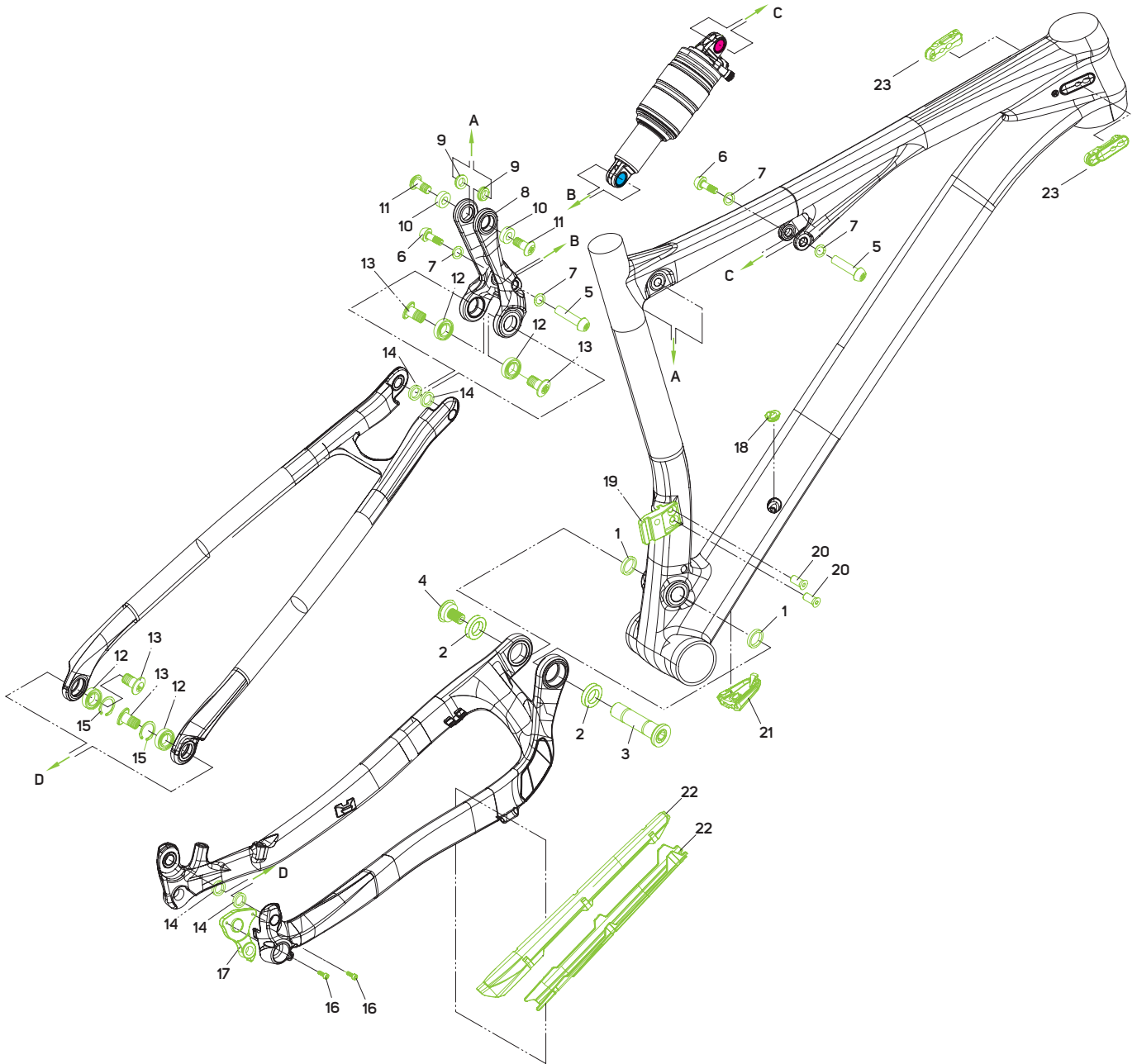
NINETY-SIX LITE

	M	L	XL
FS	M	L	XL
ST	460	510	560
TT	590	615	640
HT	100	115	130
HTA	70	70	70
STA	74.5	74.5	74.5
CS	437	437	437
BD	40	40	40
FO	503	503	503
S	589	603	617
R	429	449	468
WB	1118	1143	1168

NINETY-SIX CARBON

MM	● SHAFT EYELET		● BODY EYELET	
	PIN WIDTH	PIN ID	PIN WIDTH	PIN ID
165 x 38mm	22,2 mm	8 mm	19 mm	8 mm

Recommended SAG: ~20-25%



NO.	ITEM NO.	ITEM	DETAIL INFORMATION	PIECES	TORQUE NM
1	2294001180	WASHER		2	
2	2221002276	BEARING	1524F 24D*15D*5W	2	
3	2300011111	BOLT		1	
4	2300011122	SCREW		1	
5	2300010488	BOLT		2	18
6	2300010499	SCREW		2	12
7	2292002170	WASHER		4	
8	-	ROCKER		1	
9	2294004235	WASHER		2	
10	2221001297	BEARING	688V2RS 16D*8D*5T	2	
11	2300011133	BOLT		2	14
12	2221002254	BEARING	6800V2RS 19D*10D*5T	4	

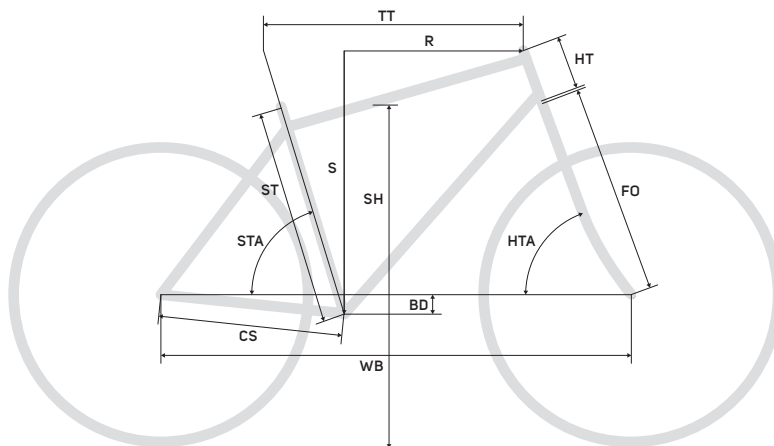
NO.	ITEM NO.	ITEM	DETAIL INFORMATION	PIECES	TORQUE NM
14	2294003427	WASHER		4	
15	2294004428	RETAINING RING		2	
16	2300010886	SCREW		2	4
17	2311004928	DROPOUT DH-053	see page 444	1	
18	2143002892	CABLE PLUG		1	
19	2164001290	FD ADAPTER		1	
20	2300011359	BOLT		2	8
21	2258003867	CABLE EXIT		1	
22	2158003153	CHAINSTAY PROTECTOR		1	
23	-	SMART ENTRY	see page 443		

ONE-TWENTY RC

FRAME	CF4	LITE
MAX. WHEELSIZE	29x2.35"	27.5x2.35" 29X2.35"
MAX. CHAINRING	1x34T	1x34T; 2x36/26T
HEAD TUBE		
TAPERED 1-1/8 - 1.5	•	•
HEADSET		
INTEGRATED	•	•
BRAKE STANDARD		
DISC BRAKE ON CHAIN STAY	•	•
POST MOUNT 180 MM REAR BRAKE	•	•
BB-STANDARD		
BB 92	•	•
SEATPOST DIAMETER		
30.9MM	•	•
REAR DROPOUT-STANDARD		
E-THRU AXLE 12X148	•	•

FRAME	CF4	LITE
CABLE ROUTING		
INTERNAL SHIFTING CABLES	•	•
INTERNAL BRAKE CABLE	•	•
INTERNAL SEAT POST CABLE	•	•
DI2-READY	•	•
FD-STANDARD		
LOW DIRECT MOUNT		•
SIDE SWING		•
FRAMEWEIGHT*	2105g	3020
RD HANGER		DH-053

* Frame weight only at size M (+/- 3%): Without axle, frame protectors, saddle clamp, shock bolts, hanger, steerer cups and cable guides



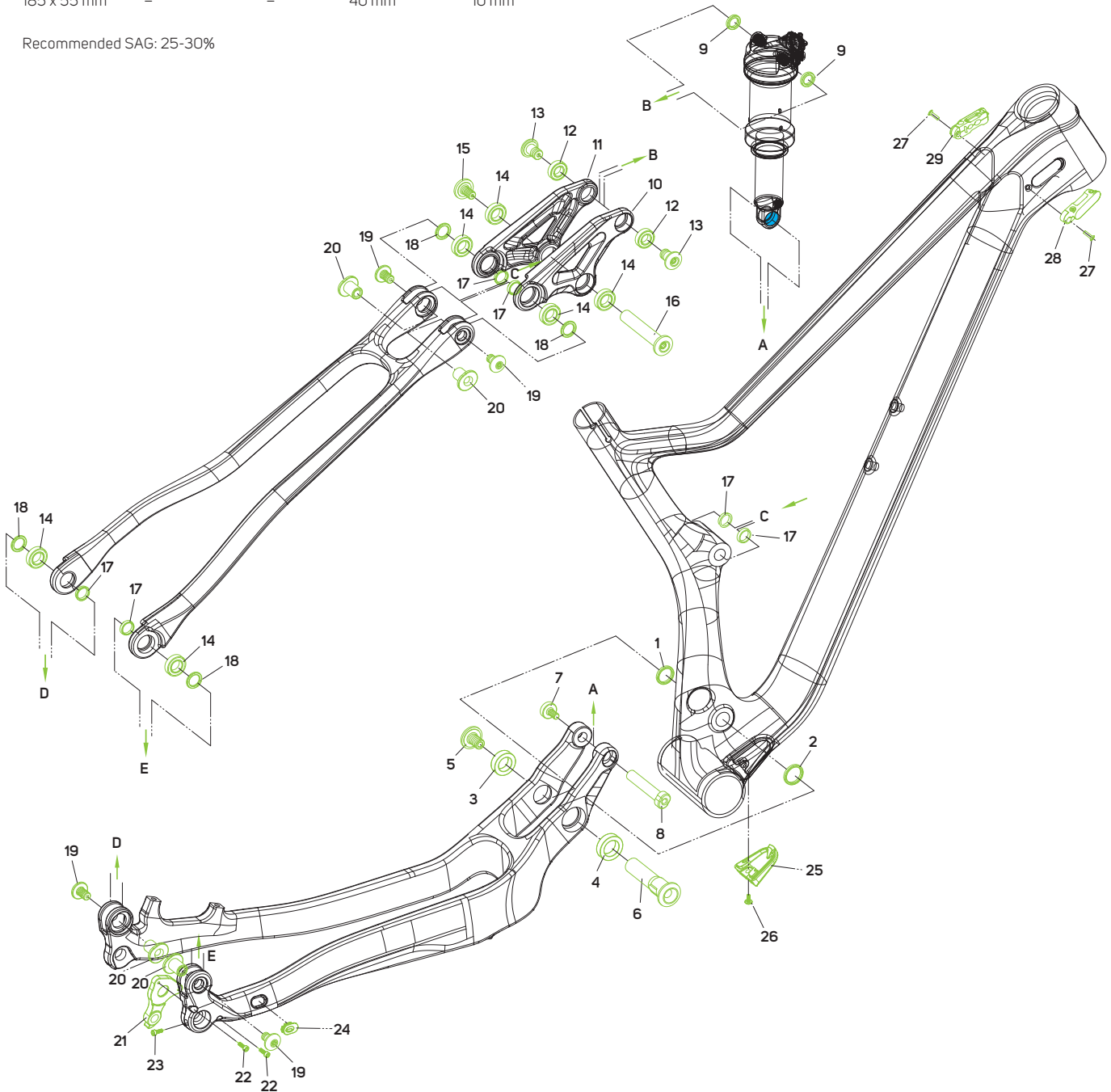
ONE-TWENTY RC CF4				
	S	M	L	XL
FS frame size				
ST seat tube [mm]	400	440	480	520
TT top tube [mm]	571	591	613	635,5
HT head tube [mm]	95	95	105	115
HTA head tube angle [°]	67,8	67,8	67,8	67,8
STA seat tube angle [°]	76	76	76	76
CS chain stay length [mm]	435	435	435	435
BD bottom bracketed drop [mm]	43,5	43,5	43,5	43,5
FO fork length [mm]	531	531	531	531
S stack [mm]	603,5	603,5	612,5	622
R reach [mm]	420	440	460	480
WB wheel base [mm]	1137	1157	1180,5	1204,5

ONE-TWENTY RC LITE				
	S	M	L	XL
FS frame size				
ST seat tube [mm]	400	440	480	520
TT top tube [mm]	571	591	613	635,5
HT head tube [mm]	95	95	105	115
HTA head tube angle [°]	67,8	67,8	67,8	67,8
STA seat tube angle [°]	76	76	76	76
CS chain stay length [mm]	435	435	435	435
BD bottom bracketed drop [mm]	43,5	43,5	43,5	43,5
FO fork length [mm]	531	531	531	531
S stack [mm]	603,5	603,5	612,5	622
R reach [mm]	420	440	460	480
WB wheel base [mm]	1137	1157	1180,5	1204,5

ONE-TWENTY RC CF4

MM	SHAFT EYELET		● BODY EYELET	
	PIN WIDTH	PIN ID	PIN WIDTH	PIN ID
185 x 55 mm	-	-	40 mm	10 mm

Recommended SAG: 25-30%



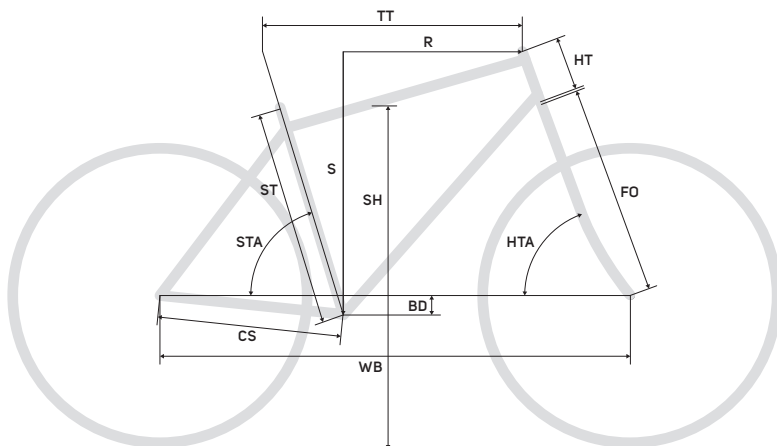
NO.	ITEM NO.	ITEM	DETAIL INFORMATION	PIECES	TORQUE NM
1	2294001180	WASHER		1	
2	2294004882	WASHER		1	
3	2221002191	BEARING	3802V-2RD 24D*15D*7W	1	
4	2221002340	BEARING	172607V 26D*17D*7W	1	
5	2300012907	SCREW		1	18
6	2300012899	BOLT		1	
7	2300013812	SCREW		1	12
8	2300013801	BOLT		1	
9	2294004633	WASHER		2	
10	-	ROCKER		1	
11	-	ROCKER		1	
12	2221002254	BEARING	6800V-2RS 19D*10D*5W	2	
13	2300012918	SCREW		2	
14	2221002265	BEARING	BEARING 6801V-2RS 21D*12D*5W BEARING 6801V-2RS 21D*12D*5W	6	

NO.	ITEM NO.	ITEM	DETAIL INFORMATION	PIECES	TORQUE NM
15	2300012952	SCREW		1	14
16	2300012941	BOLT		1	
17	2294002255	WASHER		6	
18	2294004956	WASHER		4	
19	2300013254	SCREW		4	14
20	2300013265	BOLT		4	
21	2311004928	DROPOUT DH-053	see page 444	1	
22	2300009458	SCREW		2	4
23	2300005272	SCREW		1	5
24	2258003801	CABLE GUIDE		1	
25	2258003867	CABLE GUIDE		1	
26	2300012253	SCREW		1	
27	2300011412	SCREW		2	4
28	-	SMART ENTRY	see page 443		
29	-	SMART ENTRY	see page 443		

ONE-TWENTY

FRAME	CF4	CFA	LITE
MAX. WHEELSIZE	29x2.35"	29x2.35"	27.5x2.35" 29x2.35"
MAX. CHAINRING	1x34T	1x34T; 2x36/26T	1x34T; 2x36/26T
HEAD TUBE			
TAPERED 1-1/8 - 1.5	•	•	•
HEADSET			
INTEGRATED	•	•	•
BRAKE STANDARD			
DISC BRAKE ON CHAIN STAY	•	•	•
POST MOUNT 180 MM REAR BRAKE	•	•	•
BB-STANDARD			
BB 92	•	•	•
SEATPOST DIAMETER			
30.9MM	•	•	•
REAR DROPOUT-STANDARD			
E-THRU AXLE 12X148	•	•	•
CABLE ROUTING			
INTERNAL SHIFTING CABLES	•	•	•
INTERNAL BRAKE CABLE	•	•	•
INTERNAL SEAT POST CABLE	•	•	•
DI2-READY			
•	•	•	•
FD-STANDARD			
LOW DIRECT MOUNT			•
SIDE SWING			•
FRAMEWEIGHT*	2105g	2560g	3020g
RD HANGER		DH-053	

* Frame weight only at size M (+/- 3%): Without axle, frame protectors, saddle clamp, shock bolts, hanger, steerer cups and cable guides



FS = ST frame size = seat tube [mm] TT top tube [mm] HT head tube [mm]
 HTA head tube angle [°] STA seat tube angle [°] CS chain stay length [mm] BD bottom bracket drop [mm]
 FO fork length [mm] S stack [mm] R reach [mm] WB wheel base [mm]

ONE-TWENTY CF4

	S(16")	M(17.5")	L(19")	XL(20.5")
FS	400	440	480	520
ST	572	592	614.4	636.8
TT	95	95	105	115
HT	67.3	67.3	67.3	67.3
HTA	75.5	75.5	75.5	75.5
STA	435	435	435	435
CS	40	40	40	40
BD	541	541	541	541
FO	607.1	607.1	616.3	625.5
S	415	435	455	475
R	1140.7	1160.7	1184.6	1208.4
WB				

ONE-TWENTY CFA

	S(16")	M(17.5")	L(19")	XL(20.5")
FS	400	440	480	520
ST	572	592	614.4	636.8
TT	95	95	105	115
HT	67.3	67.3	67.3	67.3
HTA	75.5	75.5	75.5	75.5
STA	435	435	435	435
CS	40	40	40	40
BD	541	541	541	541
FO	607.1	607.1	616.3	625.5
S	415	435	455	475
R	1140.7	1160.7	1184.6	1208.4
WB				

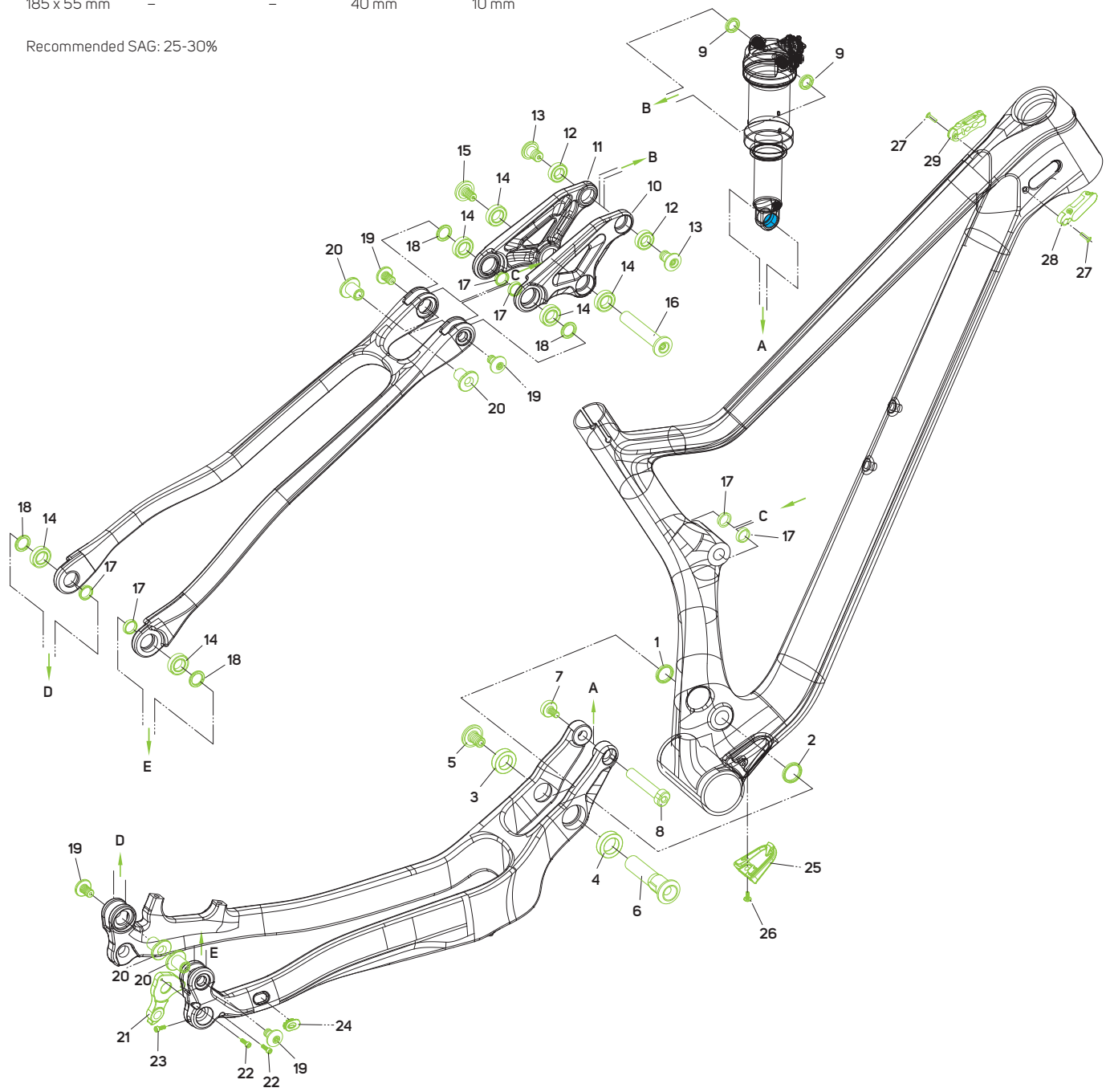
ONE-TWENTY LITE

	27.5"	27.5"	29"	29"	29"	29"
TS	400	440	400	440	480	520
FS	570.6	593.1	572	592	614.4	636.8
ST	105	115	95	95	105	115
TT	66.8	66.8	67.3	67.3	67.3	67.3
HT	75	75	75.5	75.5	75.5	75.5
HTA	430	430	435	435	435	435
STA	21	21	40	40	40	40
CS	522	522	541	541	541	541
BD	580.8	590	607.1	607.1	616.3	625.5
FO	415	435	415	435	455	475
S	1130.1	1154.1	1140.7	1160.7	1184.6	1208.4
R						
WB						

ONE-TWENTY CF4

MM	SHAFT EYELET		● BODY EYELET	
	PIN WIDTH	PIN ID	PIN WIDTH	PIN ID
185 x 55 mm	-	-	40 mm	10 mm

Recommended SAG: 25-30%



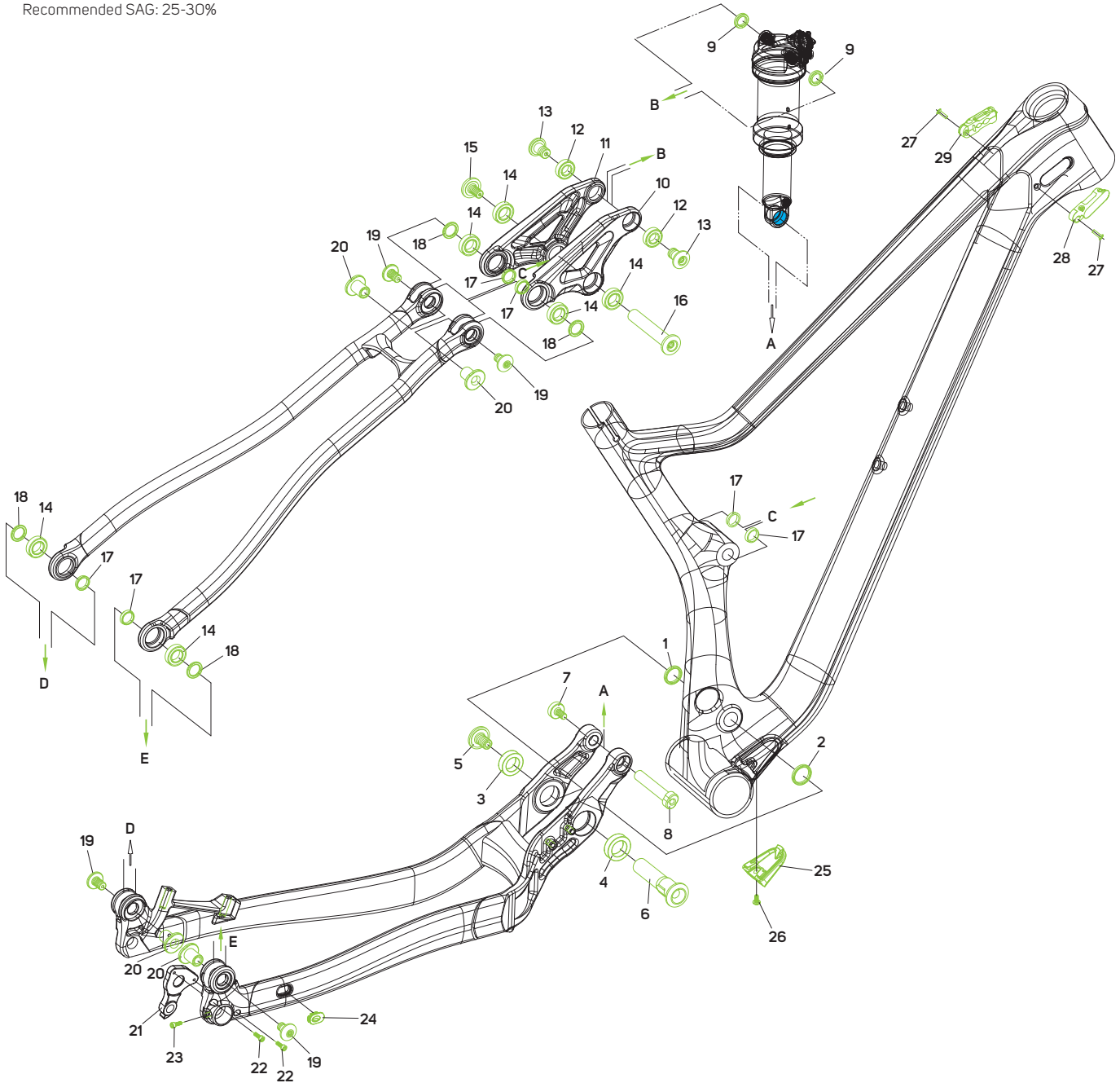
NO.	ITEM NO.	ITEM	DETAIL INFORMATION	PIECES	TORQUE NM
1	2294001180	WASHER		1	
2	2294004882	WASHER		1	
3	2221002191	BEARING	3802V-2RD 24D*15D*7W	1	
4	2221002340	BEARING	172607V 26D*17D*7W	1	
5	2300012907	SCREW		1	18
6	2300012899	BOLT		1	
7	2300013812	SCREW		1	12
8	2300013801	BOLT		1	
9	2294004633	WASHER		2	
10	-	ROCKER		1	
11	-	ROCKER		1	
12	2221002254	BEARING	6800V-2RS 19D*10D*5W	2	
13	2300012918	SCREW		2	
14	2221002265	BEARING	BEARING 6801V-2RS 21D*12D*5W BEARING 6801V-2RS 21D*12D*5W	6	

NO.	ITEM NO.	ITEM	DETAIL INFORMATION	PIECES	TORQUE NM
15	2300012952	SCREW		1	14
16	2300012941	BOLT		1	
17	2294002255	WASHER		6	
18	2294004956	WASHER		4	
19	2300013254	SCREW		4	14
20	2300013265	BOLT		4	
21	2311004928	DROPOUT	DH-053 see page 444	1	
22	2300009458	SCREW		2	4
23	2300005272	SCREW		1	5
24	2258003801	CABLE GUIDE		1	
25	2258003867	CABLE GUIDE		1	
26	2300012253	SCREW		1	
27	2300011412	SCREW		2	4
28		SMART ENTRY			
29		SMART ENTRY			

ONE-TWENTY CFA

MM	SHAFT EYELET		● BODY EYELET	
	PIN WIDTH	PIN ID	PIN WIDTH	PIN ID
185 x 55 mm	-	-	40 mm	10 mm

Recommended SAG: 25-30%

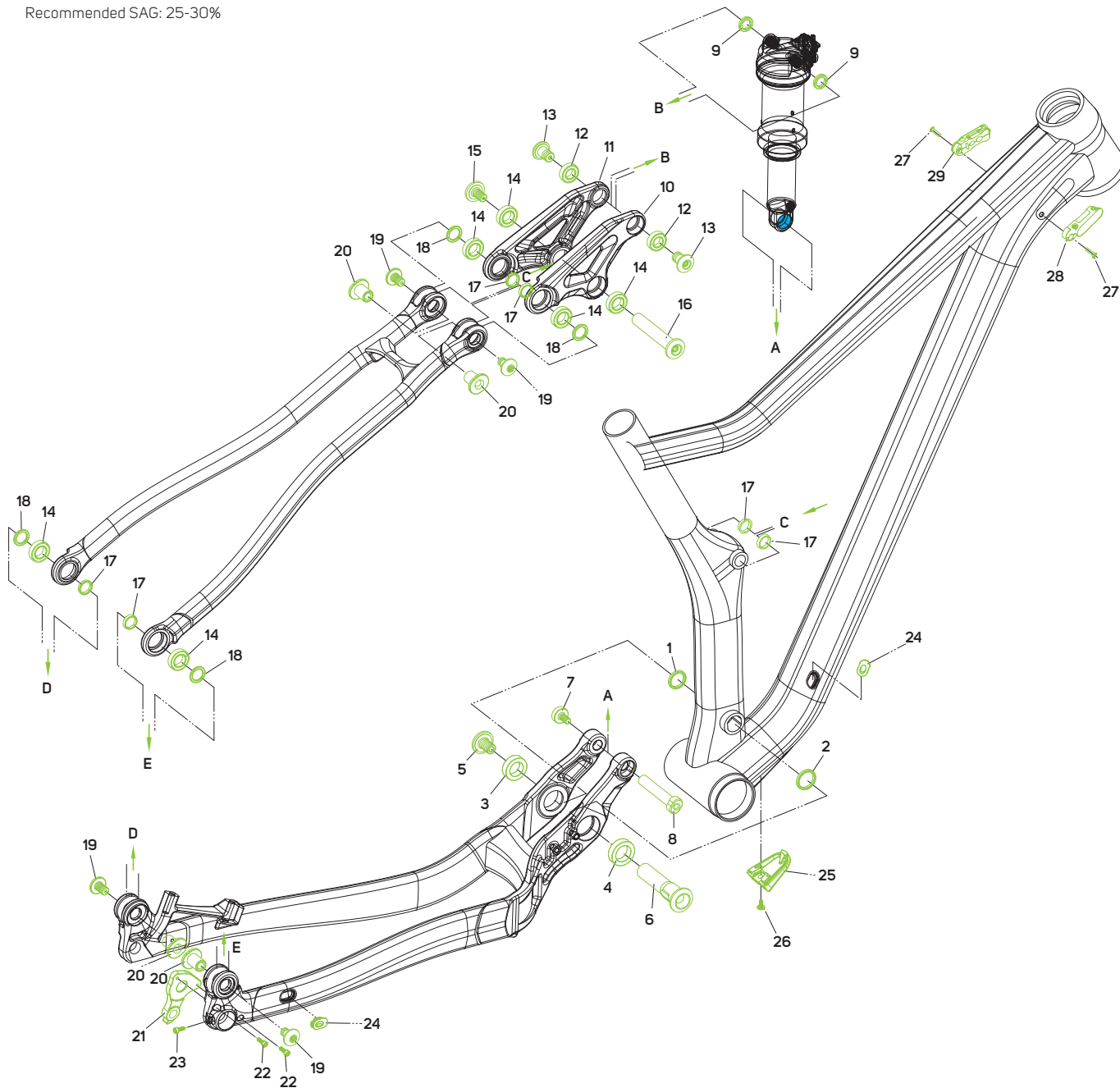


NO.	ITEM NO.	ITEM	DETAIL INFORMATION	PIECES	TORQUE NM	NO.	ITEM NO.	ITEM	DETAIL INFORMATION	PIECES	TORQUE NM
1	2294001180	WASHER		1		15	2300012952	SCREW		1	14
2	2294004882	WASHER		1		16	2300012941	BOLT		1	
3	2221002191	BEARING	3802V-2RD 24D*15D*7W	1		17	2294002255	WASHER		6	
4	2221002340	BEARING	172607V 26D*17D*7W	1		18	2294004956	WASHER		4	
5	2300012907	SCREW		1	18	19	2300013254	SCREW		4	14
6	2300012899	BOLT		1		20	2300013265	BOLT		4	
7	2300013812	SCREW		1	12	21	2311004928	DROPOUT DH-053	see page 444	1	
8	2300013801	BOLT		1		22	2300009458	SCREW		2	4
9	2294004633	WASHER		2		23	2300005272	SCREW		1	5
10	-	ROCKER		1		24	2258003812	CABLE GUIDE		1	
11	-	ROCKER		1		25	2258003867	CABLE GUIDE		1	
12	2221002254	BEARING	6800V2RS 19D*10D*5W	2		26	2300012253	SCREW		1	
13	2300012918	SCREW		2		27	2300011412	SCREW		2	4
14	2221002265	BEARING	BEARING 6801V-2RS 21D*12D*5W 6801V-2RS 21D*12D*5W	6		28		SMART ENTRY			
						29		SMART ENTRY			

ONE-TWENTY ALUMINIUM

MM	SHAFT EYELET		● BODY EYELET	
	PIN WIDTH	PIN ID	PIN WIDTH	PIN ID
185 x 55 mm	-	-	40 mm	10 mm

Recommended SAG: 25-30%



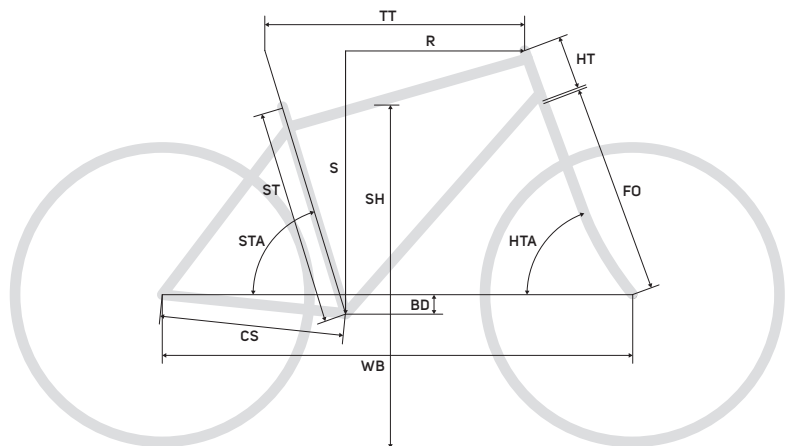
NO.	ITEM NO.	ITEM	DETAIL INFORMATION	PIECES	TORQUE NM
1	2294001180	WASHER		1	
2	2294004882	WASHER		1	
3	2221002191	BEARING	3802V-2RD 24D*15D*7W	1	
4	2221002340	BEARING	172607V 26D*17D*7W	1	
5	2300012907	SCREW		1	18
6	2300012899	BOLT		1	
7	2300013812	SCREW		1	12
8	2300013801	BOLT		1	
9	2294004633	WASHER		2	
10	-	ROCKER		1	
11	-	ROCKER		1	
12	2221002254	BEARING	6800V2RS 19D*10D*5W	2	
13	2300012918	SCREW		2	
14	2221002265	BEARING	BEARING 6801V-2RS 21D*12D*5W 6801V-2RS 21D*12D*5W	6	

NO.	ITEM NO.	ITEM	DETAIL INFORMATION	PIECES	TORQUE NM
15	2300012952	SCREW		1	14
16	2300012941	BOLT		1	
17	2294002255	WASHER		6	
18	2294004956	WASHER		4	
19	2300013254	SCREW		4	14
20	2300013265	BOLT		4	
21	2311004928	DROPOUT	DH-053 see page 444	1	
22	2300009458	SCREW		2	4
23	2300005272	SCREW		1	5
24	2258003812	CABLE GUIDE		2	
25	2258003867	CABLE GUIDE		1	
26	2300012253	SCREW		1	
27	2300011412	SCREW		2	4
28	-	SMART ENTRY			
29	-	SMART ENTRY			

ONE-FORTY

FRAME	ONE-FORTY
MAX. WHEELSIZE	27.5x2.6*
MAX. CHAINRING	1x34T
HEAD TUBE	
TAPERED 1-1/8 - 1.5	•
HEADSET	
SEMI-INTEGRATED (44-55 MM)	•
BRAKE STANDARD	
DISC BRAKE ON CHAIN STAY	•
POST MOUNT 180MM REAR BRAKE	•
BB-STANDARD	
BB 92	•
SEATPOST DIAMETER	
30.9 MM	•
REAR DROPOUT-STANDARD	
BOOST 12X148	•
CABLE ROUTING	
INTERNAL SHIFTING CABLES	•
INTERNAL BRAKE CABLE	•
INTERNAL SEAT POST CABLE	•
DI2-READY	
	•
FD-STANDARD	1x specific
FRAMEWEIGHT*	3040g
RD HANGER	DH-053

* Frame weight only at size M (+/- 3%): Without axle, frame protectors, saddle clamp, shock bolts, hanger, steerer cups and cable guides



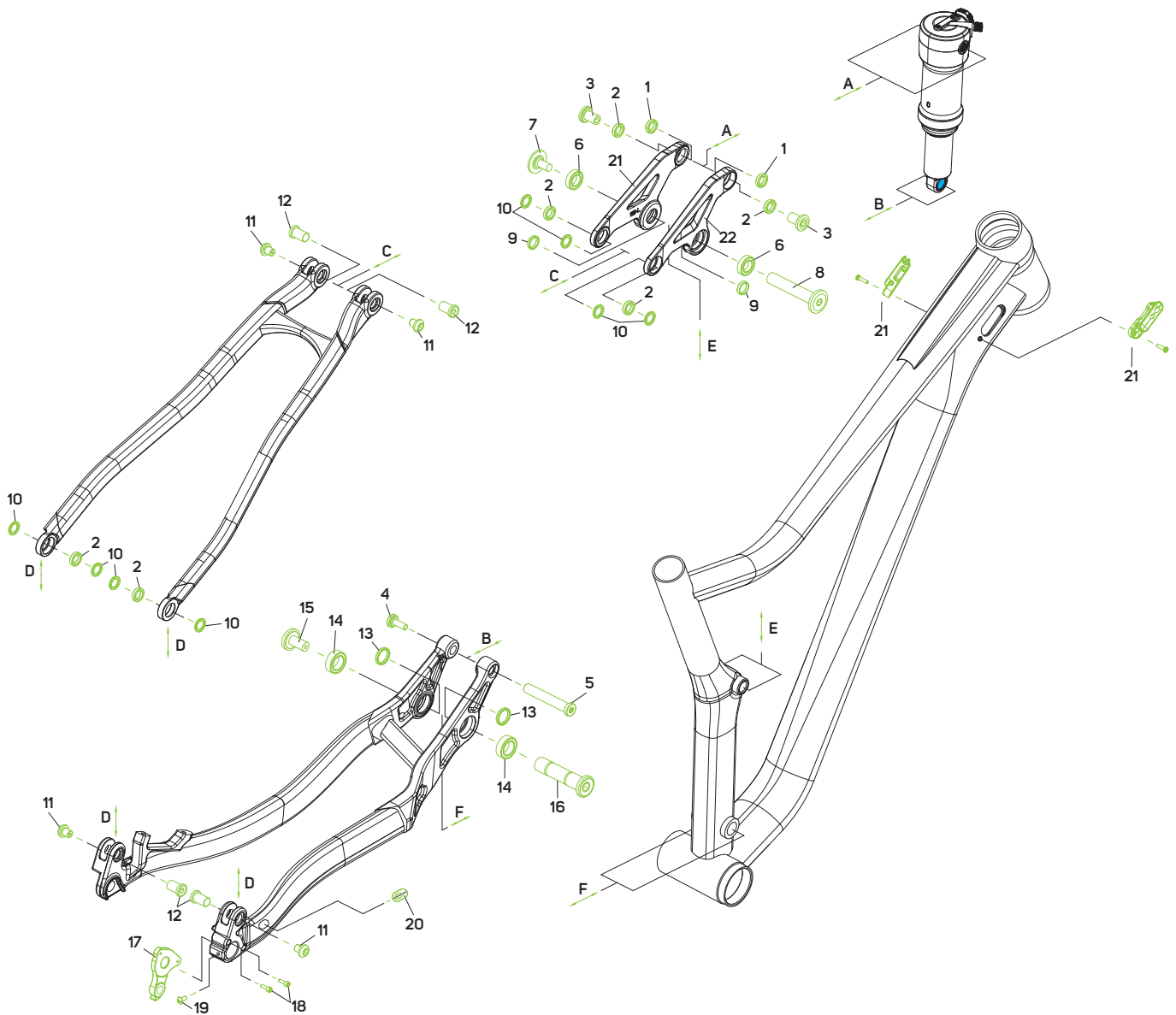
ONE-FORTY

	S	M	L	XL
FS frame size	S	M	L	XL
ST seat tube [mm]	410	435	475	515
TT top tube [mm]	572.4	596	619.7	643.4
HT head tube [mm]	95	110	125	140
HTA head tube angle [°]	66.3	66.3	66.3	66.3
STA seat tube angle [°]	75	75	75	75
CS chain stay length [mm]	435	435	435	435
BD bottom bracketed drop [mm]	21	21	21	21
FO fork length [mm]	542	542	542	542
S stack [mm]	587.4	601.1	614.9	628.6
R reach [mm]	415	435	455	475
WB wheel base [mm]	1144	1170	1194	1222

ONE-FORTY ALUMINIUM

MM	SHAFT EYELET		● BODY EYELET	
	PIN WIDTH	PIN ID	PIN WIDTH	PIN ID
185 x 55 mm	-	-	40 mm	10 mm

Recommended SAG: 30-35%



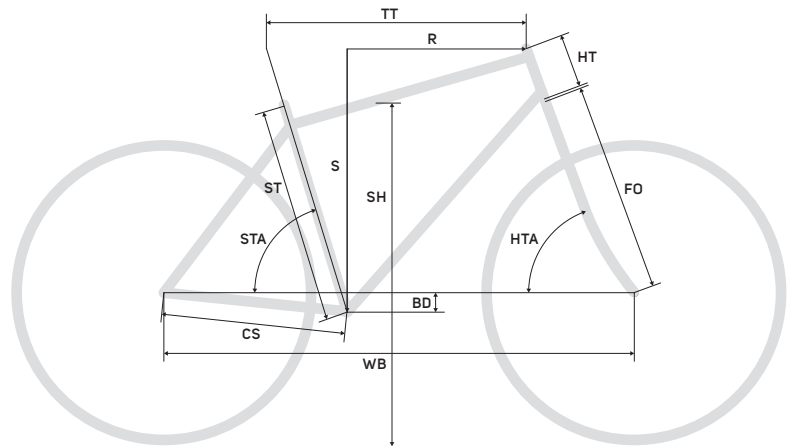
NO.	ITEM NO.	ITEM	DETAIL INFORMATION	PIECES	TORQUE NM
1	2294004440	WASHER		2	
2	2221002254	BEARING	6800V2RS 19D*10D*5W	6	
3	2300011274	SCREW		2	14
4	2300012480	SCREW		1	10
5	2300012491	BOLT		1	
6	2221002265	BEARING	6801V-2RS 21D*12D*5W6801V-2RS D*12D*5W	2	
7	2300011285	SCREW		1	14
8	2300011296	BOLT		1	
9	2294004439	WASHER		2	
10	2294004451	WASHER		8	
11	2300011252	SCREW		4	11

NO.	ITEM NO.	ITEM	DETAIL INFORMATION	PIECES	TORQUE NM
12	2300011263	BOLT		4	
13	2294001180	WASHER		2	
14	2221002191	BEARING	3802V-2RD 24D*15D*7W3802V-2RD D*15D*7W	2	
15	2300011304	SCREW		1	12
16	2300011315	BOLT		1	
17	2311004928	DROPOUT DH-053	see page 444	1	
18	2300010950	SCREW		2	4
19	2300005272	SCREW		1	5
20	2258003812	CABLE GUIDE		1	
21		SMART ENTRY			

ONE-SIXTY

FRAME	CFA	LITE
MAX. WHEELSIZE	27.5x2.6"	27.5x2.6"
MAX. CHAINRING	1x34T	1x34T
HEAD TUBE		
TAPERED 1-1/8" - 1.5"	•	•
HEADSET		
SEMI-INTEGRATED (44-55 MM)	•	•
BRAKE STANDARD		
DISC BRAKE ON CHAIN STAY	•	•
POST MOUNT 180MM REAR BRAKE	•	•
BB-STANDARD		
BB 92	•	•
SEATPOST DIAMETER		
30.9 MM	•	•
REAR DROPOUT-STANDARD		
THRU AXLE 12X148 MM	•	•
CABLE ROUTING		
INTERNAL SHIFTING CABLES	•	•
INTERNAL BRAKE CABLE	•	•
INTERNAL SEAT POST CABLE	•	•
ISCG 05		
	•	•
FD-STANDARD	1x specific	1x specific
FRAMEWEIGHTH	2400g in size M +/- 3%	3017g in size M +/- 3%
RD HANGER		DH-053

* Frame weight only! Without axle, frame protectors, saddle clamp, shock bolts, hanger, steerer cups and cable guides



ONE-SIXTY CFA

	S	M	L
FS frame size			
ST seat tube [mm]	400	430	470
TT top tube [mm]	563	597	632
HT head tube [mm]	100	110	125
HTA head tube angle [°]	65.3	65.3	65.3
STA seat tube angle [°]	75	75	75
CS chain stay length [mm]	430	430	430
BD bottom bracket drop [mm]	6	6	6
FO fork length [mm]	562	562	562
S stack [mm]	592	601	614
R reach [mm]	415	445	475
WB wheel base [mm]	1166	1201	1237

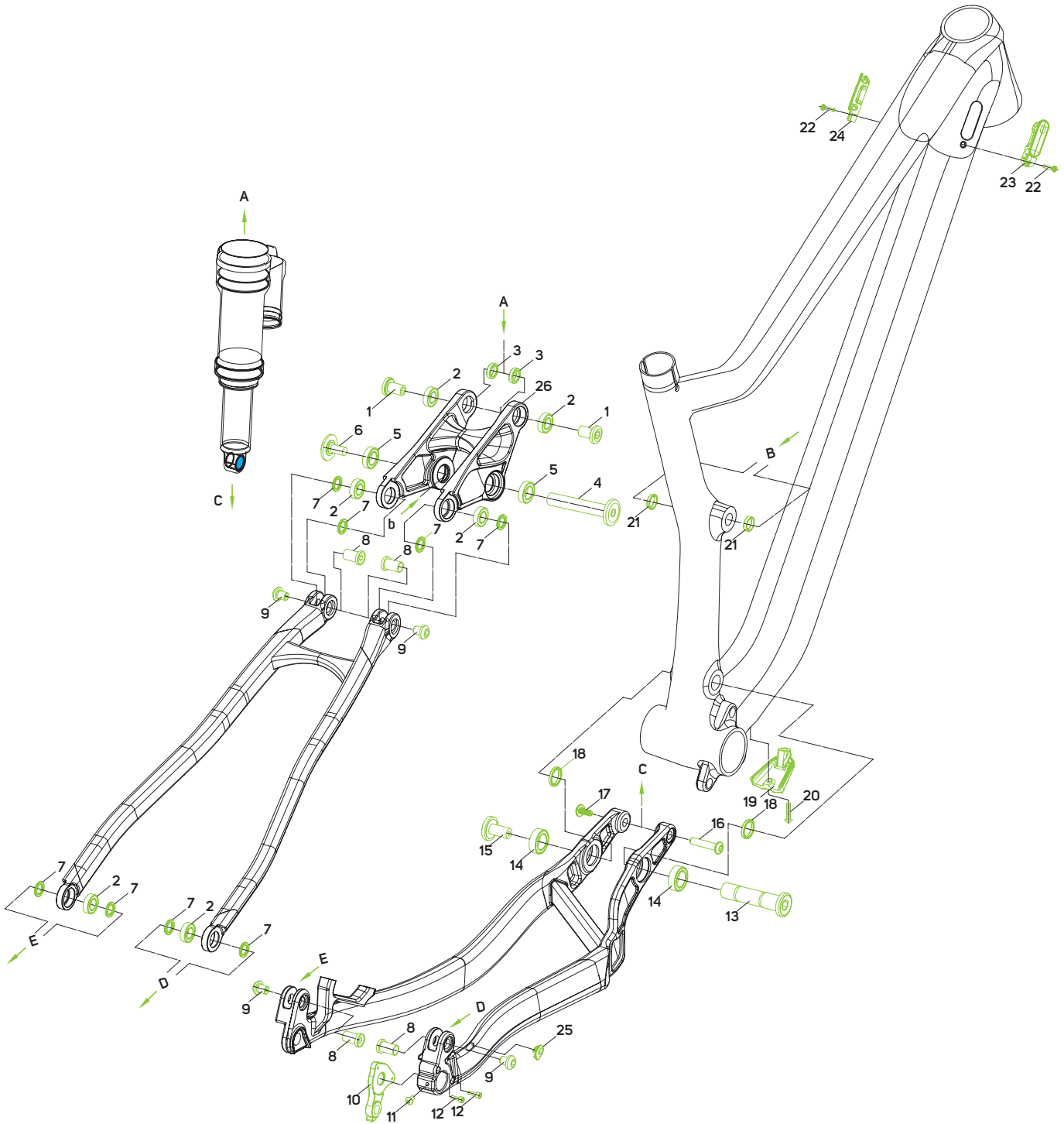
ONE-SIXTY LITE

	S	M	L	XL
S seat tube [mm]	400	430	470	490
TT top tube [mm]	559	591	630	648
HT head tube [mm]	105	110	125	130
HTA head tube angle [°]	65.3	65.3	65.3	65.3
STA seat tube angle [°]	75	75	75	75
CS chain stay length [mm]	430	430	430	430
BD bottom bracket drop [mm]	6	6	6	6
FO fork length [mm]	562	562	562	562
S stack [mm]	595	599	613	617
R reach [mm]	410	440	474	490
WB wheel base [mm]	1157	1189	1223	1247

ONE-SIXTY CARBON

MM	SHAFT EYELET PIN WIDTH	● PIN ID	BODY EYELET PIN WIDTH	PIN ID
205 x 62.5mm	-	-	40 mm	8 mm

Recommended SAG: 30-35%



NO.	ITEM NO.	ITEM	DETAIL INFORMATION	PIECES	TORQUE NM
1	2300011274	BOLT		2	14
2	2221002254	BEARING	6800V-2RS 19D*10D*5W	6	
3	2294004440	WASHER		2	
4	2300011296	BOLT		1	12
5	2221002209	BEARING	6801V-2RS 21D*12D*5W	2	
6	2300011285	SCREW		1	12
7	2294004451	WASHER		8	
8	2300011263	BOLT		4	12
9	2300011252	SCREW		4	12
10	2311004928	DROPOUT DH-053	see page 444	1	
11	2300005272	SCREW		1	5
12	2300010950	SCREW		2	5
13	2300011315	BOLT		1	14

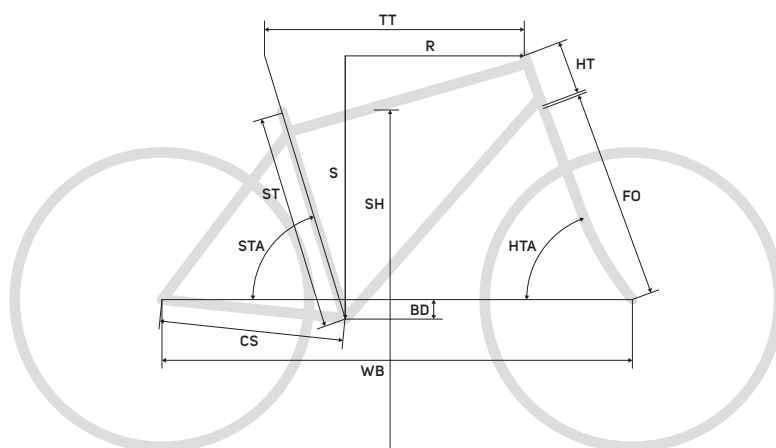
NO.	ITEM NO.	ITEM	DETAIL INFORMATION	PIECES	TORQUE NM
14	2221002191	BEARING	3802V-2RD 24D*15D*7W	2	
15	2300011304	SCREW		1	14
16	2300011564	BOLT		1	10
17	2300011575	SCREW		1	10
18	2294004462	WASHER		2	
19	2258003867	CABLE GUIDE		1	
20	2300009890	SCREW		1	5
21	2294004439	WASHER		2	
22	2300011412	SCREW		2	4
23		SMART ENTRY			
24		SMART ENTRY			
25	2258003812	CABLE GUIDE		1	
26	-	ROCKER		1	

FRAME INTERFACES / GEOMETRIES

MATTS

FRAME	MATTS TFS	MATTS SPEED
MAX. WHEELSIZE	27.5x2.25"	26x2.25" / 27.5x2.25"
HEAD TUBE		
1-1/8"-1-1/8"	•	•
HEADSET		
SEMI-INTEGRATED (44-44 MM)	•	•
BRAKE STANDARD		
DISC BRAKE ON SEAT STAY	•	•
POST MOUNT 160 MM REAR BRAKE	•	
RIM BRAKE V-BRAKE		•
INTERNATIONAL STANDARD REAR BRAKE		•
BB-STANDARD		
BSA (68 MM)	•	•
SEATPOST DIAMETER		
27.2 MM	•	•
REAR DROPOUT-STANDARD		
QUICK RELEASE 9X135 MM	•	•
CABLE ROUTING		
INTERNAL SHIFTING CABLES	•	
EQUIPMENT OPTIONS		
HEBIE 40 MM	•	•
CARRIER MOUNT FRAME	•	•
FENDER MOUNT FRAME	•	•
FD-STANDARD		
CLAMP (DIAMETER: 31,8 MM)	•	•
DUAL PULL	•	•
FRAMEWEIGHT	1650g size M +/- 3%	1550g size M +/- 3%
FORKWEIGHT		
SIZES	XS(13.5), S(15), M(17), L(18.5)	XS(13.5), S(15), M(17), L(18.5)
RD HANGER		DH-013F

* Frame weight only! Without axle, frame protectors, saddle clamp, hanger, steerer cups and cable guides



FS = ST frame size = seat tube [mm] TT top tube [mm] HT head tube [mm]
 HTA head tube angle [°] STA seat tube angle [°] CS chain stay length [mm] BD bottom bracket drop [mm]
 FO fork length [mm] S stack [mm] R reach [mm] WB wheel base [mm]

MATTS TFS

	XS	S	M	L
FS				
ST	343	381	432	470
TT	550	560	575	585
HT	95	100	105	115
HTA	69.5	69.5	70	70
STA	74.5	74.5	74.5	74.5
CS	430	430	430	430
BD	63	63	63	63
FO	493	493	493	493
S	600	605	612	621
R	384	392	405	413
WB	1051	1062	1072	1083

MATTS SPEED 7.

	XS	S	M	L
FS				
ST	343	381	432	470
TT	536	546	561	571
HT	95	100	110	120
HTA	69.5	69.5	70	70
STA	74.5	74.5	74.5	74.5
CS	430	430	430	430
BD	65	65	65	65
FO	493	493	493	493
S	602	607	618	628
R	372	380	392	399
WB	1039	1050	1060	1071

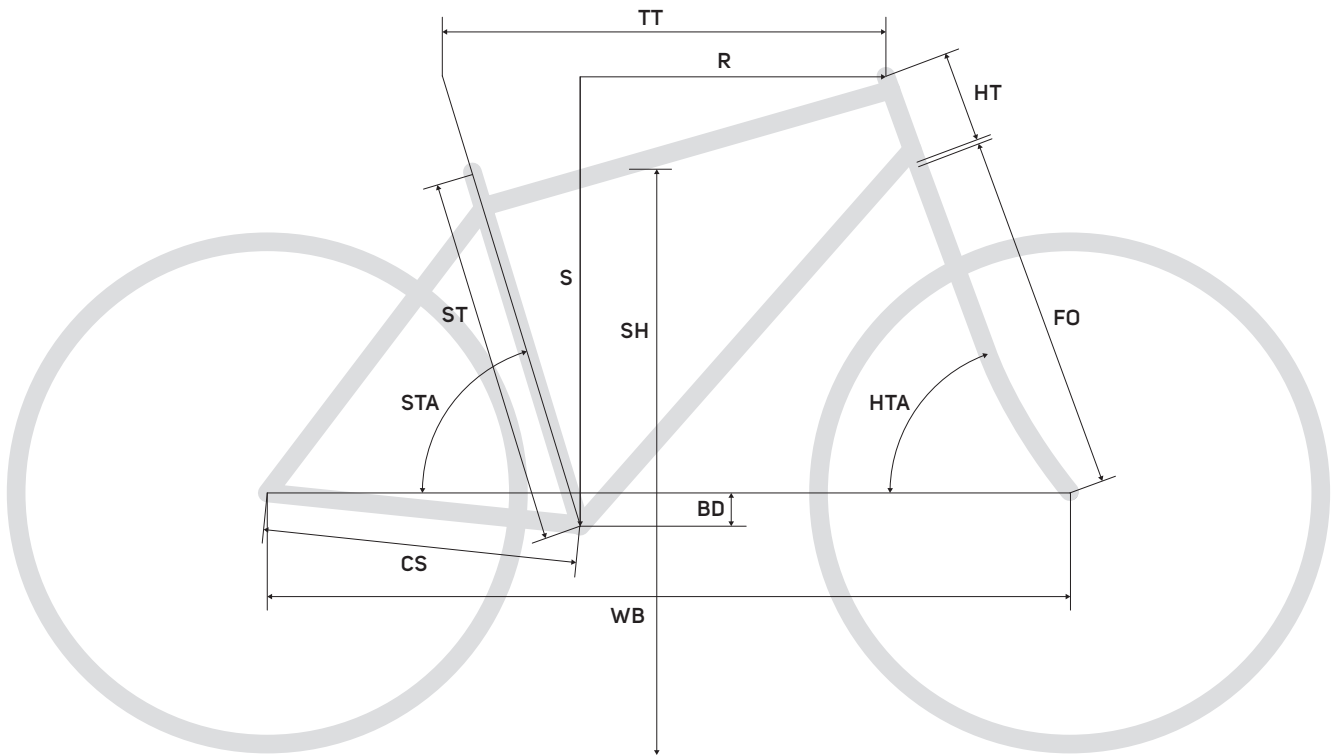
MATTS SPEED-V

	XS	S	M
FS			
ST	343	381	432
TT	540	550	560
HT	115	125	135
HTA	69.5	69.5	70
STA	73.5	73.5	73
CS	425	425	425
BD	55	55	55
FO	475	475	475
S	594	604	615
R	364	371	372
WB	1028	1038	1038

MATTS J

FRAME	MISSION J ROAD LITE	MATTS J.24+	MATTS J.20+	MATTS J.24 (RACE)	MATTS J.20 (RACE)
MAX. WHEELSIZE	26x1.5"	24x2.4"	20x2.4"	24x2.0"	20x2.0"
HEAD TUBE					
1-1/8"-1.5"	•				
1-1/8"-1-1/8"		•	•	•	•
HEADSET					
SEMI-INTEGRATED (44-55 MM)	•				
SEMI-INTEGRATED (44-44 MM)		•	•		
EXTERNAL-CUP (34-34 MM)				•	•
BRAKE STANDARD					
DISC BRAKE ON CHAIN STAY	•				
DISC BRAKE ON SEAT STAY		•	•		
POST MOUNT 160 MM REAR BRAKE	•				
RIMBRAKE V-BRAKE				•	•
BB-STANDARD					
BSA (68 MM)	•	•	•	•	•
SEATPOST DIAMETER					
27.2 MM	•	•	•	•	•
REAR DROPOUT-STANDARD					
QUICK RELEASE 9X135 MM	•	•	•	•	•
EQUIPMENT OPTIONS					
KICKSTAND (CENTER MOUNT)		•	•	•	•
CARRIER MOUNT FRAME	•	•	•	•	•
FENDER MOUNT FRAME	•	•	•	•	•
FD-STANDARD					
		1x specific	1x specific		
CLAMP (DIAMETER: 31,8 MM)	•			•	•
DOWN PULL	•			•	•
FRAME WEIGHT	1580g +/- 3%				
FORK WEIGHT	850g +/- 3%				
SIZE	4XS(39cm)	27,5cm	24cm	29cm	26cm
RD HANGER	8317-0000P BLK	DH-013F	DH-013F	LI-C091	LI-C091

* Frame weight only! Without axle, frame protectors, saddle clamp, hanger, steerer cups and cable guides



MATTS J+

TS tire size	24+	20+
FS frame size		
ST seat tube [mm]	275	240
TT top tube [mm]	500	445
HT head tube [mm]	120	120
HTA head tube angle [°]	68	68
STA seat tube angle [°]	72	72
CS chain stay length [mm]	410	360
BD bottom bracketed drop [mm]	30	20
FO fork length [mm]	415	340
S stack [mm]	509	432,5
R reach [mm]	334,5	304,5
WB wheel base [mm]	985,5	871,5

MATTS J

24"	20"	16"	12"
11,5"	10"	9"	7"
289	260	235	180
505	460	400	300
120	110	100	80
69	69	70	70,5
72	72	72,5	73
410	390	340	241
29	15	8	8
390	359	236	199
492	439	324	259
345	318	298	221
999	911	790	583

FRAME INTERFACES / GEOMETRIES

REACTO

FRAME	CF4	CF4 DISC	CF2	CF2 DISC	LITE
MAX. WHEELSIZE	700x25C	700x25C	700x25C	700x25C	700x25C
HEAD TUBE					
TAPERED 1-1/8" - 1.5"			•	•	•
TAPERED 1-1/8" - 1-1/4"	•	•			
HEADSET					
INTEGRATED	•	•	•	•	
SEMI-INTEGRATED (44-55 MM)					•
BRAKE STANDARD					
DISC BRAKE ON CHAIN STAY		•		•	
FLAT MOUNT 140 MM W/O COOLER REAR BRAKE		•		•	
FLAT MOUNT 160 MM W COOLER REAR BRAKE		•		•	
RIMBRAKE DIREKT MOUNT	•		•		
RIMBRAKE STANDARD					•
BB-STANDARD					
BSA (68 MM)					•
BB386	•	•	•	•	
SEATPOST DIAMETER					
OTHERS	•	•	•	•	•
REAR DROPOUT-STANDARD					
QUICK RELEASE 9X130 MM	•		•		•
THRU AXLE 12X142 MM		•		•	
FRONT AXLE STANDARD					
QUICK RELEASE 9X100 MM	•		•		•
THRU AXLE 12X100 MM		•		•	
CABLE ROUTING					
INTERNAL SHIFTING CABLES	•	•	•	•	•
INTERNAL BRAKE CABLE	•	•	•	•	•
DI2-READY					
	•	•	•	•	
FD-STANDARD					
BRAZED ON	•	•	•	•	•
FRAMEWEIGHT*	1050g	950g	1150g	1150g	1870g
FORKWEIGHT	450g	450g	450g	450g	450g
SIZES	XS(47), S(50), SM(52), ML(54), L(56), XL(59)	XS(47), S(50), SM(52), ML(54), L(56), XL(59)	XXS(44), XS(47), S(50), SM(52), ML(54), L(56), XL(59)	XXS(44), XS(47), S(50), SM(52), ML(54), L(56), XL(59)	XS(47), S(50), SM(52), ML(54), L(56), XL(59)
HANDLEBAR WIDTH	XS: 380 mm S: 400 mm, SM-ML: 420 mm L-XL: 440 mm	XS: 380 mm S: 400 mm, SM-ML: 420 mm L-XL: 440 mm	XXS-XS: 380 mm S: 400 mm, SM-ML: 420 mm L-XL: 440 mm	XXS-XS: 380 mm S: 400 mm, SM-ML: 420 mm L-XL: 440 mm	XS: 380 mm S: 400 mm, SM-ML: 420 mm L-XL: 440 mm
HANDLEBAR RISE	: 6°	: 6°	: 5°	: 5°	: 5°
ONE PIECE COCKPIT	yes	yes	no	no	no
RD HANGER	E02-0013	DH-054	E02-0013	DH-054	8317-0000P BLK

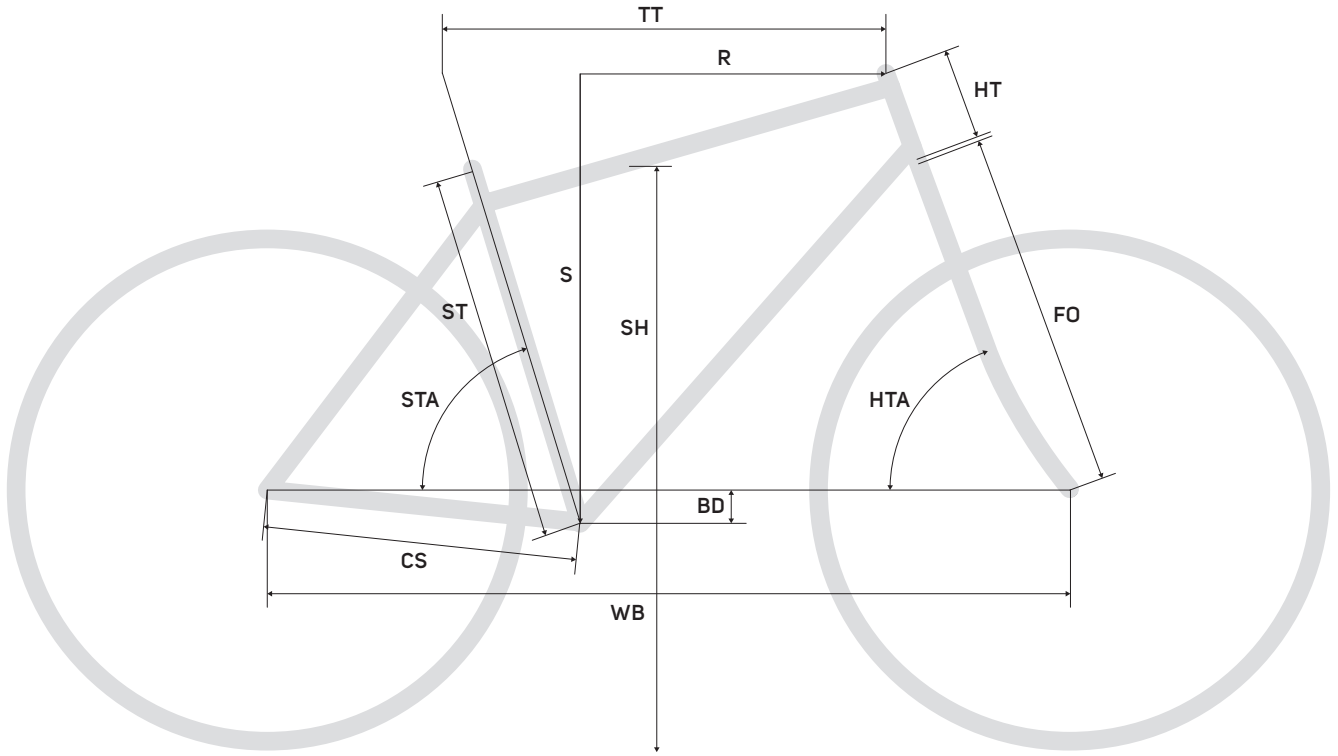
* Frame weight only at size M/L (+/- 3%): Without axle, frame protectors, saddle clamp, hanger, steerer cups and cable guides

REACTO DISC CF4

FS	XS(47)	S(50)	S/M(52)	M/L(54)	L(56)	XL(59)
ST	470	500	520	540	560	590
TT	520	535	545	560	575	590
HT	116	126	142	157	172	192
HTA	71.5	72.5	73.5	73.5	73.5	74
STA	74.5	74	74	73.5	73	73
CS	408	408	408	408	408	408
BD	70	70	66	66	66	66
FO	368	368	368	368	368	368
S	516	529	543	557	572	593
R	377	383	389	395	400	409
WB	975	978	980	990	1000	1009

REACTO DISC CF2

FS	XXS(44)	XS(47)	S(50)	S/M(52)	M/L(54)	L(56)	XL(59)
ST	440	470	500	520	540	560	590
TT	515	520	535	545	560	575	590
HT	122	132	142	162	177	197	217
HTA	70	71	71	72.5	73	73	73.5
STA	74.5	74.5	74	74	73.5	73	73
CS	408	408	408	408	408	408	408
BD	70	70	70	66	66	66	66
FO	368	368	368	368	368	368	368
S	516	529	539	558	575	593	616
R	372	373	381	385	390	394	402
WB	984	981	991	990	995	1005	1014



FS = ST frame size = seat tube [mm] TT top tube [mm] HT head tube [mm] HTA head tube angle [°]
 STA seat tube angle [°] CS chain stay length [mm] BD bottom bracket drop [mm] FO fork length [mm]
 S stack [mm] R reach [mm] WB wheel base [mm]

SCULTURA

FRAME	CF4	CF4 DISC	CF2	CF2 DISC	LITE	LITE DISC	LITE DISC BSA
MAX. WHEELSIZE	700Cx25C	700Cx28C	700Cx25C	700Cx28C	700Cx25C	700Cx28C	700Cx28C
HEAD TUBE							
TAPERED 1-1/8" - 1.5"			•	•	•	•	•
TAPERED 1-1/8" - 1-1/4"	•	•					
HEADSET							
INTEGRATED	•	•					
SEMI-INTEGRATED (44-55 MM)			•	•	•	•	•
BRAKE STANDARD							
DISC BRAKE ON CHAIN STAY		•		•		•	•
FLAT MOUNT 140 MM W COOLER ONLY REAR BRAKE		•		•		•	•
RIMBRAKE STANDARD	•		•		•		
BB-STANDARD							
BB 86			•	•	•	•	
BB386	•	•					
BSA (68 MM)							•
SEATPOST DIAMETER							
27.2 MM	•	•	•	•	•	•	•
REAR DROPOUT-STANDARD							
QUICK RELEASE 9X130 MM	•		•		•		•
THRU AXLE 12X142 MM		•		•		•	
CABLE ROUTING							
INTERNAL SHIFTING CABLES	•	•	•	•	•	•	•
INTERNAL BRAKE CABLE	•	•	•	•	•	•	•
DI2-READY							
	•	•	•	•			
FD-STANDARD							
BRAZED ON	•	•	•	•	•	•	•
FRAMEWEIGHT*	750g	860g	1100g	1150g	1530g	1650g	1650g
FORKWEIGHT	310g	400g	420g	420g	420g	420g	420g
SIZES	XXS(44), XS(47), S(50), SM(52), ML(54), L(56), XL(59)		4XS(38), 3XS(41), XXS(44), XS(47), S(50), SM(52), ML(54), L(56), XL(59)	XXS(44), XS(47), S(50), SM(52), ML(54), L(56), XL(59)	4XS(38), 3XS(41), XXS(44), XS(47), S(50), SM(52), ML(54), L(56), XL(59)		XXS(44), XS(47), S(50), SM(52), ML(54), L(56), XL(59)
HANDLEBAR WIDTH	XXS-XS: 380 mm, S: 400 mm, SM-ML: 420 mm, L-XL: 440 mm		4XS-3XS: 360 mm, XXS-XS: 380 mm, S: 400 mm, SM-ML: 420 mm, L-XL: 440 mm	XXS-XS: 380 mm, S: 400 mm, SM-ML: 420 mm, L-XL: 440 mm	4XS-3XS: 360 mm, XXS-XS: 380 mm, S: 400 mm, SM-ML: 420 mm, L-XL: 440 mm		XXS-XS: 380 mm, S: 400 mm, SM-ML: 420 mm, L-XL: 440 mm
HANDLEBAR RISE	: 6°	: 6°	: 6°	: 6°	: 6°	: 6°	: 6°
RD HANGER	E02-0013	DH-054	E02-0013	DH-054	8317-0000P BLK	DH-054	8317-0000P BLK

* Frame weight only at size M/L (+/- 3%): Without axle, frame protectors, saddle clamp, hanger, steerer cups and cable guides

SCULTURA DISC CF4

FS	XXS(44)	XS(47)	S(50)	S/M(52)	M/L(54)	L(56)	XL(59)
ST	440	470	500	520	540	560	590
TT	510	520	535	545	560	575	590
HT	105	115	125	140	155	170	190
HTA	71	71,5	72,5	73,5	73,5	73,5	74
STA	74,5	74,5	74	74	73,5	73	73
CS	408	408	408	408	408	408	408
BD	66	66	66	66	66	66	66
FO	370	370	370	370	370	370	370
S	500	512	524	543	557	571	592
R	371	377	383	388	394	399	408
WB	974	980	982	983	993	1003	1012

SCULTURA DISC CF2

FS	XXS(44)	XS(47)	S(50)	S/M(52)	M/L(54)	L(56)	XL(59)
ST	440	470	500	520	540	560	590
TT	515	520	530	545	560	575	590
HT	120	130	140	150	170	190	215
HTA	71	71	72	73	73	73	73,5
STA	75	74,5	74	74	73,5	73	73
CS	408	408	408	408	408	408	408
BD	66	66	66	66	66	66	66
FO	375	375	375	375	375	375	375
S	519	529	542	555	574	593	619
R	376	373	375	386	390	394	401
WB	982	983	979	985	998	1005	1014

SCULTURA DISC LITE

FS	XXS(44)	XS(47)	S(50)	S/M(52)	M/L(54)	L(56)	XL(59)
ST	440	470	500	520	540	560	590
TT	515	520	530	545	560	575	590
HT	120	130	140	150	170	190	215
HTA	71	71	72	73	73	73	73,5
STA	75	74,5	74	74	73,5	73	73
CS	408	408	408	408	408	408	408
BD	66	66	66	66	66	66	66
FO	375	375	375	375	375	375	375
S	519	529	542	555	574	593	619
R	376	373	384	386	390	394	401
WB	982	983	979	985	995	1005	1014

SCULTURA DISC CF4

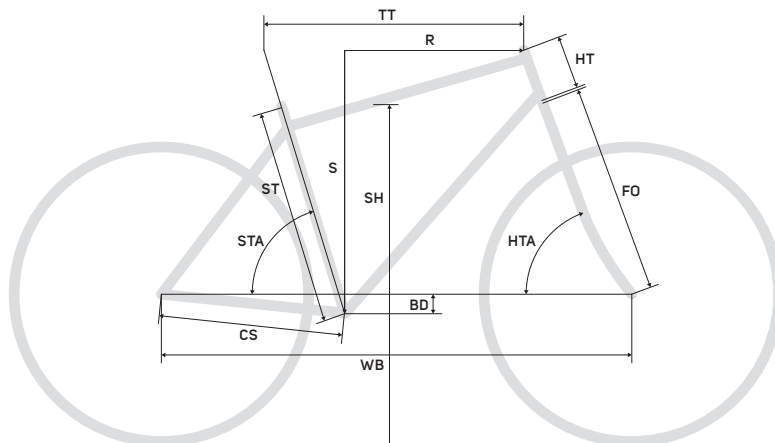
FS	XXS(44)	XS(47)	S(50)	S/M(52)	M/L(54)	L(56)	XL(59)
ST	440	470	500	520	540	560	590
TT	510	520	535	545	560	575	590
HT	105	115	125	140	155	170	190
HTA	71	71,5	72,5	73,5	73,5	73,5	74
STA	74,5	74,5	74	74	73,5	73	73
CS	400	400	400	400	400	400	400
BD	66	66	66	66	66	66	66
FO	370	370	370	370	370	370	370
S	500	512	524	543	557	571	592
R	371	377	383	388	394	399	408
WB	963	969	971	972	982	991	1001

SCULTURA CF2

FS	4XS(38)	3XS(41)	XXS(44)	XS(47)	S(50)	S/M(52)	M/L(54)	L(56)	XL(59)
ST	380	410	440	470	500	520	540	560	590
TT	490	500	515	520	530	545	560	575	590
HT	95	100	120	130	140	150	170	190	215
HTA	70	70,5	71	71	72	73	73	73	73,5
STA	75	75	75	74,5	74	74	73,5	73	73
CS	408	408	408	408	408	408	408	408	408
BD	66	66	66	66	66	66	66	66	66
FO	374	374	374	374	374	374	374	374	374
S	493	499	519	529	542	555	574	593	619
R	358	366	367	373	375	386	390	394	401
WB	973	979	982	983	979	985	995	1005	1014

SCULTURA LITE

FS	XXS(44)	XS(47)	S(50)	S/M(52)	M/L(54)	L(56)	XL(59)
ST	440	470	500	520	540	560	590
TT	515	520	530	545	560	575	590
HT	120	130	140	150	170	190	215
HTA	71	71	72	73	73	73	73,5
STA	75	74,5	74	74	73,5	73	73
CS	408	408	408	408	408	408	408
BD	66	66	66	66	66	66	66
FO	375	375	375	375	375	375	375
S	519	529	542	555	574	593	619
R	376	373	384	386	390	394	401
WB	982	983	979	985	995	1005	1014



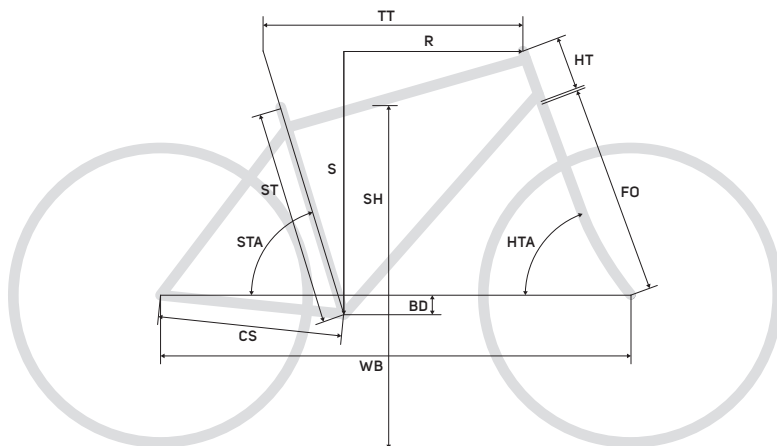
FS = ST frame size = seat tube [mm] TT top tube [mm] HT head tube [mm]
 HTA head tube angle [°] STA seat tube angle [°] CS chain stay length [mm] BD bottom bracket drop [mm]
 FO fork length [mm] S stack [mm] R reach [mm] WB wheel base [mm]

SPEEDER

FRAME	LITE II
MAX. WHEELSIZE	700x37C 700x32C with fender
HEAD TUBE	
TAPERED 1-1/8" - 1.5"	•
HEADSET	
SEMI-INTEGRATED (44-55 MM)	•
BRAKE STANDARD	
DISC BRAKE ON CHAIN STAY	•
POST MOUNT 160 MM REAR BRAKE	•
BB-STANDARD	
BSA (68 MM)	•
SEATPOST DIAMETER	
30,9 MM	•
REAR DROPOUT-STANDARD	
QUICK RELEASE 9X135 MM	•
FRONT AXLE STANDARD	
QUICK RELEASE 9X100 MM	•

FRAME	LITE II
CABLE ROUTING	
INTERNAL SHIFTING CABLES	•
INTERNAL BRAKE CABLE	•
EQUIPMENT OPTIONS	
CARRIER MOUNT FRAME	•
CARRIER MOUNT FORK	•
FENDER MOUNT FRAME	•
FENDER MOUNT FORK	•
FD-STANDARD	
CLAMP (DIAMETER: 34,9 MM)	•
DOWN PULL	•
FRAMEWEIGHT*	1850g
FORKWEIGHT	Carbon: 500g
SIZES	XS(47), S(50), SM(52), ML(54), L(56), XL(59)
RD HANGER	8317-0000P BLK

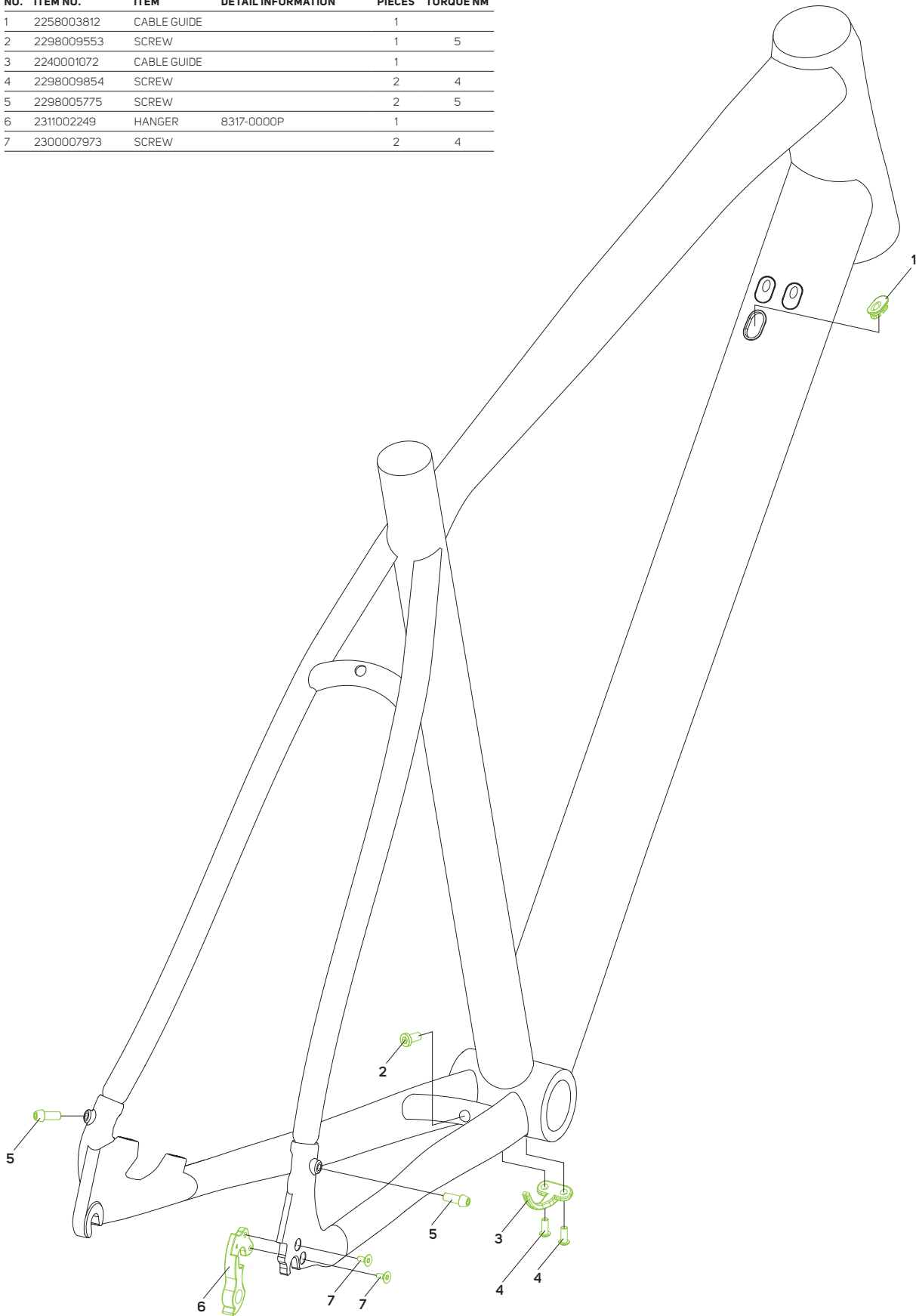
* Frame weight only at size S/M (+/- 3%): Without axle, frame protectors, saddle clamp, hanger, steerer cups and cable guides



SPEEDER LITE II						
FS frame size	XS	S	S/M	M/L	L	XL
ST seat tube [mm]	470	500	520	540	560	590
TT top tube [mm]	555	561	571	583	597	610
HT head tube [mm]	150	160	170	190	215	240
HTA head tube angle [°]	70	70,5	71	71,5	72	72
STA seat tube angle [°]	73,5	73,5	73,5	73,5	73,5	73,5
CS chain stay length [mm]	438	438	438	438	438	438
BD bottom bracket drop [mm]	65	65	65	65	65	65
FO fork length [mm]	395	395	395	395	395	395
S stack [mm]	561,5	573	584,5	605,5	631	655
R reach [mm]	388,5	391,5	398	404	410	416
WB wheel base [mm]	1050,5	1052,5	1057,5	1065,5	1074,5	1088
CRANK [mm]	170	170	172,5	172,5	175	175

SPEEDER LITE II

NO.	ITEM NO.	ITEM	DETAIL INFORMATION	PIECES	TORQUE NM
1	2258003812	CABLE GUIDE		1	
2	2298009553	SCREW		1	5
3	2240001072	CABLE GUIDE		1	
4	2298009854	SCREW		2	4
5	2298005775	SCREW		2	5
6	2311002249	HANGER	8317-0000P	1	
7	2300007973	SCREW		2	4

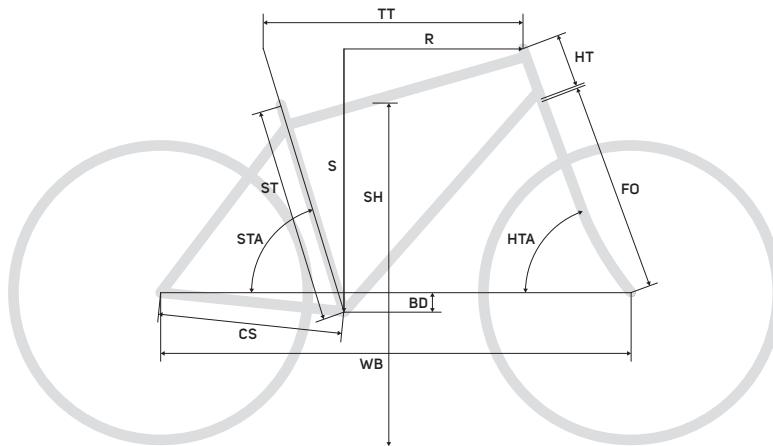


MISSION CX

FRAME	CF3	LITE
MAX. WHEELSIZE	700x35C	700x35C
HEAD TUBE		
TAPERED 1-1/8 - 1.5	•	•
HEADSET		
SEMI-INTEGRATED		•
INTEGRATED	•	
BRAKE STANDARD		
DISC BRAKE ON CHAIN STAY	•	•
FLATMOUNT	•	•
BB-STANDARD		
BB 86	•	•
BB386		
SEATPOST DIAMETER		
27.2MM	•	•
REAR DROPOUT-STANDARD		
E-THRU AXLE 12X142	•	•
FRONT AXLE STANDARD		
12X100 MM	•	•

	CF3	LITE
CABLE ROUTING		
INTERNAL SHIFTING CABLES	•	•
INTERNAL BRAKE CABLE	•	•
DI2-READY		
	•	•
EQUIPMENT OPTIONS		
FENDER MOUNT FRAME	•	•
FENDER MOUNT FORK	•	•
FRONT LIGHT MOUNT ON CROWN	•	•
FD-STANDARD		
BRAZED ON	•	•
FRAMEWEIGHT*		
	885g size M +/- 3%	1600g size M +/- 3%
FORKWEIGHT		
	400g	400g
SIZES		
	XS(44), S(47), M(50), L(53), XL(56)	XS(44), S(47), M(50), L(53), XL(56)
HANDLEBAR WIDTH		
	XS: 380 mm, S: 400 mm, M:420 L/XL: 440 mm	XS: 380 mm, S: 400 mm, M:420 L/XL: 440 mm

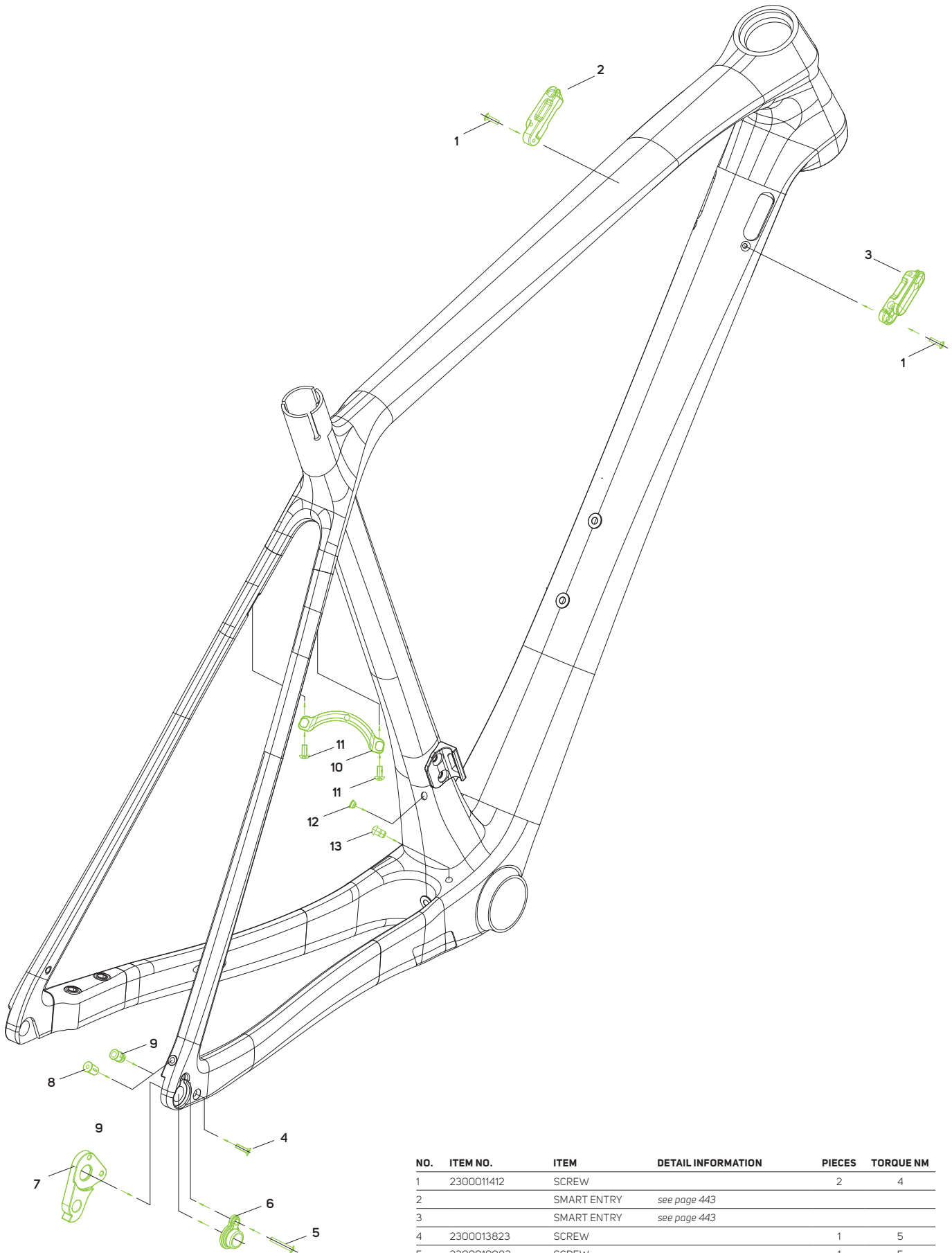
* Frame weight only! Without axle, frame protectors, saddle clamp, hanger, steerer cups and cable guides



MISSION CX CF2					
	XS	S	M	L	XL
FS frame size					
ST seat tube [mm]	470	500	530	560	590
TT top tube [mm]	520	535	550	565	580
HT head tube [mm]	90	109	125	144	163
HTA head tube angle [°]	70,75	71	71,75	72	72,25
STA seat tube angle [°]	74	74	74	74	74
CS chain stay length [mm]	423	423	423	423	423
BD bottom bracketed drop [mm]	68	68	68	68	68
FO fork length [mm]	400	400	400	400	400
S stack [mm]	514	533	552,5	571,5	590,5
R reach [mm]	372,5	382	391,5	401	410,5
WB wheel base [mm]	999	1012,5	1016	1029	1042

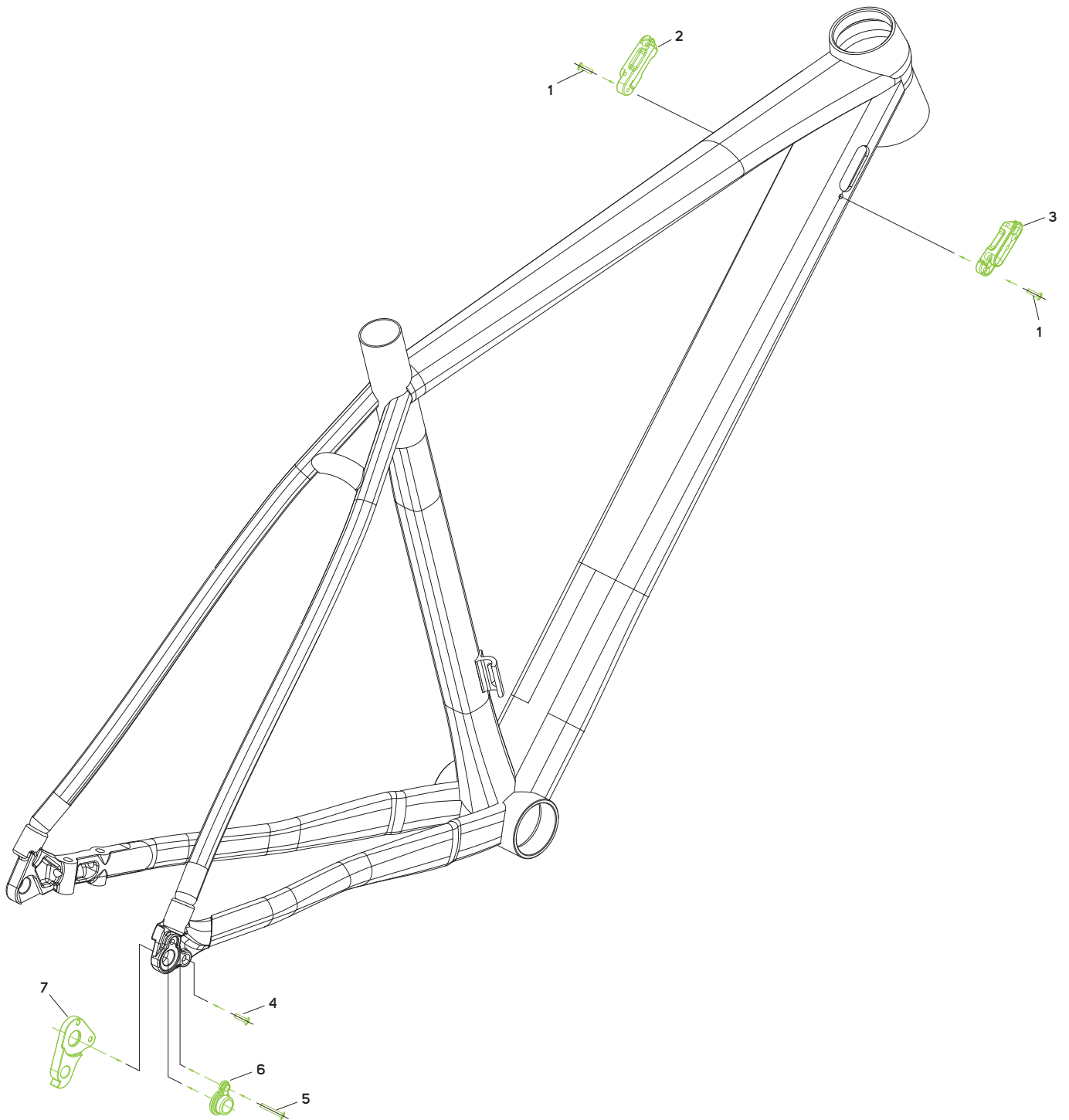
MISSION CX LITE					
	XS	S	M	L	XL
FS frame size					
ST seat tube [mm]	470	500	530	560	590
TT top tube [mm]	520	535	550	565	580
HT head tube [mm]	90	109	125	144	163
HTA head tube angle [°]	70,75	71	71,75	72	72,25
STA seat tube angle [°]	74	74	74	74	74
CS chain stay length [mm]	427	427	427	427	427
BD bottom bracketed drop [mm]	68	68	68	68	68
FO fork length [mm]	400	400	400	400	400
S stack [mm]	514	533	552,5	571,5	590,5
R reach [mm]	372,5	382	391,5	401	410,5
WB wheel base [mm]	1003	1016,5	1020	1033	1046

MISSION CX CARBON



NO.	ITEM NO.	ITEM	DETAIL INFORMATION	PIECES	TORQUE NM
1	2300011412	SCREW		2	4
2		SMART ENTRY	see page 443		
3		SMART ENTRY	see page 443		
4	2300013823	SCREW		1	5
5	2300010983	SCREW		1	5
6	2302002031	NUT		1	
7	2311004984	DROPOUT DH-054	see page 444	1	
8	2143003387	RUBBER PLUG	FOR DI2 VERSION	1	
9	2143003376	RUBBER PLUG	FOR MECHANICAL VERSION	1	
10	2030000310	BRIDGE	NEEDED FOR FENDER MOUNT	1	
11	2300012479	SCREW		2	5
12	2143003514	RUBBER PLUG		1	
13	2143003310	RUBBER PLUG			

MISSION CX ALUMINIUM

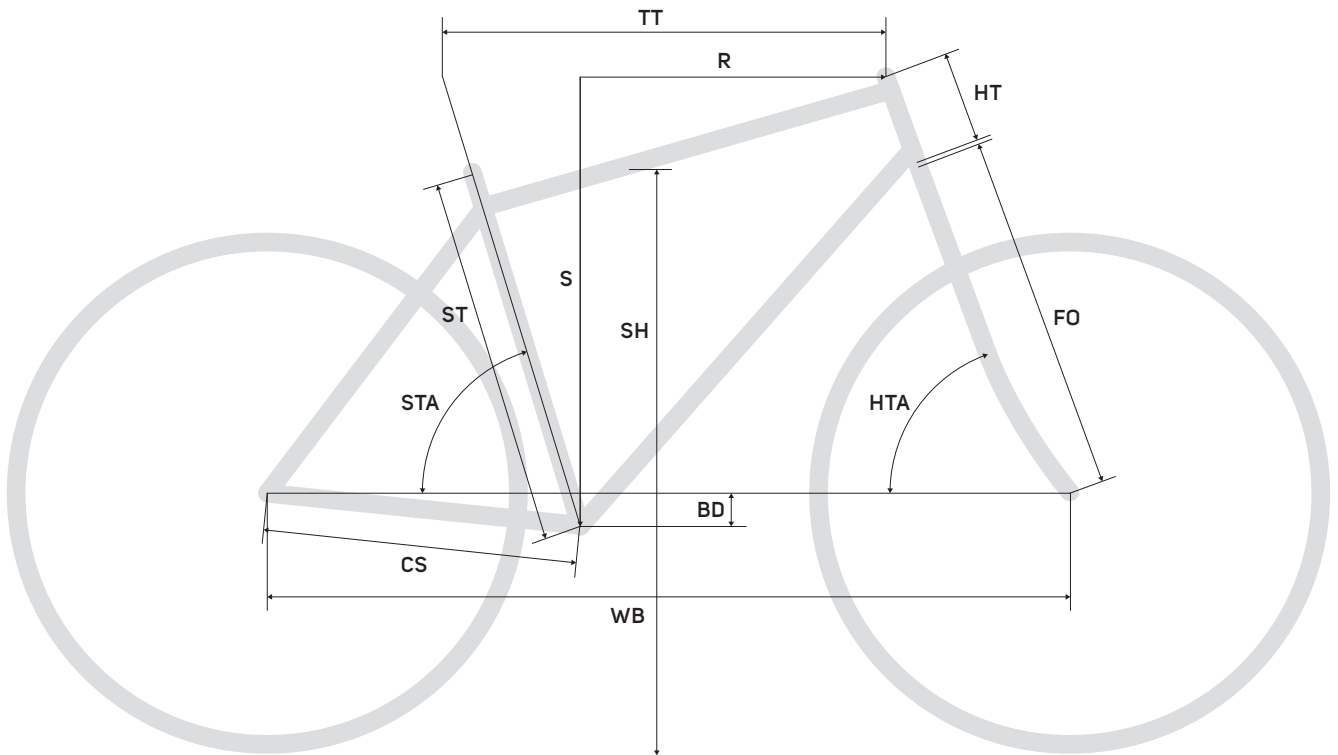


NO.	ITEM NO.	ITEM	DETAIL INFORMATION	PIECES	TORQUE NM
1	2300011412	SCREW		2	4
2		SMART ENTRY	see page 443		
3		SMART ENTRY	see page 443		
4	2300011586	SCREW		1	5
5	2300011746	SCREW		1	5
6	2302002031	NUT		1	
7	2311004984	DROPOUT DH-054	see page 444	1	

CROSSWAY

FRAME	TFS	SPEED	DT
MAX. WHEELSIZE	700x50C	700x42C	700x42C
HEAD TUBE			
TAPERED 1-1/8" - 1.5"	•		
1-1/8" - 1-1/8"		•	•
HEADSET			
SEMI-INTEGRATED (44-55 MM)	•		
UPPER EXTERNAL-CUP (34 MM)	•		
LOWER SEMI-INTEGRATED (44 MM)		•	•
EXTERNAL CUP (34-34 MM)			•
BRAKE STANDARD			
DISC BRAKE ON CHAIN STAY	•		
DISC BRAKE ON SEAT STAY		•	•
POST MOUNT 160 MM REAR BRAKE	•		
INTERNATIONAL STANDARD REAR BRAKE		•	•
RIMBRAKE V-BRAKE		•	•
BB-STANDARD			
BSA (73 MM)	•		
BSA (68 MM)		•	•
SEATPOST DIAMETER			
27.2 MM		•	•
30.9 MM	•		
REAR DROPOUT-STANDARD			
QUICK RELEASE 9X135 MM	•	•	•
CABLE ROUTING			
SEMI INTEGRATED	•		
EXTERNAL		•	•
EQUIPMENT OPTIONS			
HEBIE 40 MM	•	•	
KICKSTAND (CENTER MOUNT)			•
CARRIER MOUNT FRAME	•	•	•
FENDER MOUNT FRAME	•	•	•
FENDER MOUNT FORK	•	•	•
FD-STANDARD			
CLAMP (DIAMETER: 31,8 MM)		•	•
CLAMP (DIAMETER: 34,9 MM)	•		
FRAMEWEIGHT	2000g size M +/- 3%	1850g size M/L +/- 3%	1980g size M +/- 3%
SIZES GENT	XXS(39), XS(43), S(47), M(51), L(55), XL(59)	XXS(41), XS(44), S(46), SM(48), ML(52), L(55), XL(58), XXL(61)	
SIZES LADY	XXS(39), XS(43), S(47), M(51), L(55)	XS(42), S(46), M(50), L(54), XL(57)	XS(42), S(46), M(50), L(54), XL(57)
RD HANGER	DH-013F	A-HG011	DH-10 (A-HG0009)

* Frame weight only! Without axle, frame protectors, saddle clamp, hanger, steerer cups and cable guides



CROSSWAY TFS

FS frame size	XXS(39)	XS(43)	S(47)	M(51)	L(55)	XL(59)
ST seat tube [mm]	390	430	470	510	550	590
TT top tube [mm]	560	565	580	590	610	630
HT head tube [mm]	130	130	140	155	175	205
HTA head tube angle [°]	70.5	70.5	71	71	71.5	71.5
STA seat tube angle [°]	74	74	73.5	73.5	73	73
CS chain stay length [mm]	460	460	460	460	460	460
BD bottom bracket drop [mm]	70	70	70	70	70	70
FO fork length [mm]	460	460	460	460	460	460
S stack [mm]	611	611	622	637	658	686
R reach [mm]	385	390	396	402	409	420
WB wheel base [mm]	1080	1085	1089	1100	1109	1130

CROSSWAY TFS L

XXS(39)	XS(43)	S(47)	M(51)	L(55)	L(55)
390	430	470	510	550	550
560	565	580	590	610	610
130	130	140	155	175	175
70.5	70.5	71	71	71.5	71.5
74	74	73.5	73.5	73	73
460	460	460	460	460	460
70	70	70	70	70	70
460	460	460	460	460	460
611	611	622	637	658	658
385	390	396	402	409	409
1080	1085	1089	1100	1109	1109

CROSSWAY SPEED / DT

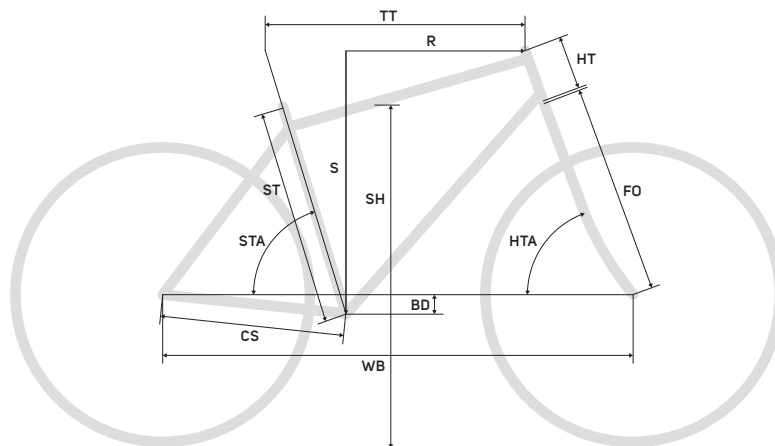
FS frame size	XXS(41)	XS(44)	S(46)	S/M(48)	M/L(52)	L(55)	XL(58)	XXL(61)
ST seat tube [mm]	410	440	460	480	520	550	580	610
TT top tube [mm]	565	565	575	585	595	605	620	635
HT head tube [mm]	125	125	125	135	135	145	170	200
HTA head tube angle [°]	71	71	71.5	71.5	72	72	72	72.5
STA seat tube angle [°]	74	74	73.5	73.5	73.5	73	73	72.5
CS chain stay length [mm]	450	450	450	450	450	450	450	450
BD bottom bracket drop [mm]	70	70	70	70	70	70	70	70
FO fork length [mm]	450	450	450	450	450	450	450	450
S stack [mm]	597	597	599	609	611	620	644	675
R reach [mm]	394	394	397	405	414	415	423	422
WB wheel base [mm]	1073	1073	1072	1082	1087	1091	1107	1110

CROSSWAY SPEED / DT L

XXS(39)	XS(43)	S(47)	M(51)	L(54)
390	430	470	510	540
565	575	585	600	615
135	140	140	170	170
71	71	71	71.5	72
74	73.5	73.5	73	73
450	450	450	450	450
70	70	70	70	70
450	450	450	450	450
607	612	612	642	644
391	394	404	404	418
1073	1078	1088	1092	1101

eONE-SIXTY

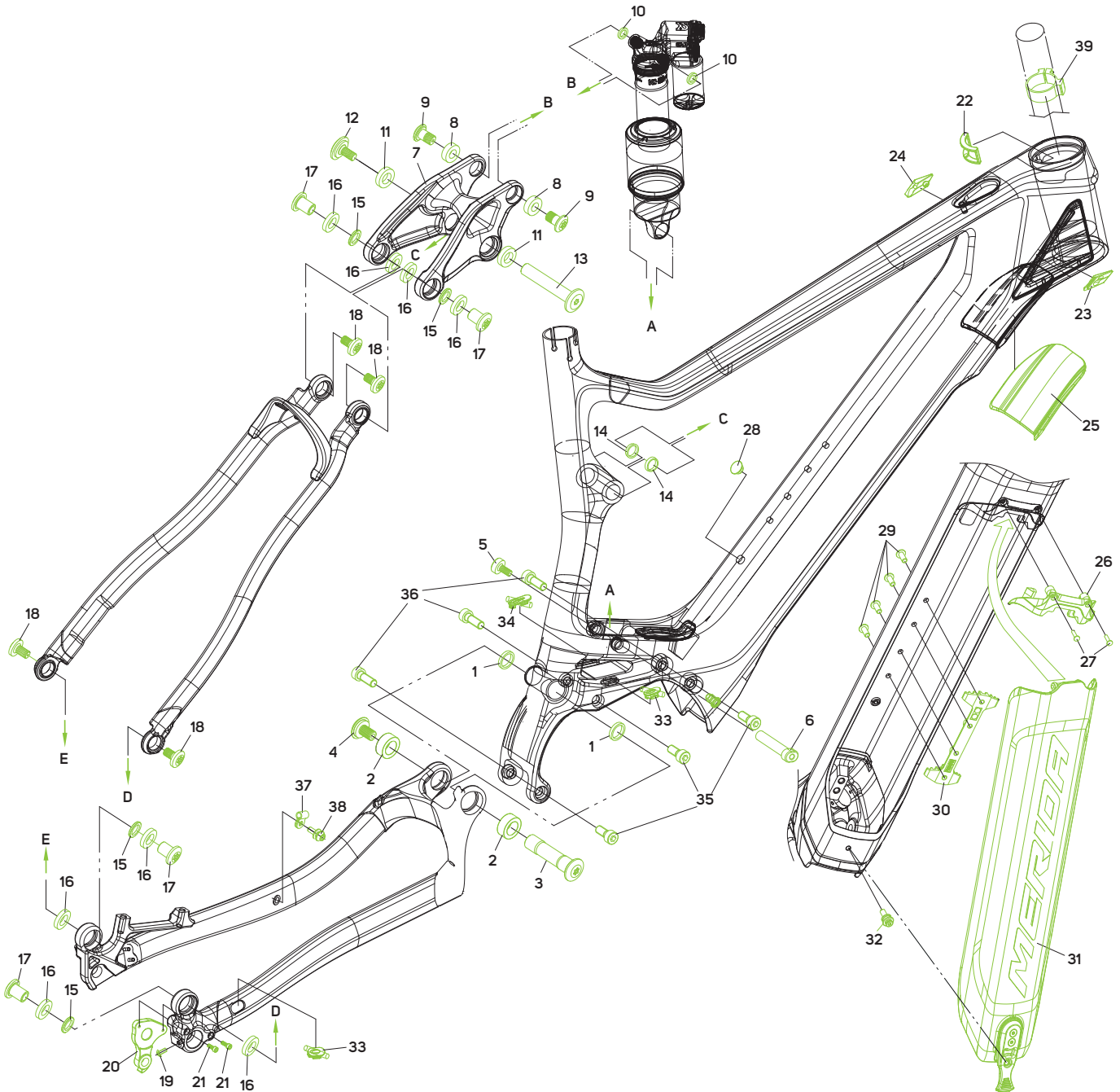
FRAME	CFA	LITE II
MAX. WHEELSIZE	27.5x2.8"	27.5x2.8"
HEAD TUBE		
TAPERED 1-1/8" - 1.5"		•
1.5" - 1.5"	•	
HEADSET		
SEMI-INTEGRATED (44-55 MM)		•
INTEGRATED	•	
BRAKE STANDARD		
DISC BRAKE ON CHAIN STAY	•	•
POST MOUNT 180 MM REAR BRAKE	•	•
SEATPOST DIAMETER		
30.9 MM	•	•
REAR DROPOUT-STANDARD		
THRU AXLE 12X148 MM	•	•
CABLE ROUTING		
INTERNAL SHIFTING CABLES	•	•
INTERNAL BRAKE CABLE	•	•
INTERNAL SEAT POST CABLE	•	•
DI2-READY		
	•	•
MOTOR INTERFACE	Shimano Type 2	Shimano Type 2
BATTERY	Shimano E8035	Shimano E8010
SPEEDSENSOR MOUNT	SM-DUE11	SM-DUE10
RD HANGER	DH-057	



eONE-SIXTY CFA					
	XS	S	M	L	XL
FS frame size					
ST seat tube [mm]	405	420	440	470	500
TT top tube [mm]	562,5	583,5	605	628,5	652
HT head tube [mm]	110	115	120	135	150
HTA head tube angle [°]	65,5	65,5	65,5	65,5	65,5
STA seat tube angle [°]	75,5	75,5	75,5	75,5	75,5
CS chain stay length [mm]	439,5	439,5	439,5	439,5	439,5
BD bottom bracketed drop [mm]	17,5	17,5	17,5	17,5	17,5
FO fork length [mm]	571	571	571	571	571
S stack [mm]	628,5	633	637,5	651,5	665
R reach [mm]	400	420	440	460	480
WB wheel base [mm]	1168	1190	1212	1238,5	1264,5

eONE-SIXTY LITE					
	XS	S	M	L	XL
FS frame size					
ST seat tube [mm]	405	420	440	470	500
TT top tube [mm]	562,5	583,5	605	628,5	652
HT head tube [mm]	110	115	120	135	150
HTA head tube angle [°]	65,5	65,5	65,5	65,5	65,5
STA seat tube angle [°]	75,5	75,5	75,5	75,5	75,5
CS chain stay length [mm]	439,5	439,5	439,5	439,5	439,5
BD bottom bracketed drop [mm]	17,5	17,5	17,5	17,5	17,5
FO fork length [mm]	571	571	571	571	571
S stack [mm]	628,5	633	637,5	651,5	665
R reach [mm]	400	420	440	460	480
WB wheel base [mm]	1168	1190	1212	1238,5	1264,5

eONE-SIXTY CFA



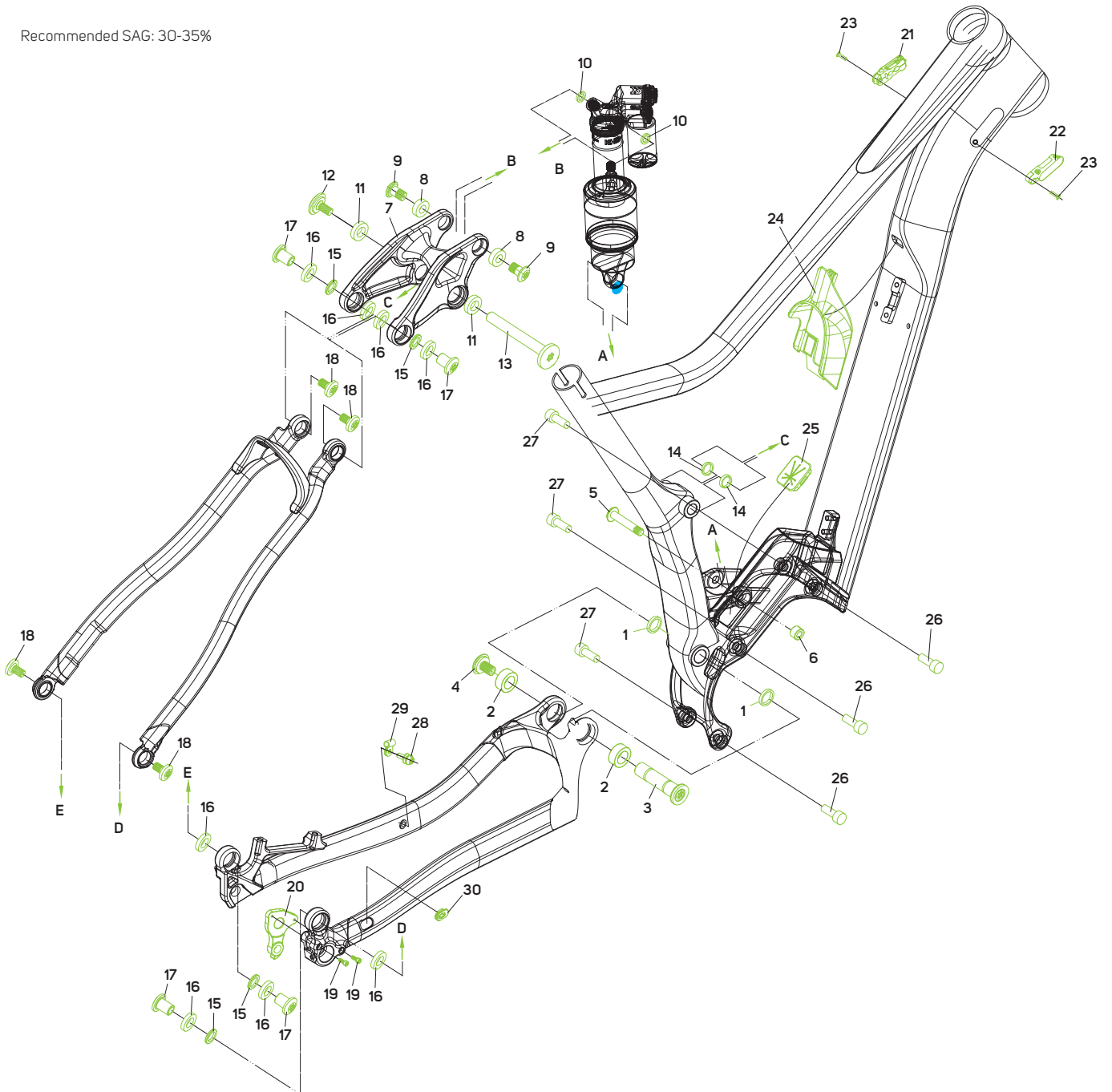
NO.	ITEM NO.	ITEM	DETAIL INFORMATION	PIECES	TORQUE NM
1	2294001180	WASHER		2	
2	2221002395	BEARING	3802V-2RS 24D*15D*7W	2	
3	2300012662	BOLT		1	
4	2300012673	SCREW		1	18
5	2300014426	SCREW		1	12
6	2300014103	BOLT		1	
7		ROCKER		1	
8	2221002254	BEARING	6800V2RS 19D*10D*5W- 6800V2RS 19D*10D*5W	2	
9	2300011865	SCREW		2	16
10	2294004633	WASHER		2	
11	2221002265	BEARING	6801V-2RS 21D*12D*5W6801V-2RS 21D*12D*5W	2	
12	2300012695	SCREW		1	14
13	2300012684	BOLT		1	
14	2294002255	WASHER		2	
15	2294004826	WASHER		4	
16	2221002328	BEARING	12214V-2RS 21D*12D*4W12214V-2RS 21D*12D*4W	8	
17	2300012703	BOLT		4	
18	2300012714	SCREW		4	14

NO.	ITEM NO.	ITEM	DETAIL INFORMATION	PIECES	TORQUE NM
19	2300005272	SCREW		1	5
20	2311005101	HANGER	DH-057DH-057	1	
21	2300010950	SCREW		2	4
22	2029000856	BUMPER		1	
23	2258005535	CABLE GUIDE		1	
24	2258005546	CABLE GUIDE		1	
25	2029000845	BUMPER		1	
26	2161001314	COVER MOUNT		1	
27	2300011412	SCREW		2	4
28	2143003718	PLUG		1	
29	2298011283	SCREW		4	5
30	2161001303	CABLE GUIDE		1	
31	2161001660	ENGERY GUARD		1	
32	2300014857	SCREW		1	5
33	2258003801	CABLE GUIDE		2	
34	2258004943	CABLE GUIDE		1	
35	2300012101	SCREW		3	12
36	2300012112	SCREW		3	12
37	2258001133	CABLE GUIDE		1	
38	2298002501	SCREW		1	5
39	2248001919	INTERNAL BINTER LOCK CLAMP		1	

eONE-SIXTY

MM	SHAFT EYELET		● BODY EYELET	
	PIN WIDTH	PIN ID	PIN WIDTH	PIN ID
205 x 65 mm	-	-	40 mm	8 mm

Recommended SAG: 30-35%

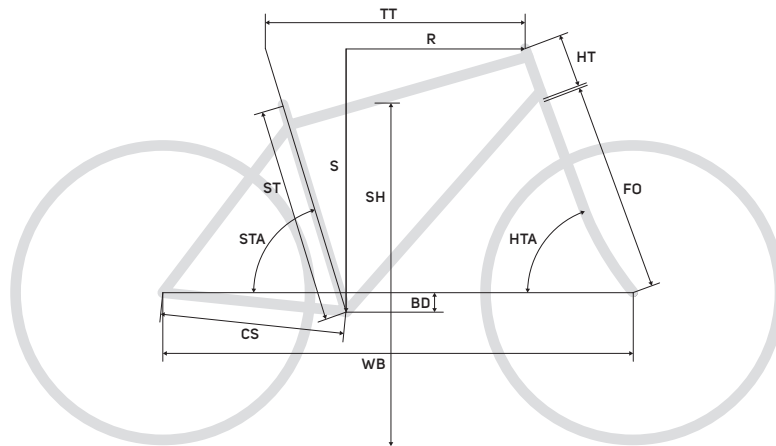


NO.	ITEM NO.	ITEM	DETAIL INFORMATION	PIECES	TORQUE NM
1	2294001180	WASHER		2	
2	2221002191	BEARING	3802V-2RD 24D*15D*7W	2	
3	2300012662	BOLT		1	
4	2300012673	SCREW		1	18
5	2300011876	BOLT		1	14
6	2302002127	NUT		1	
7		ROCKER		1	
8	222100254	BEARING	6800V2RS 19D*10D*5W	2	
9	2300011865	SCREW		2	16
10	2294004633	WASHER		2	
11	2221002265	BEARING	6801V-2RS 21D*12D*5W	2	
12	2300012695	SCREW		1	14
13	2300012684	BOLT		1	
14	2294002255	WASHER		2	
15	2294004826	WASHER		4	
16	2221002328	BEARING	12214V-2RS 21D*12D*4W	8	

NO.	ITEM NO.	ITEM	DETAIL INFORMATION	PIECES	TORQUE NM
17	2300012703	BOLT		4	
18	2300012714	SCREW		4	14
19	2300010950	SCREW		2	4
20	2311005101	DROPOUT_DH-057	see page 444	1	
21		SMART ENTRY	see page 443		
22		SMART ENTRY	see page 443		
23	2300011412	SCREW		2	4
24	2161000681	BATTERY COVER	FOR SIZE S, L	1	
24	2161000670	BATTERY COVER	FOR SIZE M, XL	1	
25	2143002869	PLUG		1	
26	2300012101	SCREW		3	12
27	2300012112	SCREW		3	12
28	2298002501	SCREW		1	7
29	2258000217	CABLE GUIDE		1	
30	2258003801	CABLE GUIDE		1	

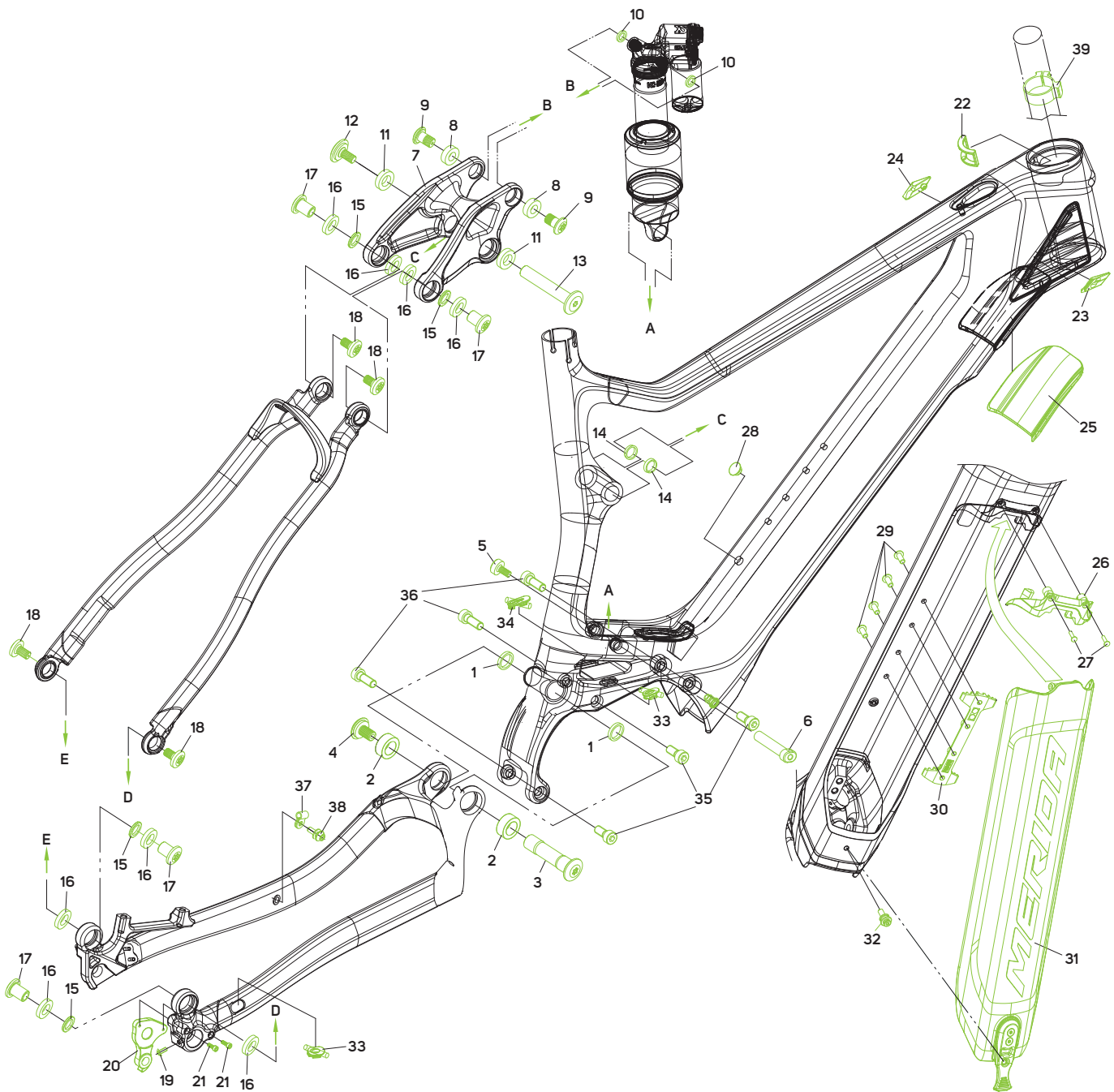
eONE-FORTY

FRAME	CFA
MAX. WHEELSIZE	27.5x2.8"
HEAD TUBE	
TAPERED 1-1/8" - 1.5"	•
HEADSET	
INTEGRATED	•
BRAKE STANDARD	
DISC BRAKE ON CHAIN STAY	•
POST MOUNT 180 MM REAR BRAKE	•
SEATPOST DIAMETER	
30.9 MM	•
REAR DROPOUT-STANDARD	
THRU AXLE 12X148 MM	•
CABLE ROUTING	
INTERNAL SHIFTING CABLES	•
INTERNAL BRAKE CABLE	•
INTERNAL SEAT POST CABLE	•
DI2-READY	
	•
MOTOR INTERFACE	Shimano Type 2
BATTERY	Shimano E8035
SPEEDSENSOR MOUNT	SM-DUE11
RD HANGER	DH-057



eONE-FORTY CFA					
	S	M	L	XL	XXL
FS frame size					
ST seat tube [mm]	405	420	440	470	500
TT top tube [mm]	560,5	581,5	602,5	626	649,5
HT head tube [mm]	110	115	120	135	150
HTA head tube angle [°]	66,5	66,5	66,5	66,5	66,5
STA seat tube angle [°]	76,5	76,5	76,5	76,5	76,5
CS chain stay length [mm]	439,5	439,5	439,5	439,5	439,5
BD bottom bracket drop [mm]	24	24	24	24	24
FO fork length [mm]	551	551	551	551	551
S stack [mm]	622	626,5	631	644,5	658
R reach [mm]	410	429,5	449,5	469,5	489,5
WB wheel base [mm]	1160	1182	1204	1230,5	1256,5

eONE-FORTY CFA

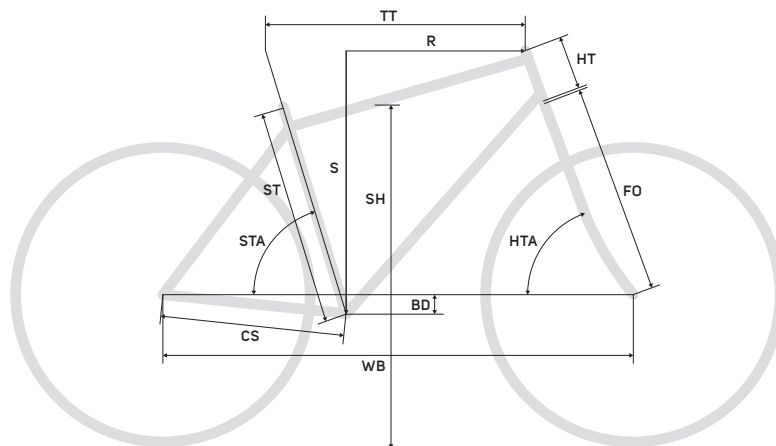


NO.	ITEM NO.	ITEM	DETAIL INFORMATION	PIECES	TORQUE NM
1	2294001180	WASHER		2	
2	2221002395	BEARING	3802V-2RS 24D*15D*7W	2	
3	2300012662	BOLT		1	
4	2300012673	SCREW		1	18
5	2300014426	SCREW		1	12
6	2300014103	BOLT		1	
7		ROCKER		1	
8	2221002254	BEARING	6800V2RS 19D*10D*5W- 6800V2RS 19D*10D*5W	2	
9	2300011865	SCREW		2	16
10	2294004633	WASHER		2	
11	2221002265	BEARING	6801V-2RS 21D*12D*5W6801V-2RS 21D*12D*5W	2	
12	2300012695	SCREW		1	14
13	2300012684	BOLT		1	
14	2294002255	WASHER		2	
15	2294004826	WASHER		4	
16	2221002328	BEARING	12214V-2RS 21D*12D*4W12214V-2RS 21D*12D*4W	8	
17	2300012703	BOLT		4	
18	2300012714	SCREW		4	14

NO.	ITEM NO.	ITEM	DETAIL INFORMATION	PIECES	TORQUE NM
19	2300005272	SCREW		1	5
20	2311005101	HANGER	DH-057DH-057	1	
21	2300010950	SCREW		2	4
22	2029000856	BUMPER		1	
23	2258005535	CABLE GUIDE		1	
24	2258005546	CABLE GUIDE		1	
25	2029000845	BUMPER		1	
26	2161001314	COVER MOUNT		1	
27	2300011412	SCREW		2	4
28	2143003718	PLUG		1	
29	2298011283	SCREW		4	5
30	2161001303	CABLE GUIDE		1	
31	2161001660	ENGERY GUARD		1	
32	2300014857	SCREW		1	5
33	2258003801	CABLE GUIDE		2	
34	2258004943	CABLE GUIDE		1	
35	2300012101	SCREW		3	12
36	2300012112	SCREW		3	12
37	2258001133	CABLE GUIDE		1	
38	2298002501	SCREW		1	5
39	2248001919	INTERNAL BINTER LOCK CLAMP		1	

eONE-TWENTY

FRAME	eONE-TWENTY
MAX. WHEELSIZE	27.5x2.8"
HEAD TUBE	
TAPERED 1-1/8" - 1.5"	•
HEAD SET	
SEMI-INTEGRATED (44-55 MM)	•
BRAKE STANDARD	
DISC BRAKE ON CHAIN STAY	•
POST MOUNT 180 MM REAR BRAKE	•
SEATPOST DIAMETER	
30.9 MM	•
REAR DROPOUT-STANDARD	
THRU AXLE 12X148 MM	•
CABLE ROUTING	
INTERNAL SHIFTING CABLES	•
INTERNAL BRAKE CABLE	•
INTERNAL SEAT POST CABLE	•
DI2-READY	
	•
MOTOR INTERFACE	Shimano Type 2
BATTERY	Shimano E8010
SPEEDSENSOR MOUNT	SM-DUE10
RD HANGER	DH-057

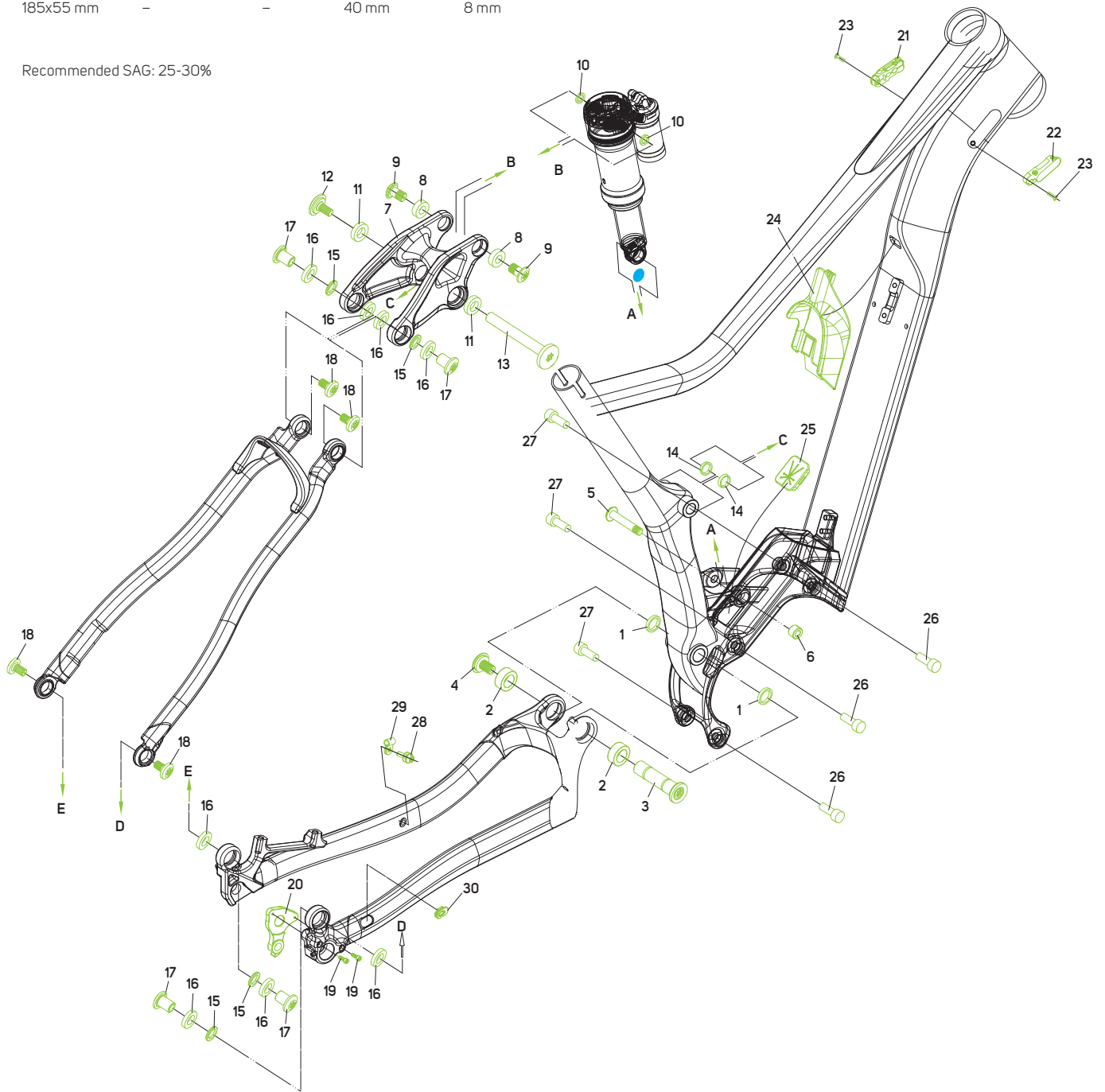


eONE-FORTY CFA				
	S	M	L	XL
FS frame size				
ST seat tube [mm]	400	440	490	540
TT top tube [mm]	583	601	623	646
HT head tube [mm]	110	120	130	140
HTA head tube angle [°]	67.5	67.5	67.5	67.5
STA seat tube angle [°]	75	75	75	75
CS chain stay length [mm]	439.5	439.5	439.5	439.5
BD bottom bracketed drop [mm]	27.5	27.5	27.5	27.5
FO fork length [mm]	541	541	541	541
S stack [mm]	609	619	628	637
R reach [mm]	420	435	455	475
WB wheel base [mm]	1155	1174	1198	1221

eONE-TWENTY

MM	SHAFT EYELET		● BODY EYELET	
	PIN WIDTH	PIN ID	PIN WIDTH	PIN ID
185x55 mm	-	-	40 mm	8 mm

Recommended SAG: 25-30%

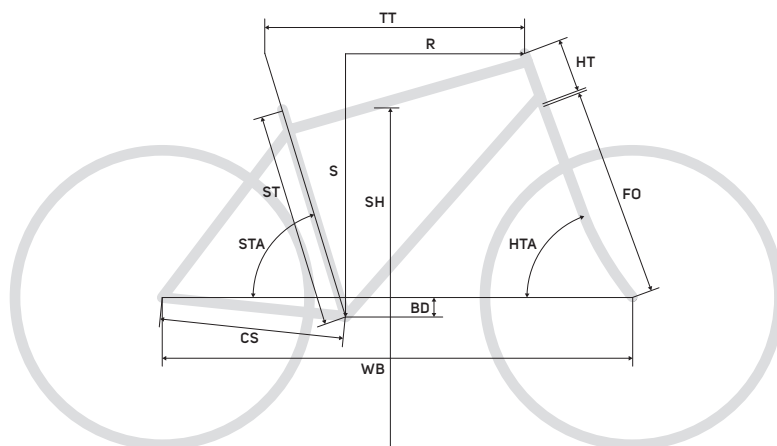


NO.	ITEM NO.	ITEM	DETAIL INFORMATION	PIECES	TORQUE NM
1	2294001180	WASHER		2	
2	2221002191	BEARING	3802V-2RD 24D*15D*7W	2	
3	2300012662	BOLT		1	
4	2300012673	SCREW		1	18
5	2300011876	BOLT		1	14
6	2302002127	NUT		1	
7		ROCKER		1	
8	2221002254	BEARING	6800V2RS 19D*10D*5W	2	
9	2300011865	SCREW		2	16
10	2294004633	WASHER		2	
11	2221002265	BEARING	6801V-2RS 21D*12D*5W	2	
12	2300012695	SCREW		1	14
13	2300012684	BOLT		1	
14	2294002255	WASHER		2	
15	2294004826	WASHER		4	
16	2221002328	BEARING	12214V-2RS 21D*12D*4W	8	

NO.	ITEM NO.	ITEM	DETAIL INFORMATION	PIECES	TORQUE NM
17	2300012703	BOLT		4	
18	2300012714	SCREW		4	14
19	2300010950	SCREW		2	4
20	2311005101	DROPOUT_DH-057	see page 444	1	
21		SMART ENTRY	see page 443		
22		SMART ENTRY	see page 443		
23	2300011412	SCREW		2	4
24	2161000681	BATTERY COVER	FOR SIZE S AND L	1	
24	2161000670	BATTERY COVER	FOR SIZE M	1	
25	2143002869	PLUG		1	
26	2300012101	SCREW		3	16
27	2300012112	SCREW		3	16
28	2298002501	SCREW		1	7
29	2258000217	CABLE GUIDE		1	
30	2258003801	CABLE GUIDE		1	

eBIG.NINE / SEVEN

FRAME	eBIG.NINE LITE II	eBIG.NINE/SEVEN LITE
MAX. WHEELSIZE	29x2.35" without fender 29x2.25" with fender	27.5x2.25" / 29x2.25"
HEAD TUBE		
TAPERED 1-1/8" - 1.5"		•
1.5"-1.5"	•	
HEADSET		
SEMI-INTEGRATED (44-55 MM)		•
INTEGRATED	•	
BRAKE STANDARD		
DISC BRAKE ON CHAIN STAY	•	•
POST MOUNT 180 MM REAR BRAKE	•	•
SEATPOST DIAMETER		
30.9 MM		•
34.9 MM	•	
REAR DROPOUT-STANDARD		
THRU AXLE 12X148 MM	•	•
CABLE ROUTING		
INTERNAL SHIFTING CABLES	•	•
INTERNAL BRAKE CABLE	•	•
INTERNAL SEAT POST CABLE	•	•
DI2-READY		
	•	•
EQUIPMENT OPTIONS		
PLETSCHER 18 MM	•	•
CARRIER MOUNT FRAME	•	•
FENDER MOUNT FRAME	•	•
MOTOR INTERFACE	Shimano Type 2	Shimano Type 2
BATTERY	Shimano E8035	Shimano E8010
SPEEDSENSOR MOUNT	SM-DUE11	SM-DUE11
RD HANGER		DH-057



FS = ST frame size = seat tube [mm] TT top tube [mm] HT head tube [mm]
 HTA head tube angle [°] STA seat tube angle [°] CS chain stay length [mm] BD bottom bracketed drop [mm]
 FO fork length [mm] SH stand over height [mm] S stack [mm] R reach [mm] WB wheel base [mm]

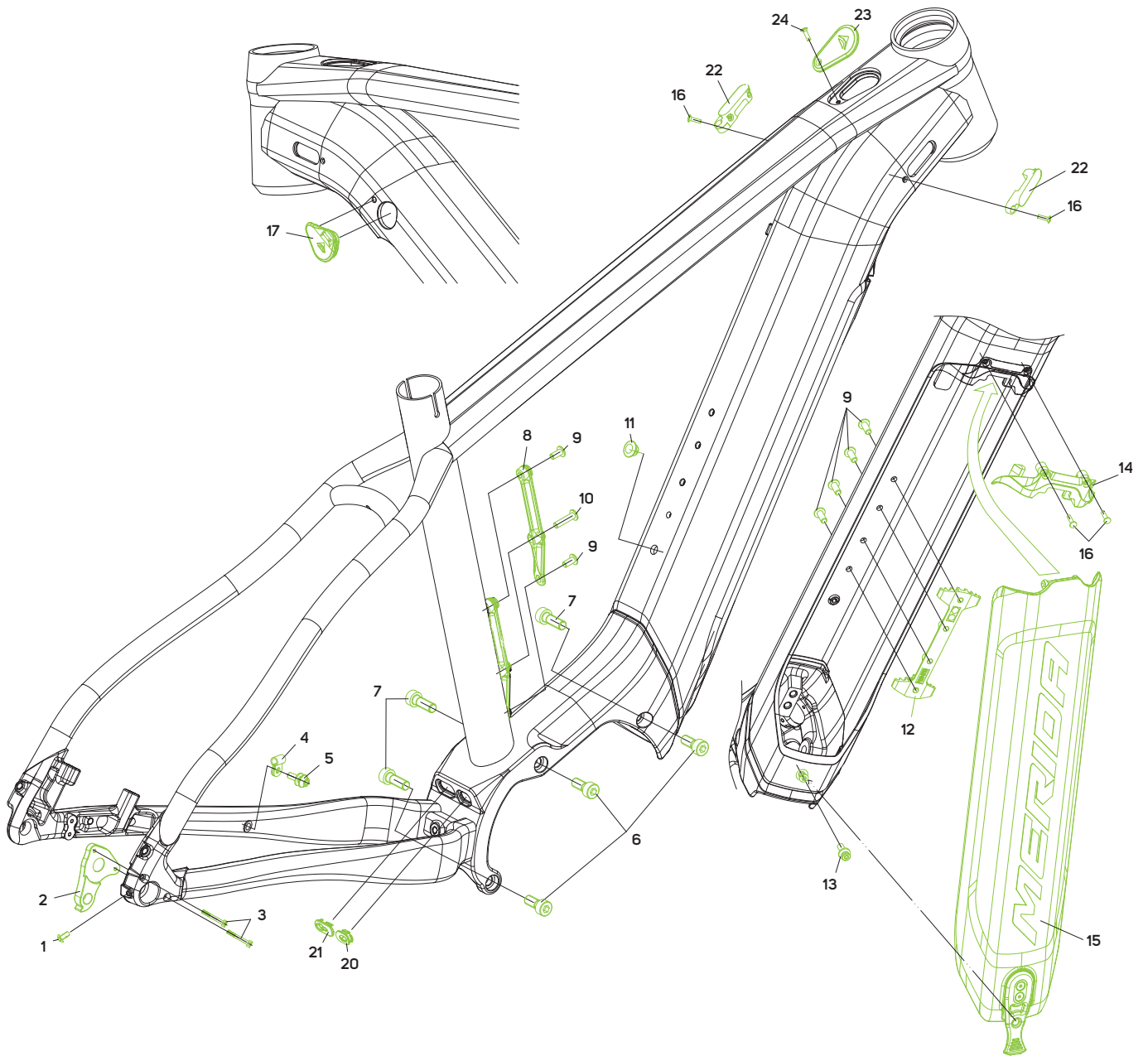
eBIG.NINE LITE II

FS	S	M	L	XL
TT	575	590	610	630
ST	380	430	480	530
CS	465	465	465	465
HTA	68	68	68	68
STA	74,5	74,5	74,5	74,5
BD	52,5	52,5	52,5	52,5
HT	110	120	130	140
FO	506	506	506	506
R	404,5	417	434,5	452
STA	614,5	624	633	642,5
WB	1143	1160	1181	1202

eBIG.SEVEN eBIG.NINE

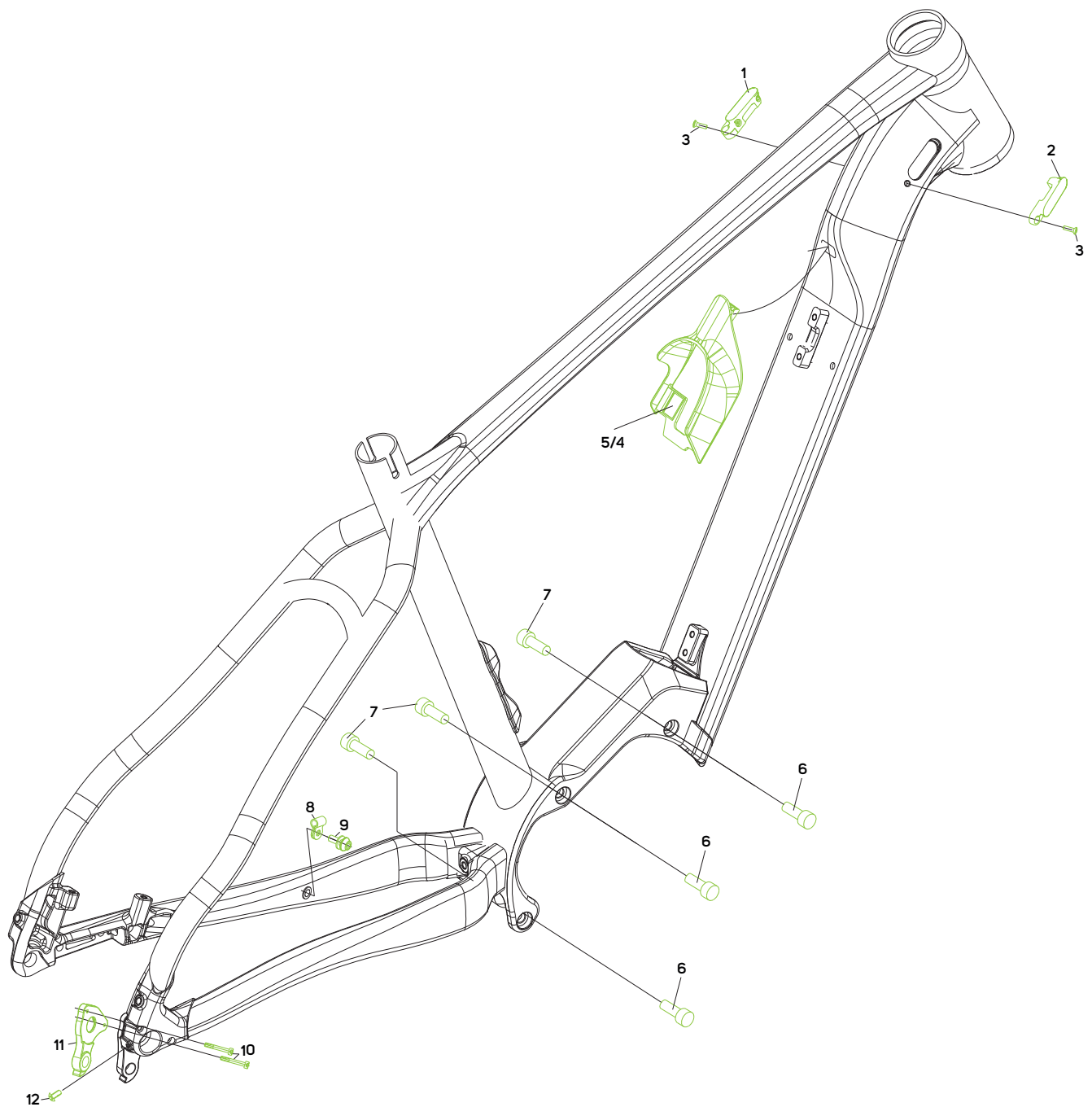
	TS	S	M	L	XL
FS	27.5"	27.5"	29"	29"	29"
ST	380	430	430	480	530
TT	570	590	590	610	630
HT	125	135	115	125	135
HTA	68	68	69,5	69,5	69,5
STA	73,5	73,5	73,5	73,5	73,5
CS	438	438	458	458	458
BD	27	27	65	65	65
FO	487	487	511	511	511
S	579	588	634	643	652
R	399	416	402	420	437
WB	1104	1125	1123	1143	1164

eBIG.NINE INTUBE



NO.	ITEM NO.	ITEM	DETAIL INFORMATION	PIECES	TORQUE NM
1	2300005272	SCREW		1	
2	2311005101	HANGER	DH-057DH-057	1	
3	2300010950	SCREW		2	4
4	2258001133	CABLE GUIDE		1	
5	2298002501	SCREW		1	5
6	2300012101	SCREW		3	12
7	2300012112	SCREW		3	12
8	2136001371	BC-MOUNT		1	
9	2298011283	SCREW		6	5
10	2298011164	SCREW		1	5

NO.	ITEM NO.	ITEM	DETAIL INFORMATION	PIECES	TORQUE NM
11	2143003600	PLUG		1	
12	2161001303	CABLE GUIDE		1	
13	2300014857	SCREW		1	5
14	2161001314	COVERT MOUNT		1	
15	2161001660	ENERGY GUAE		1	
16	2300011412	SCREW		4	4
17	2143003611	PLUG		1	
20	2258004471	CABLE GUIDE		1	
21	2258004943	CABLE GUIDE		1	
22		SMART ENTRY			
23	2161001671	COVER		1	
24	2300011810	SCREW		1	4

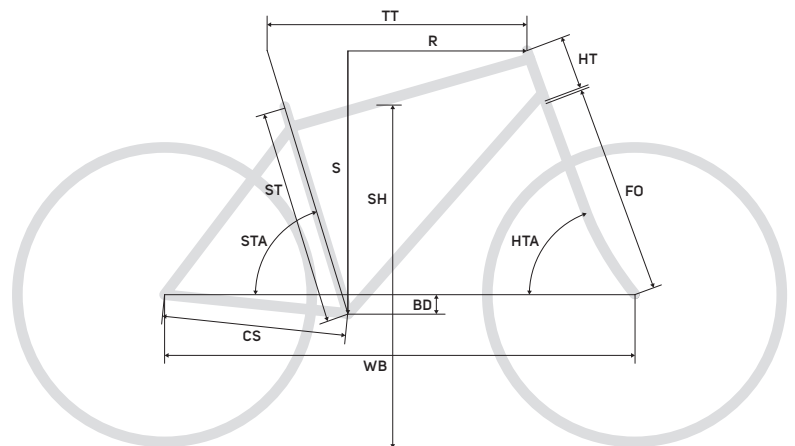


NO.	ITEM NO.	ITEM	DETAIL INFORMATION	PIECES	TORQUE NM
1		SMART ENTRY	see page 443		
2		SMART ENTRY	see page 443		
3	2300011412	SCREW		1	4
4	2161000670	BATTERY COVER	FOR eBIG.SEVEN SIZE S FOR eBIG.NINE SIZE M	1	
5	2161000681	BATTERY COVER	FOR eBIG.SEVEN SIZE M FOR eBIG.NINE SIZE L / XL	1	

NO.	ITEM NO.	ITEM	DETAIL INFORMATION	PIECES	TORQUE NM
6	2300012101	SCREW		3	16
7	2300012112	SCREW		3	16
8	2258000217	CABLE GUIDE		1	
9	2298002501	SCREW		1	7
10	2300010950	SCREW		2	4
11	2311005101	DROPOUT DH-057	see page 444	1	
12	2300005272	SCREW		1	3-5

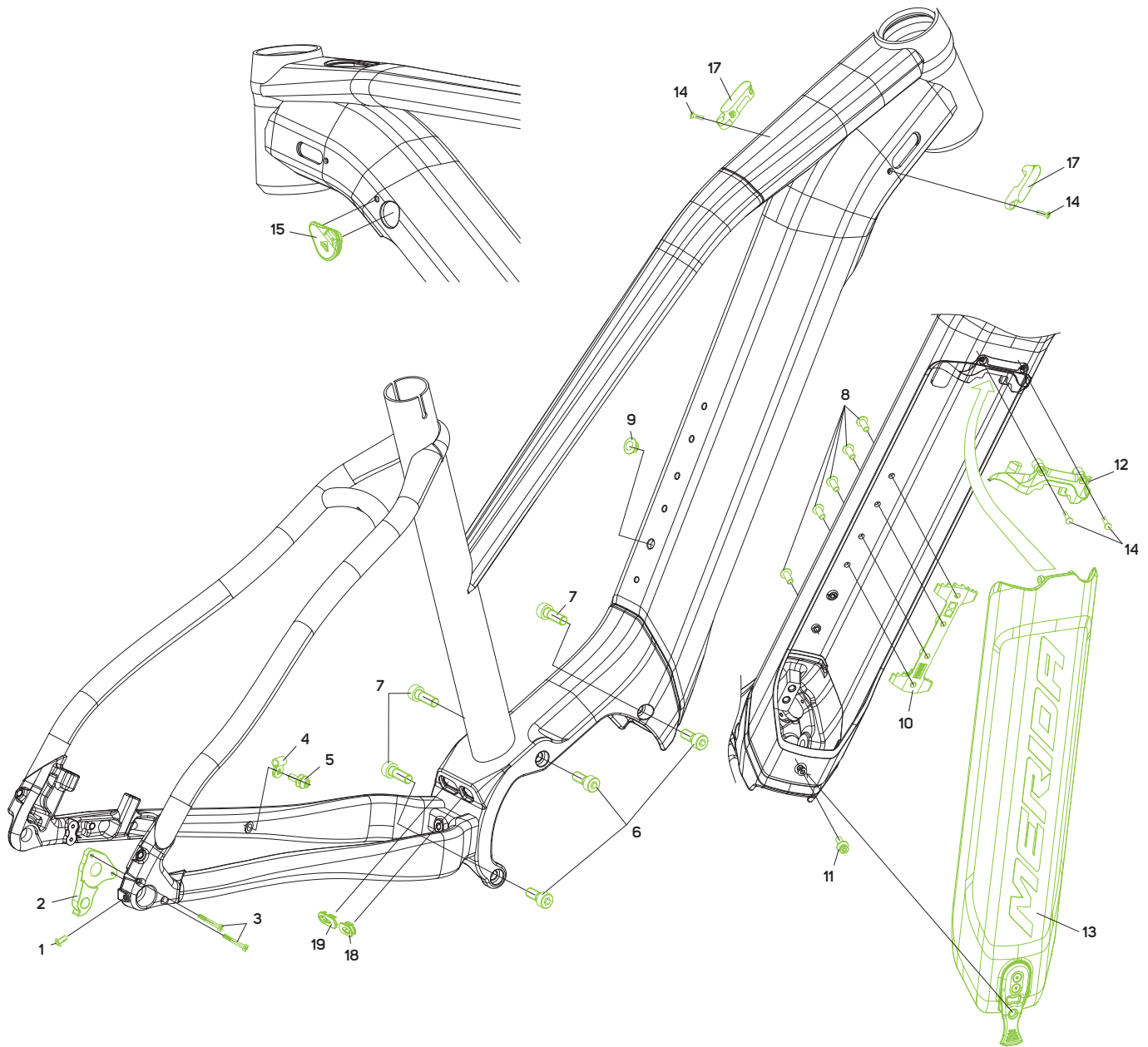
eBIG.TOUR

FRAME	eBIG.TOUR LITE
MAX. WHEELSIZE	29x2.35" without fender 29x2.25" with fender
HEAD TUBE	
1.5"-1.5"	•
HEADSET	
INTEGRATED	•
BRAKE STANDARD	
DISC BRAKE ON CHAIN STAY	•
POST MOUNT 180 MM REAR BRAKE	•
SEATPOST DIAMETER	
30.9 MM	
34.9 MM	•
REAR DROPOUT-STANDARD	
THRU AXLE 12X148 MM	•
CABLE ROUTING	
INTERNAL SHIFTING CABLES	•
INTERNAL BRAKE CABLE	•
INTERNAL SEAT POST CABLE	•
DI2-READY	•
EQUIPMENT OPTIONS	
PLETSCHER 18 MM	•
CARRIER MOUNT FRAME	•
FENDER MOUNT FRAME	•
MOTOR INTERFACE	Shimano Type 2
BATTERY	Shimano E8035
SPEEDSENSOR MOUNT	SM-DUE11
RD HANGER	DH-057



eBIG.TOUR LITE				
	S	M	L	XL
FS frame size				
ST seat tube [mm]	380	430	480	530
TT top tube [mm]	575	590	610	630
HT head tube [mm]	110	120	130	140
HTA head tube angle [°]	68	68	68	68
STA seat tube angle [°]	74,5	74,5	74,5	74,5
CS chain stay length [mm]	465	465	465	465
BD bottom bracket drop [mm]	52,5	52,5	52,5	52,5
FO fork length [mm]	506	506	506	506
S stack [mm]	614,5	624	633	642,5
R reach [mm]	404,5	417	434,5	452
WB wheel base [mm]	1143	1160	1181	1202

eBIG.TOUR ALUMINIUM



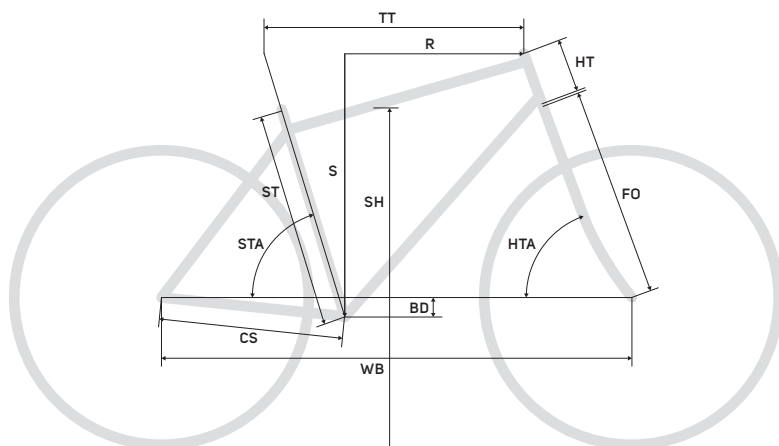
NO.	ITEM NO.	ITEM	DETAIL INFORMATION	PIECES	TORQUE NM
1	2300005272	SCREW		1	
2	2311005101	HANGER	DH-057DH-057	1	
3	2300010950	SCREW		2	4
4	2258001133	CABLE GUIDE		1	
5	2298002501	SCREW		1	5
6	2300012101	SCREW		3	12
7	2300012112	SCREW		3	12
8	2298011283	SCREW		5	5
9	2143003600	PLUG		1	

NO.	ITEM NO.	ITEM	DETAIL INFORMATION	PIECES	TORQUE NM
10	2161001303	CABLE GUIDE		1	
11	2300014857	SCREW		1	5
12	2161001314	COVER MOUNT		1	
13	2161001660	ENERGY GUARD		1	
14	2300011412	SCREW		4	4
15	2143003611	PLUG		1	
17		SMART ENTRY			
18	2258004471	CABLE GUIDE		1	
19	2258004943	CABLE GUIDE		1	

FRAME INTERFACES / GEOMETRIES

eSPRESSO

FRAME	eSPRESSO LITE II	eSPRESSO LITE II HG	eSPRESSO LITE
MAX. WHEELSIZE	700x50C (with fender)	700x50C (with fender)	700x42 C (with fender)
HEAD TUBE			
TAPERED 1-1/8" - 1.5"	•	•	•
HEADSET			
SEMI-INTEGRATED (44-55 MM)	•	•	•
BRAKE STANDARD			
DISC BRAKE ON CHAIN STAY	•	•	•
POST MOUNT 160 MM REAR BRAKE	•	•	•
POST MOUNT 180 MM REAR BRAKE		•	
SEATPOST DIAMETER			
30,9 MM			•
34,9 MM	•	•	
REAR DROPOUT-STANDARD			
THRU AXLE 12X142 MM	•	•	•
HUB-GEAR SLIDER DO 9X135 MM		•	
CABLE ROUTING			
INTERNAL SHIFTING CABLES	•	•	•
INTERNAL BRAKE CABLE	•	•	•
INTERNAL SEAT POST CABLE	•	•	•
DI2-READY			
	•	•	•
EQUIPMENT OPTIONS			
PLETSCHER 18 MM	•	•	•
CARRIER MOUNT FRAME (RACKTIME SHINE EVO)	•	•	•
CARRIER MOUNT FRAME (STANDARD)	•	•	•
FENDER MOUNT FRAME	•	•	•
FENDER MOUNT FORK	•	•	•
MOTOR INTERFACE			
	Shimano Type 2	Shimano Type 2	Shimano Type 2
BATTERY			
	Shimano E8035	Shimano E8035	Shimano E8010
SPEEDSENSOR MOUNT			
	SM-DUE11	SM-DUE11	SM-DUE11
RD HANGER			
		DH-057	



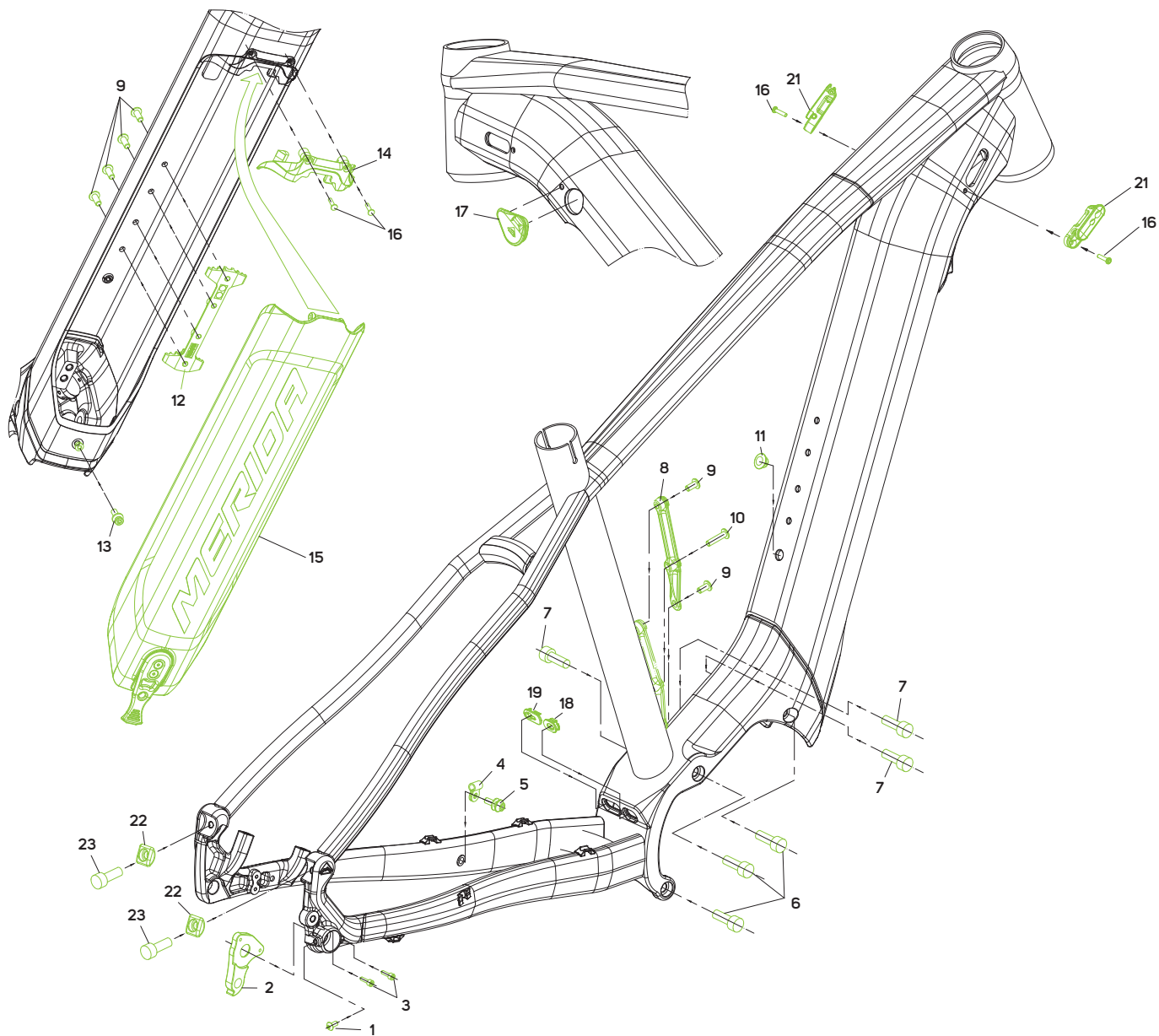
FS = ST frame size = seat tube [mm] TT top tube [mm] HT head tube [mm]
 HTA head tube angle [°] STA seat tube angle [°] CS chain stay length [mm] BD bottom bracket drop [mm]
 FO fork length [mm] S stack [mm] R reach [mm] WB wheel base [mm]

eSPRESSO LITE II / HG					
FS	XS(43)	S(47)	M(51)	L(55)	XL(59)
TT	565	580	590	610	630
ST	430	470	510	550	590
CS	478	478	478	478	478
HTA	70,5	71	71	71,5	71,5
STA	75	74,5	74,5	74	74
BD	70	70	70	70	70
HT	130	140	155	175	205
FO	475	475	475	475	475
R	397,5	403,5	409,5	417	429
STA	626,5	637	651,5	672,5	701
WB	1113,5	1118	1129	1138	1159,5

eSPRESSO L LITE II / HG				
FS	XS(43)	S(47)	M(51)	L(55)
TT	565	580	590	610
ST	430	470	510	550
CS	478	478	478	478
HTA	70,5	71	71	71,5
STA	75	74,5	74,5	74
BD	70	70	70	70
HT	130	140	155	175
FO	475	475	475	475
R	397,5	403,5	409,5	417
STA	626,5	637	651,5	672,5
WB	1113,5	1118	1129	1138

eSPRESSO					
FS	XS(43)	S(47)	M(51)	L(55)	XL(59)
ST	430	470	510	550	590
TT	565	580	590	610	630
HT	130	140	155	175	205
HTA	70,5	71	71	71,5	71,5
STA	74	73,5	73,5	73	73
CS	475	475	475	475	475
BD	70	70	70	70	70
FO	477	477	477	477	477
S	627	638	653	674	702
R	385	391	397	404	415
WB	1101	1105	1116	1124	1145

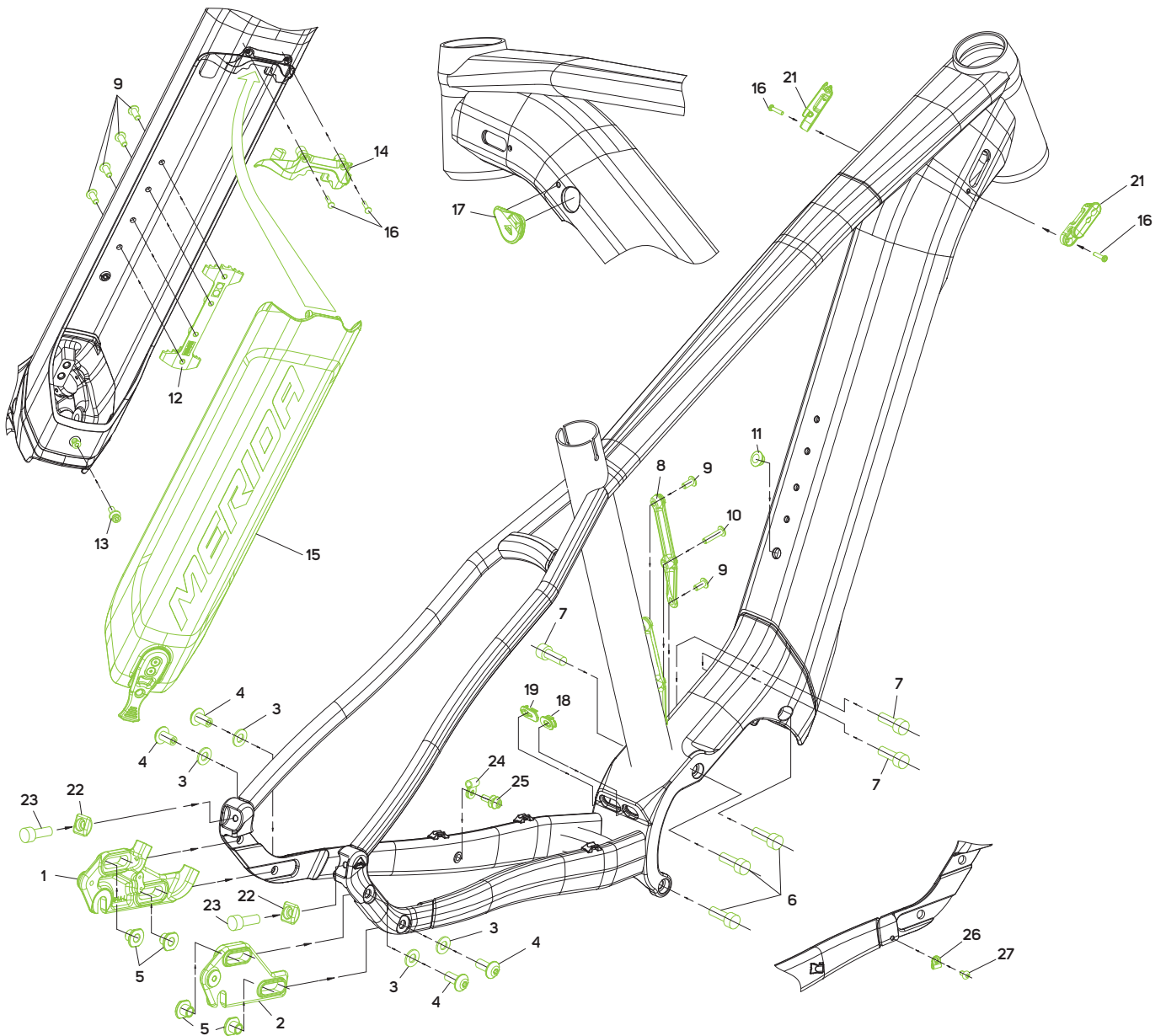
eSPRESSO L				
FS	XS(43)	S(47)	M(51)	L(55)
ST	430	470	510	550
TT	565	580	590	610
HT	130	140	155	175
HTA	70,5	71	71	71,5
STA	74	73,5	73,5	73
CS	475	475	475	475
BD	70	70	70	70
FO	477	477	477	477
S	627	638	653	674
R	385	391	397	404
WB	1101	1105	1116	1124



NO.	ITEM NO.	ITEM	DETAIL INFORMATION	PIECES	TORQUE NM
1	2300005272	SCREW		1	
2	2311005101	HANGAR	DH-057	1	
3	2300009458	SCREW		2	4
4	2258001133	CABLE GUIDE		1	
5	2298002501	SCREW		1	5
6	2300012101	SCREW		3	16
7	2300012112	SCREW		3	16
8	2136001371	BC-MOUNT		1	
9	2298012187	SCREW		6	5
10	2298011164	SCREW		1	5
11	2143003600	PLUG		1	

NO.	ITEM NO.	ITEM	DETAIL INFORMATION	PIECES	TORQUE NM
12	2161001303	CABLE GUIDE		1	
13	2300014857	SCREW		1	5
14	2161001314	COVER MOUNT		1	
15	2161001660	ENERGY GUARD		1	
16	2300011412	SCREW		4	4
17	2143003611	PLUG/PLUG		1	
18	2258004471	CABLE GUIDE		1	
19	2258004943	CABLE GUIDE		1	
21		SMART ENTRY			
22	2143003213	BLIND PLUG		2	
23	2298011131	SCREW		2	8

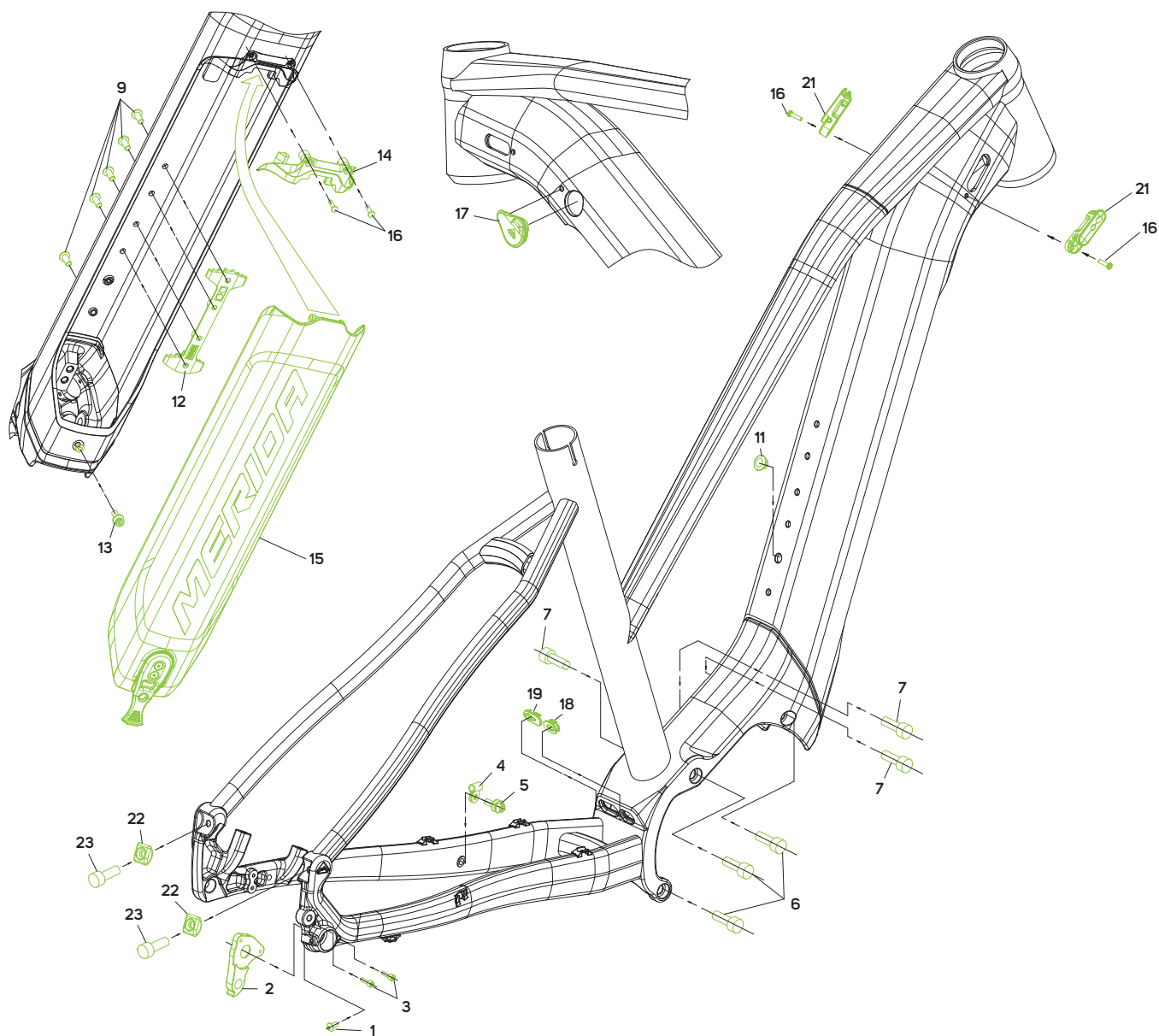
eSPRESSO INTUBE SLIDER



NO.	ITEM NO.	ITEM	DETAIL INFORMATION	PIECES	TORQUE NM
1	2311005587	DROPOUT	DH-064A-L	1	
2	2311005598	DROPOUT	DH-064A-R	1	
3	2294002501	WASHER		4	
4	2300014437	SCREW		4	
5	2300014932	NUT		4	
6	2300012101	SCREW		3	16
7	2300012112	SCREW		3	16
8	2136001371	BC-MOUNT		1	
9	2298012187	SCREW		6	5
10	2298011164	SCREW		1	5
11	2143003600	PLUG		1	
12	2161001303	CABLE GUIDE		1	
13	2300014857	SCREW		1	5

NO.	ITEM NO.	ITEM	DETAIL INFORMATION	PIECES	TORQUE NM
14	2161001314	COVER MOUNT		1	
15	2161001660	ENERGY GUARD		1	
16	2300011412	SCREW		4	4
17	2143003611	PLUG		1	
18	2258004471	CABLE GUIDE		1	
19	2258004943	CABLE GUIDE		1	
21		SMART ENTRY			
22	2143003213	BLIND PLUG		2	
23	2298011131	SCREW		2	8
24	2258001133	CABLE GUIDE		1	
25	2298002501	SCREW		1	5
26	2258004910	CABLE GUIDE		1	
27	2300005272	SCREW		1	

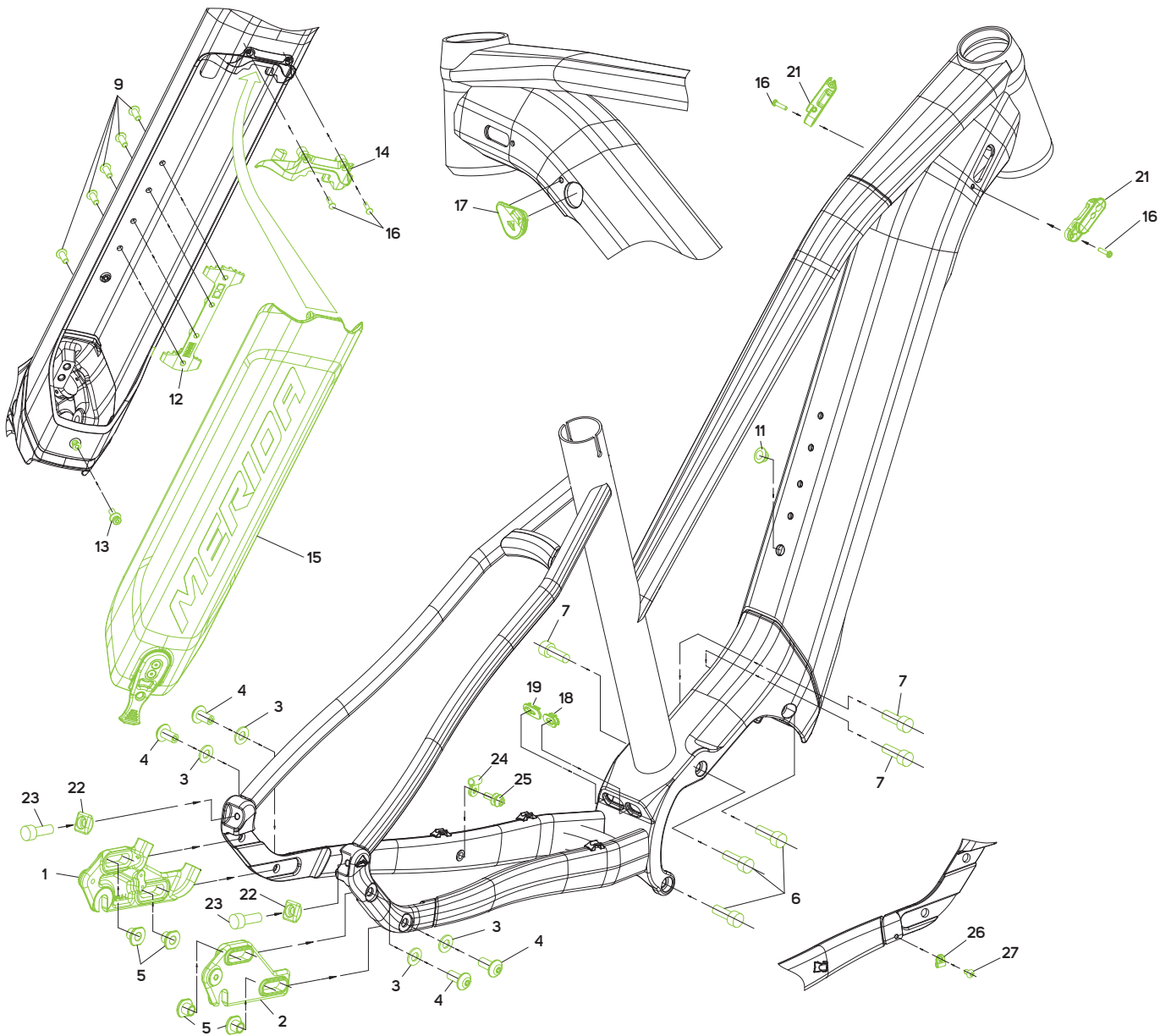
eSPRESSO INTUBE L



NO.	ITEM NO.	ITEM	DETAIL INFORMATION	PIECES	TORQUE NM
1	2300005272	SCREW		1	
2	2311005101	HANGER		1	
3	2300009458	SCREW		2	4
4	2258001133	CABLE GUIDE		1	
5	2298002501	SCREW		1	5
6	2300012101	SCREW		3	16
7	2300012112	SCREW		3	16
11	2143003600	PLUG		1	
12	2161001303	CABLE GUIDE		1	
13	2300014857	SCREW		1	5

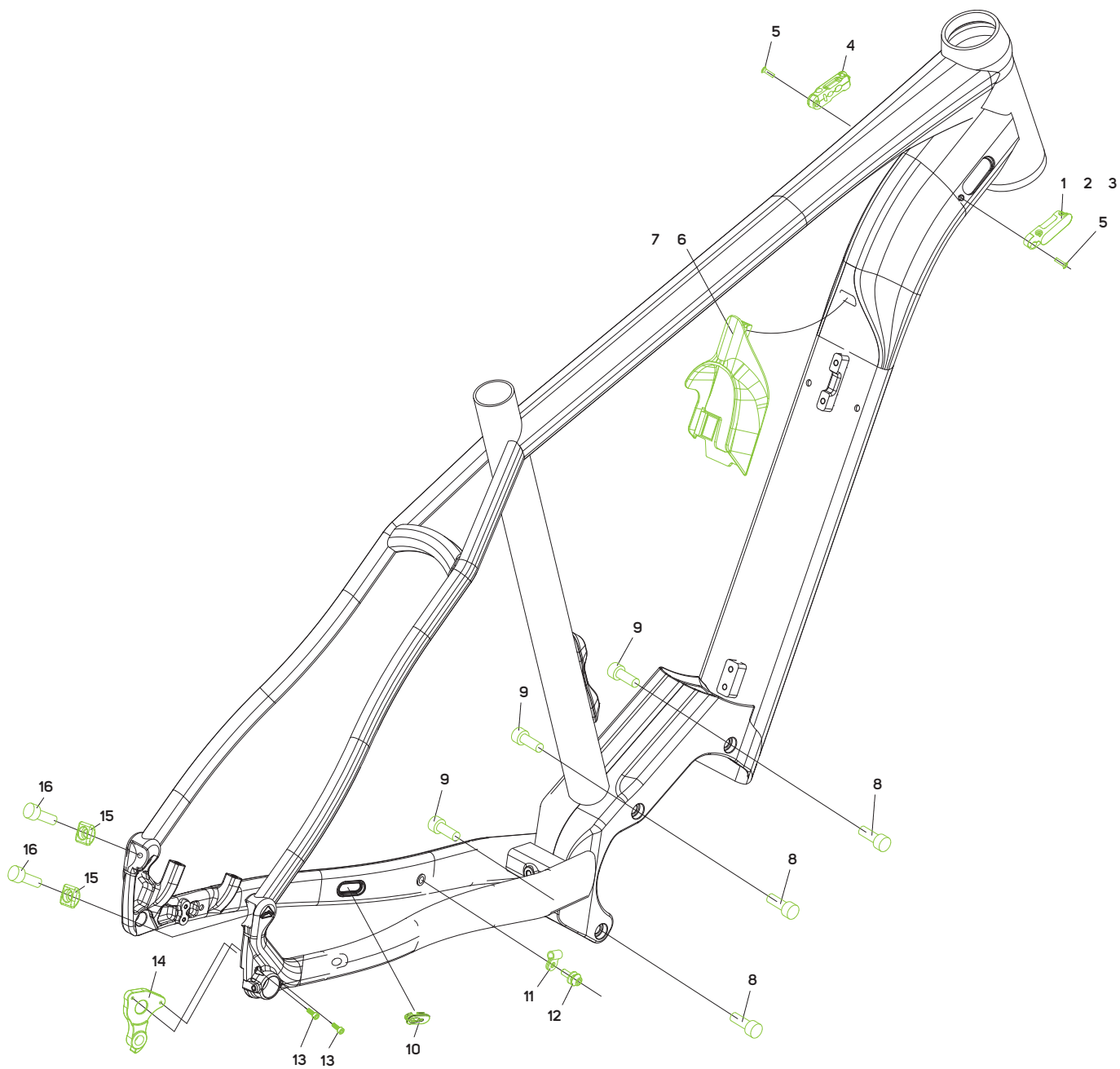
NO.	ITEM NO.	ITEM	DETAIL INFORMATION	PIECES	TORQUE NM
14	2161001314	COVER MOUNT		1	
15	2161001660	ENERGY GUARD		1	
16	2300011412	SCREW		4	4
17	2143003611	PLUG		1	
18	2258004471	CABLE GUIDE		1	
19	2258004943	CABLE GUIDE		1	
21		SMART ENTRY			
22	2143003213	BLIND PLUG	IF NO CARRIER IS MOUNTED	2	
23	2298011131	SCREW		2	8

eSPRESSO INTUBE L SLIDER

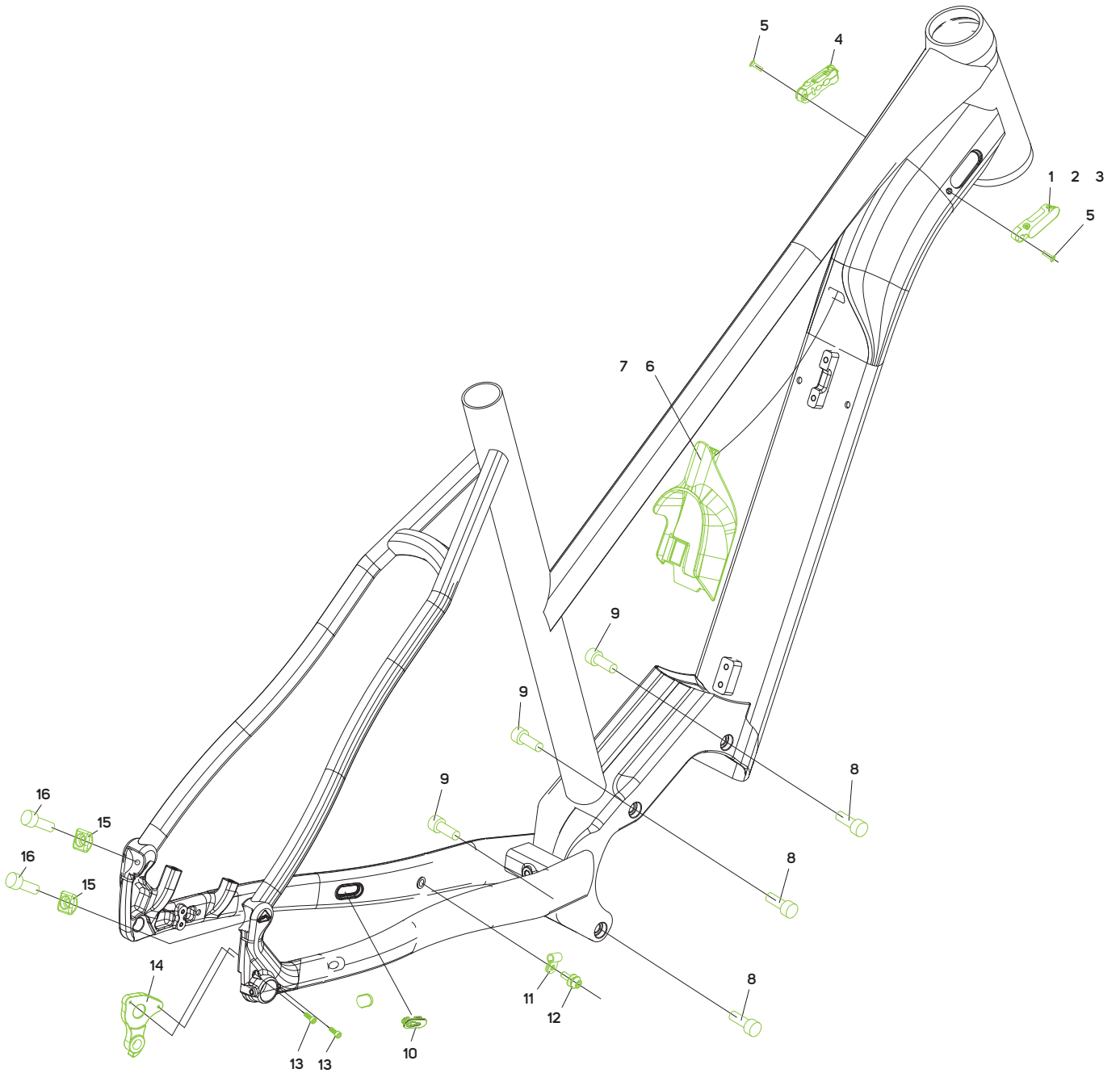


NO.	ITEM NO.	ITEM	DETAIL INFORMATION	PIECES	TORQUE NM
1	2311005587	DROPOUT	DH-064A-LDH-064A-L	1	
2	2311005598	DROPOUT	DH-064A-RDH-064A-R	1	
3	2294002501	SCREW		4	
4	2300014437	SCREW		4	14
5	2300014932	NUT		4	
6	2300012101	SCREW		3	16
7	2300012112	SCREW		3	16
11	2143003600	PLUG		1	
12	2161001303	CABLE GUIDE		1	
13	2300014857	SCREW		1	5
14	2161001314	COVER MOUNT		1	
15	2161001660	ENERGY GUARD		1	

NO.	ITEM NO.	ITEM	DETAIL INFORMATION	PIECES	TORQUE NM
16	2300011412	SCREW		4	4
17	2143003611	PLUG		1	
18	2258004471	CABLE GUIDE		1	
19	2258004943	CABLE GUIDE		1	
21		SMART ENTRY			
22	2143003213	BLIND PLUG	IF NO CARRIER IS MOUNTED	2	
23	2298011131	SCREW		2	8
24	2258001133	CABLE GUIDE		1	
25	2298002501	SCREW		1	5
26	2258004910	CABLE GUIDE		1	
27	2300005272	SCREW		1	



NO.	ITEM NO.	ITEM	DETAIL INFORMATION	PIECES	TORQUE NM
1-5		SMART ENTRY	see page 443		
6	2161000670	BATTERY COVER	FOR SIZES: S / M / L / XL	1	
7	2161000681	BATTERY COVER	FOR SIZE: XS	1	
8	2300012101	SCREW		3	16
9	2300012112	SCREW		3	16
10	2258004943	CABLE GUIDE		1	
11	2258000217	CABLE GUIDE		1	
12	2298002501	SCREW		1	7
13	2300009458	SCREW		2	4
14	2311005101	DROPOUT DH-057	see page 444	1	
15	2143003213	CAP	only for EQ versions	2	
16	2298011131	SCREW	only for EQ versions	2	8

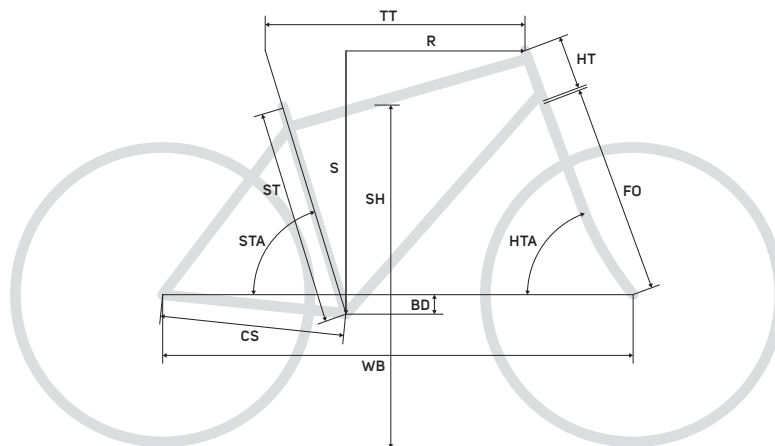


NO.	ITEM NO.	ITEM	DETAIL INFORMATION	PIECES	TORQUE NM
1-5		SMART ENTRY	see page 443		
6	2161000670	BATTERY COVER	FOR SIZES: S / M / L / XL	1	
7	2161000681	BATTERY COVER	FOR SIZE: XS	1	
8	2300012101	SCREW		3	16
9	2300012112	SCREW		3	16
10	2258004943	CABLE GUIDE		1	
11	2258000217	CABLE GUIDE		1	
12	2298002501	SCREW		1	7
13	2300009458	SCREW		2	4
14	2311005101	DROPOUT DH-057	see page 444	1	
15	2143003213	CAP	only for EQ versions	2	
16	2298011131	SCREW	only for EQ versions	2	8

eSPRESSO CITY

FRAME	LITE HG	LITE
MAX. WHEELSIZE	700x47C (with fender)	700x47C (with fender)
HEAD TUBE		
TAPERED 1-1/8" - 1.5"	•	•
HEADSET		
SEMI-INTEGRATED (44-55 MM)	•	•
BRAKE STANDARD		
DISC BRAKE ON CHAIN STAY	•	•
POST MOUNT 160 MM REAR BRAKE		•
POST MOUNT 180 MM REAR BRAKE	•	
SEATPOST DIAMETER		
30.9 MM	•	•
REAR DROPOUT-STANDARD		
THRU AXLE 12X142 MM		•
HUB GEAR SLIDER DO 9X135 MM	•	
CABLE ROUTING		
INTERNAL SHIFTING CABLES	•	•
INTERNAL BRAKE CABLE	•	•
INTERNAL SEAT POST CABLE	•	•
DI2-READY		
	•	•

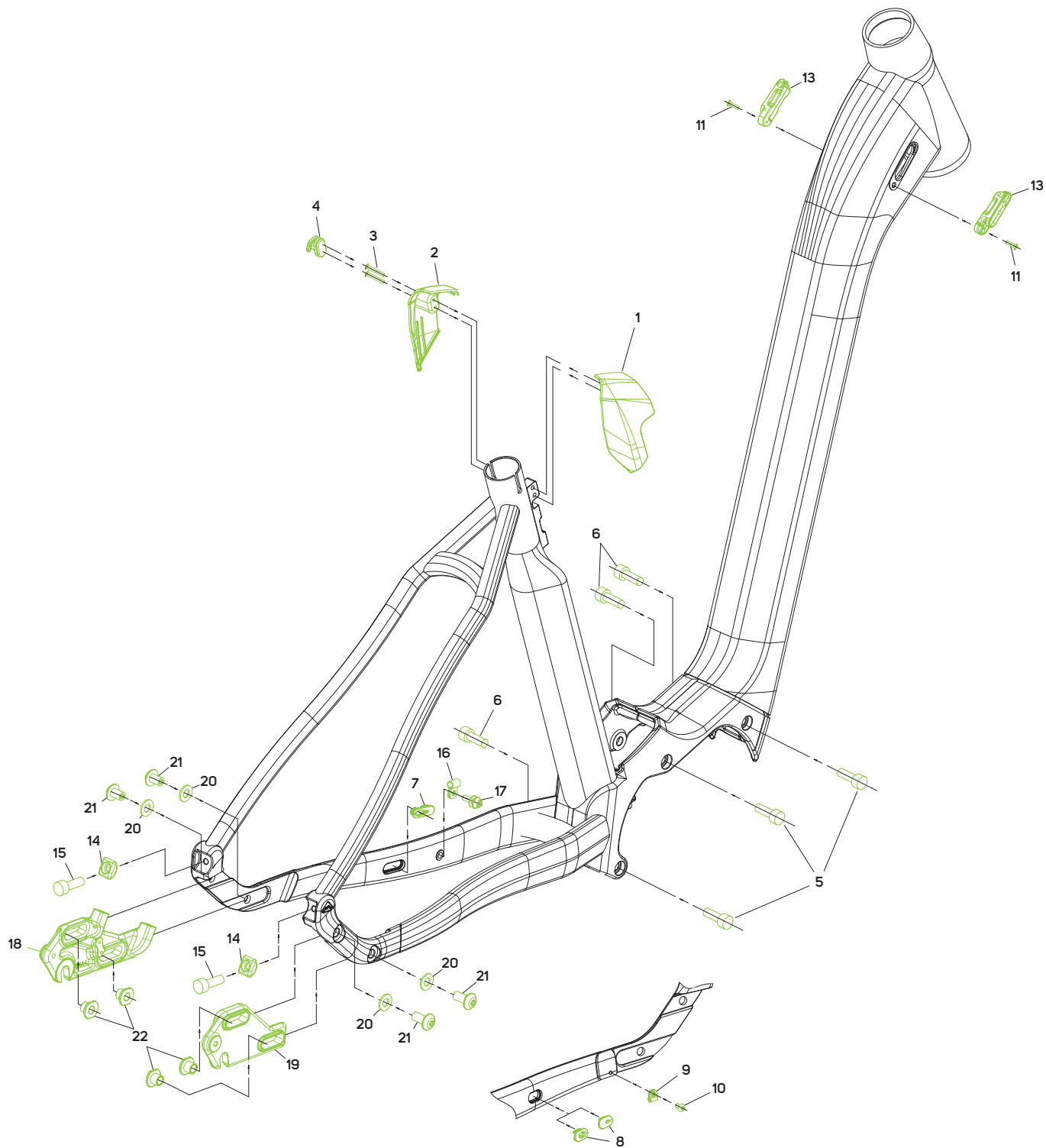
FRAME	LITE HG	LITE
EQUIPMENT OPTIONS		
PLETSCHER 18 MM	•	•
CARRIER MOUNT FRAME (RACKTIME SHINE EVO)	•	•
CARRIER MOUNT FRAME (STANDARD)	•	•
FENDER MOUNT FRAME	•	•
FENDER MOUNT FORK	•	•
MOTOR INTERFACE		
	Shimano Type 2	Shimano Type 2
BATTERY		
	Shimano E8010	Shimano E8010
SPEEDSENSOR MOUNT		
	SM-DUE11	SM-DUE11
RD HANGER		
	DH-064A-L/R	DH-057



eSPRESSO CITY LITE HG					
FS frame size	XS(41,5)	S(45)	M(49)	L(53)	XL(57)
ST seat tube [mm]	415	450	490	530	570
TT top tube [mm]	575	590	605	620	635
HT head tube [mm]	160	170	185	200	215
HTA head tube angle [°]	69,5	70	70	70,5	70,5
STA seat tube angle [°]	74	73,5	73	73	72,5
CS chain stay length [mm]	490	490	490	490	490
BD bottom bracketed drop [mm]	70	70	70	70	70
FO fork length [mm]	477	477	477	477	477
S stack [mm]	651	662	676	693	707
R reach [mm]	389	394	398	408	412
WB wheel base [mm]	1140	1143	1153	1163	1171

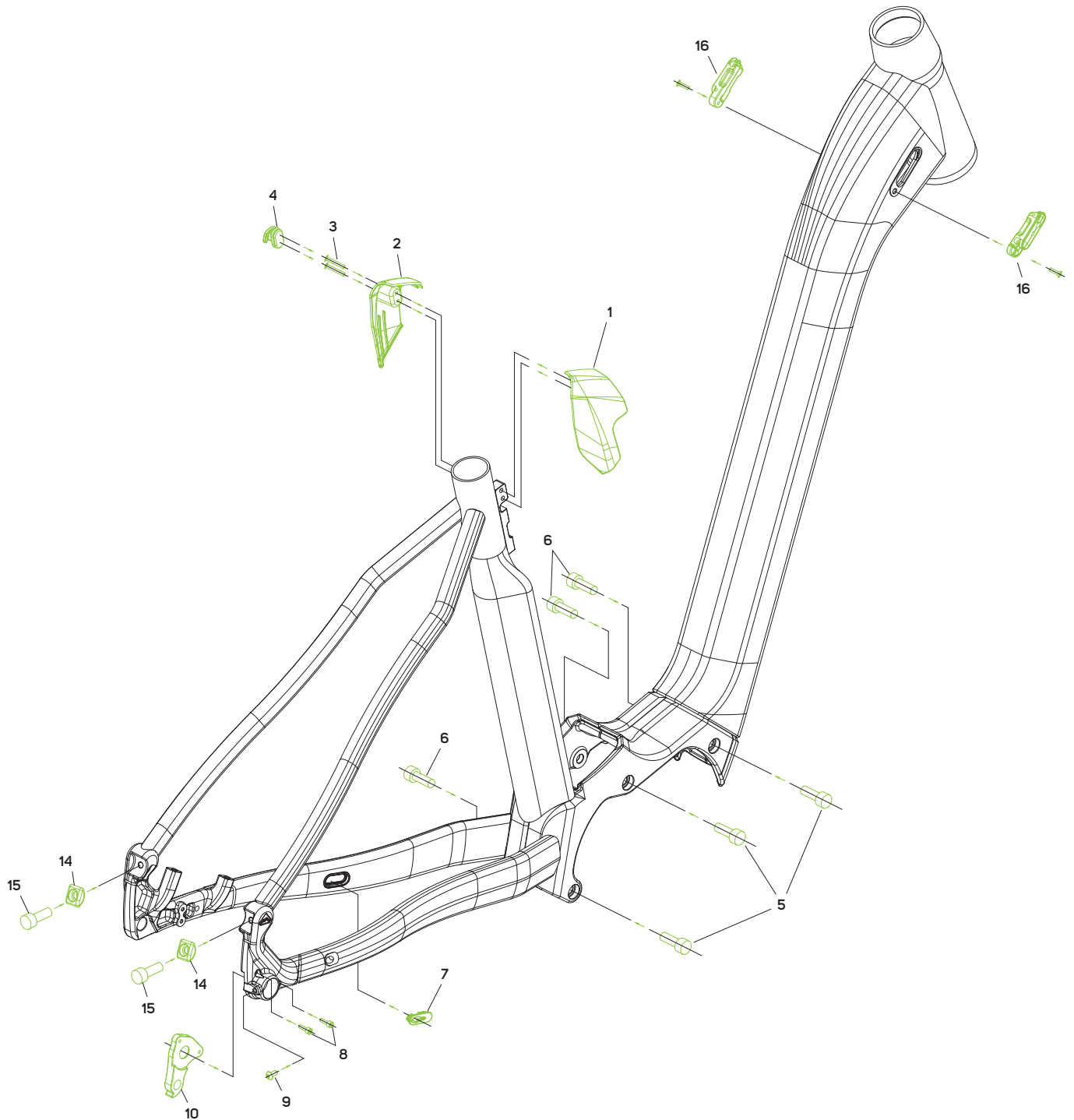
eSPRESSO CITY LITE					
XS(41.5)	S(45)	M(49)	L(53)	XL(57)	
415	450	490	530	570	
575	590	605	620	635	
160	170	185	200	215	
69.5	70	70	70.5	70.5	
74	73.5	73	73	72.5	
490	490	490	490	490	
70	70	70	70	70	
477	477	477	477	477	
651	662	676	693	707	
389	394	398	408	412	
1140	1143	1153	1163	1171	

eSPRESSO CITY SLIDER



NO.	ITEM NO.	ITEM	DETAIL INFORMATION	PIECES	TORQUE NM
1	2161000692	COVER		1	
2	2161000700	COVER		1	
3	2300013426	SCREW		2	5
4	2143003280	PLUG		1	
5	2300012101	SCREW		3	12
6	2300012112	SCREW		3	12
7	2258004943	CABLE GUIDE		1	
8	2258003760	CABLE GUIDE	FOR DI2 CABLES	1	
8	2258003812	CABLE GUIDE	FOR MECHANICAL CABLES	1	
9	2258004910	CABLE GUIDE		1	
10	2300005272	SCREW		1	

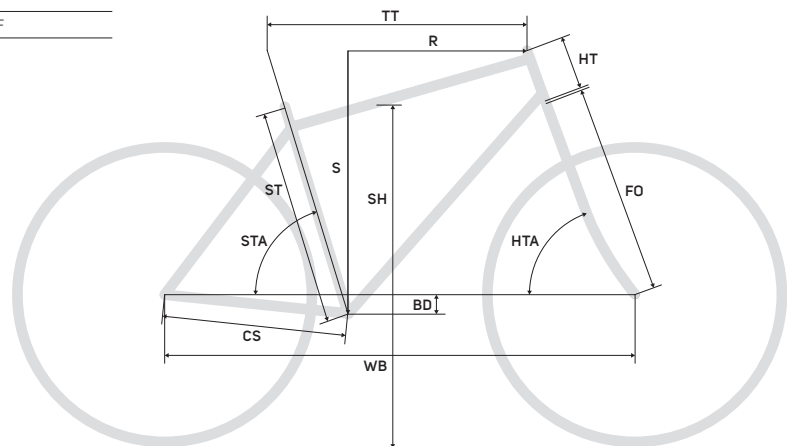
NO.	ITEM NO.	ITEM	DETAIL INFORMATION	PIECES	TORQUE NM
11	2300011412	SCREW		2	4
13		SMART ENTRY			
14	2143003213	BLIND PLUG		2	
15	2298011131	SCREW		2	8
16	2258001133	CABLE GUIDE		1	
17	2298002501	SCREW		1	5
18	2311005587	DROPOUT	DH-064A-L	1	
19	2311005598	DROPOUT	DH-064A-R	1	
20	2294002501	WASHER		4	
21	2300014437	SCREW		4	14
22	2300014932	NUT		4	



NO.	ITEM NO.	ITEM	PIECES	TORQUE NM
1	2161000692	BATTERY COVER	1	
2	2161000700	BATTERY COVER	1	
3	2300013426	SCREW	2	5
4	2143003280	PLUG	1	
5	2300012101	SCREW	3	12
6	2300012112	SCREW	3	12
7	2258004943	CABLE GUIDE	1	
8	2300009458	SCREW	2	4
9	2300005272	SCREW	1	5
10	2311005101	DROPOUT DH-057 <i>see page 444</i>	1	
14	2143003213	ADAPTER CARRIER	2	
15	2298011131	SCREW	2	8
16		SMART ENTRY <i>see page 443</i>		

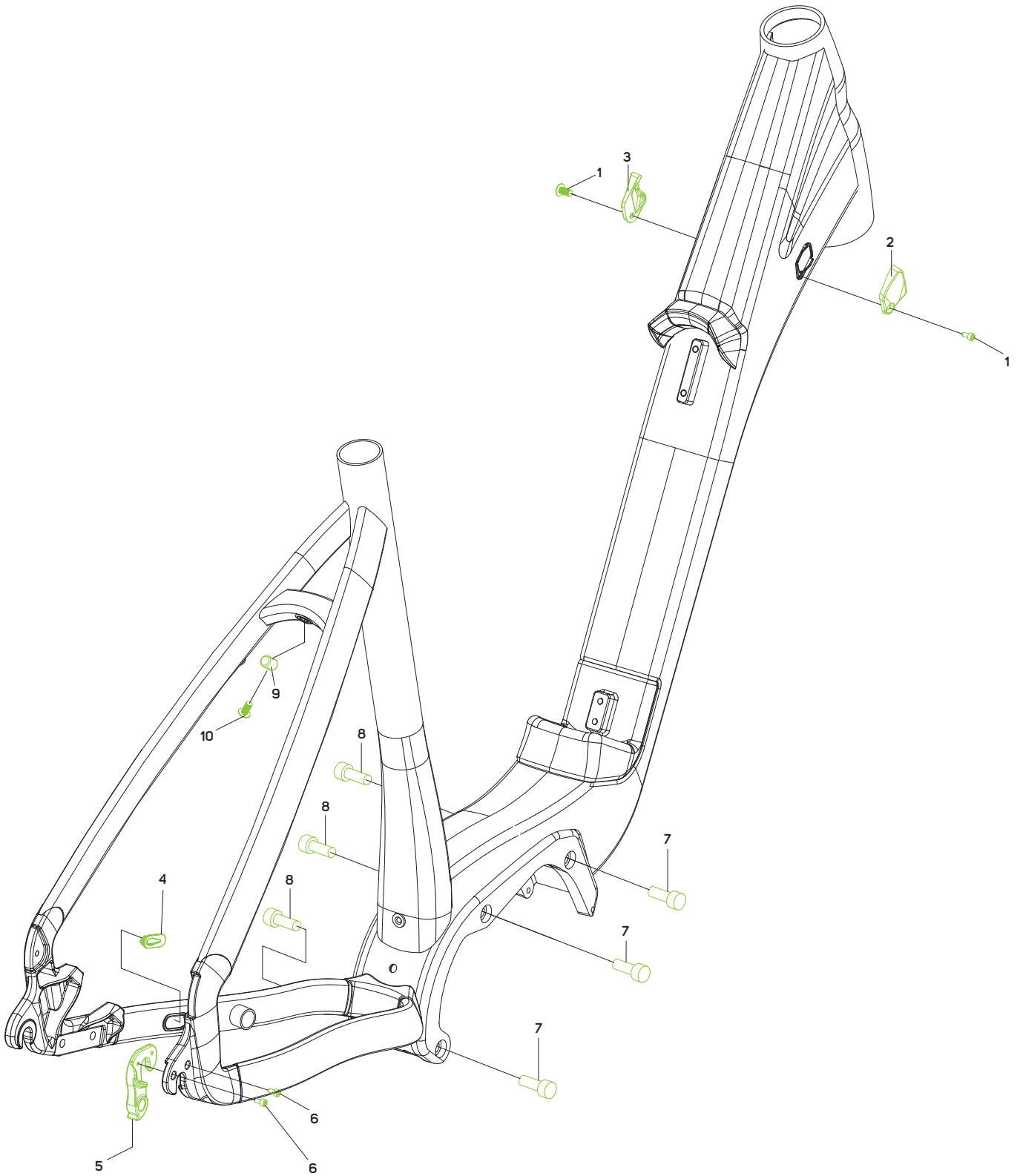
eSPRESSO TK

FRAME	LITE 650
MAX. WHEELSIZE	27,5x2.25"
HEAD TUBE	
TAPERED 1-1/8" - 1.5"	•
HEADSET	
SEMI-INTEGRATED (44-55 MM)	•
BRAKE STANDARD	
DISC BRAKE ON CHAIN STAY	•
POST MOUNT 180 MM REAR BRAKE	•
SEATPOST DIAMETER	
30.9 MM	•
REAR DROPOUT-STANDARD	
QUICK RELEASE 9X135 MM	•
CABLE ROUTING	
INTERNAL SHIFTING CABLES	•
INTERNAL BRAKE CABLE	•
INTERNAL SEAT POST CABLE	•
DI2-READY	
	•
EQUIPMENT OPTIONS	
HEBIE 40 MM	•
CARRIER MOUNT FRAME (RACKTIME E-TREKKING)	•
FENDER MOUNT FRAME	
FENDER MOUNT FORK	•
MOTOR INTERFACE	
	Shimano Type 2
BATTERY	
	Shimano EB010
SPEEDSENSOR MOUNT	
	SM-DUE10
RD HANGER	
	DH-013F



eSPRESSO LITE 650

	S(43)	M(48)	L(53)
FS frame size			
ST seat tube [mm]	430	480	530
TT top tube [mm]	588	605	623
HT head tube [mm]	170	190	210
HTA head tube angle [°]	68,5	68,5	68,5
STA seat tube angle [°]	73	73	73
CS chain stay length [mm]	445	445	445
BD bottom bracketed drop [mm]	50	50	50
FO fork length [mm]	484	484	484
S stack [mm]	641,5	661	679,5
R reach [mm]	391,5	403	415
WB wheel base [mm]	1114,5	1133	1152,5



NO.	ITEM NO.	ITEM	DETAIL INFORMATION	PIECES	TORQUE NM
1	2300011768	SCREW		2	
2	2258004222	CABLE GUIDE		1	
3	2258004211	CABLE GUIDE		1	
4	2258004943	CABLE GUIDE		1	
5	2311005167	HANGER	DH-013F	1	
6	2300000772	SCREW		2	4
7	2300013403	SCREW		3	16
8	2300013414	SCREW		3	16
9	2300011199	NUT		1	8
10	2300013027	SCREW		1	